



REFERENCE GUIDE

NEW LIFE TRANSPORT PARTS CENTER

9
EDITION

CATALOG

Foreward

Welcome to our latest catalog, where we proudly present the culmination of over 40 years of dedication and expertise at New Life Heavy Duty Trailer Parts.

At the heart of our success are our core values, which guide every aspect of our operations:

GLAD TO BE HERE: We take pride in our work and are grateful for the opportunity to serve you.

SIMPLIFY: We streamline processes to make your experience as effortless as possible.

PASSION: Our enthusiasm for what we do fuels our commitment to excellence.

HANDS-ON: We believe in a practical, hands-on approach to solving your needs.

CONSISTENCY: You can rely on us for dependable service and quality, time after time.

HUMILITY: We remain grounded and focused on continuous improvement.

WILLPOWER: Our determination drives us to overcome challenges and deliver results.

For over four decades, we have honed our skills in identifying and sourcing the parts that keep your operations running smoothly. Our team is trained and developed to ensure your part needs are met with a focus on building relationships that transcend a simple transaction. We pride ourselves on our personal touch and endeavor to ensure we cover all of your heavy-duty truck and trailer needs.

Thank you for choosing New Life Heavy Duty Trailer Parts. We look forward to continuing to serve you with the same dedication and excellence that have defined our legacy.

New Life Heavy Duty Trailer Parts commitment to you:

Delivering the Hardest Heavy Duty Solutions - Together!



HINTON TRANSPORTATION INVESTMENTS



www.hintoninvestments.com

Copyright © 2025 Hinton Transportation Investments, Inc.

FleetCraft® is a registered trademark of Jomar Qsub, Inc.

All rights reserved.

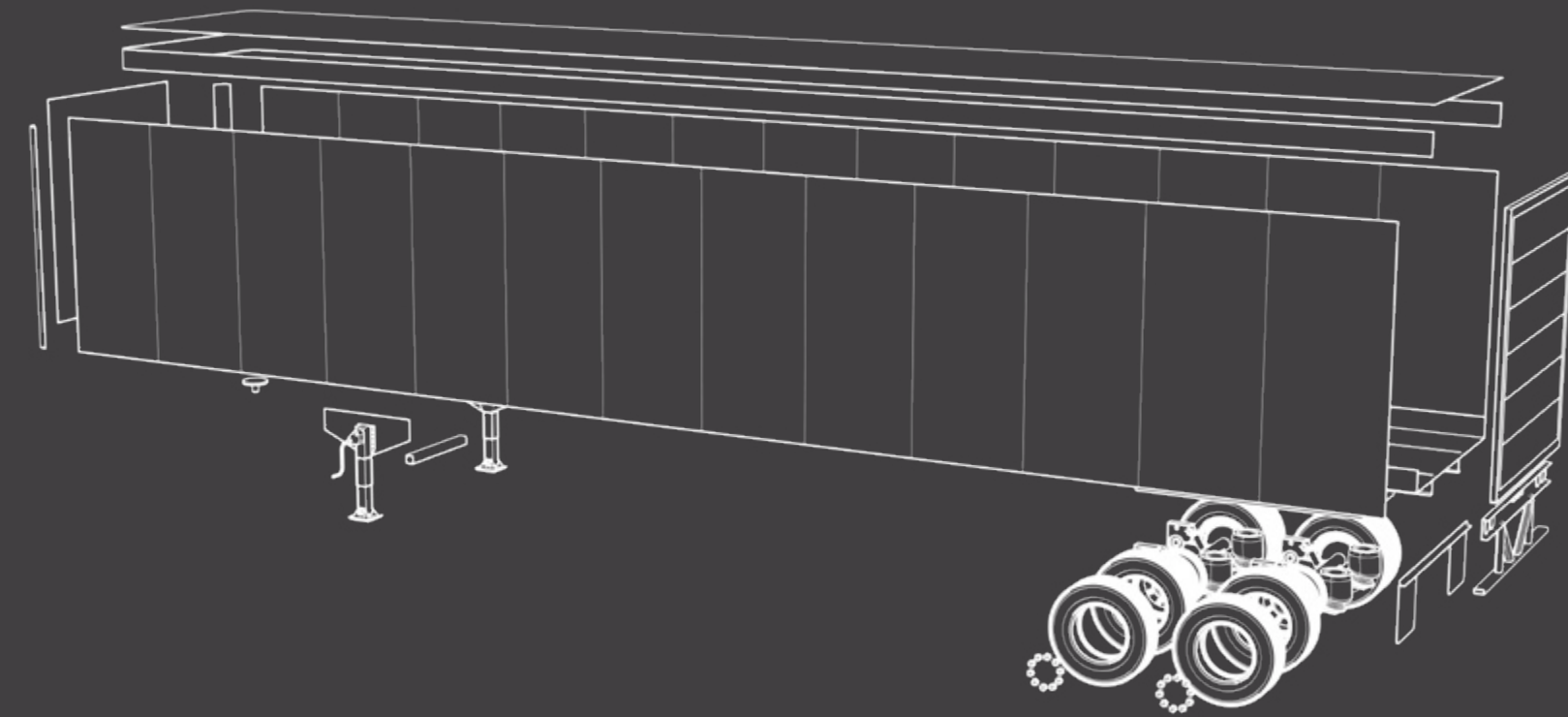
No part of this catalog may be reproduced or used in any manner without the prior written permission of the copyright owner.

This catalog does not replace the advice of an Original Equipment Manufacturer (OEM). Please consult your OEM representative for application specific inquiries.

HTI.2025.001.1



NEWLIFE
HEAVY DUTY TRAILER PARTS



Air Systems



Gladhands

180° Swivel Gladhands — 45° Angle Aluminum Body — 3/8" Open Port					
Part No.	Type	Seal	Bottom Port	Back Port	
441102	Service	Black Poly	Plugged	Open	
PHP12-4506		Rubber	--	--	
441103	Emergency	Black Poly	Plugged	Open	
PHP12-4508		Rubber	--	--	

Straight Gladhands—Aluminum Body—1/2" Open Port					
Part No.	Type	Seal	Filter	Plug	
441126	Service	Rubber	--	--	
PHP12-006			No	--	
441127	Emergency	Rubber	--	--	
PHP12-008			No	--	
441128	Universal	Rubber	--	--	
PHP12-010			No	--	

37° Gladhands — 3/8" Open Port					
Part No.	Type	Body	Seal	Filter	Plug
F36161	Service	Aluminum	Rubber	Yes	Yes
PHP12-236		Anodized	Blue Poly	Quick-Release	
F36261	Emergency	Aluminum	Rubber	Yes	Yes

Accessories

10177-141 Gladhand Lock w/ Key 	PHP12-012-100 Rubber Wide-Lip Seal 	PHP12-600 Aluminum Gladhand Grips
36407 Dummy Gladhand w/ Chain (Non-Vented) 	PHP12-038 Stainless Filter Screen 	GT-5340 Rubber Gladhand Grips
PHP15-041 Cable Holder - 1 Plug & 2 Gladhand 	PHP15-042 Cable Holder - 2 Plug & 2 Gladhand 	

Gladhand Poly Seals

Part No.	Type	Color	Material	Filter
GT-2601	Emergency	Red	Poly	--
GT-2601WS	Emergency	Red	Poly	Yes
GT-2602	Service	Blue	Poly	--
GT-2602WS	Service	Blue	Poly	Yes
GT-2603	Universal	Black	Poly	--
GT-2604	Universal	Black	Poly	Dustflap



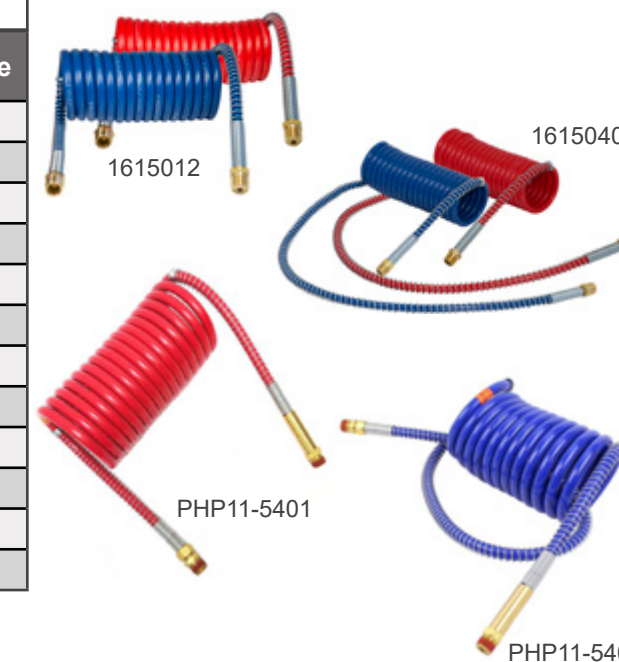
3-in-1

Air-Electric Cables — Plastic		
Part No.	Description	Length
163140	Service, Emergency, and 7-Way Spiral Wrapped Cables	12'
163141		15'



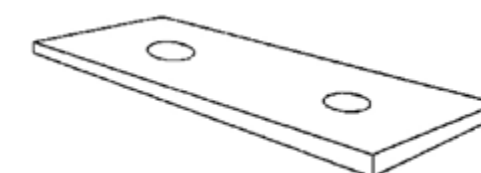
Coiled Air Lines

Nylon Coiled Air — 150 PSI Rating					
Part No.	Type	Working Length	Lead 1	Lead 2	Handle
1615012	Set	15'	12"	12"	No
1615040	Set	15'	12"	40"	No
7100130	Slider	54"	--	--	--
1615012B	Blue	15'	12"	12"	No
1615012R	Red	15'	12"	12"	No
1615040B	Blue	15'	12"	40"	No
1615040R	Red	15'	12"	40"	No
PHP11-340	Set	15'	1/2"	1/2"	Yes
PHP11-3400	Set	15'	12"	40"	Yes
PHP11-5400	Set	15'	40"	12"	Yes
PHP11-5401	Red	15'	40"	12"	Yes
PHP11-5402	Blue	15'	40"	40"	Yes



Air Tank Mounting Pad

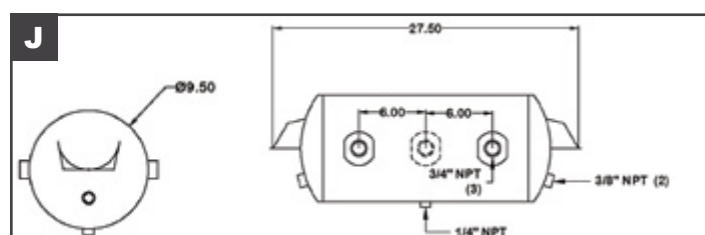
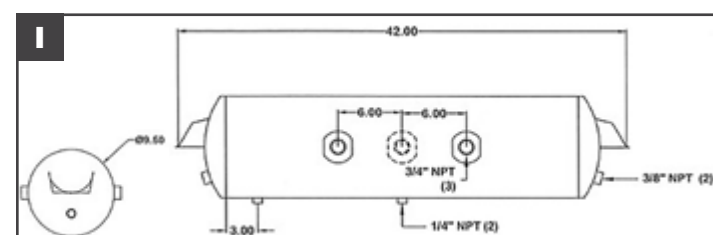
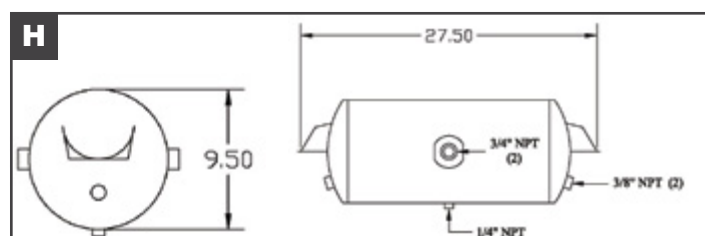
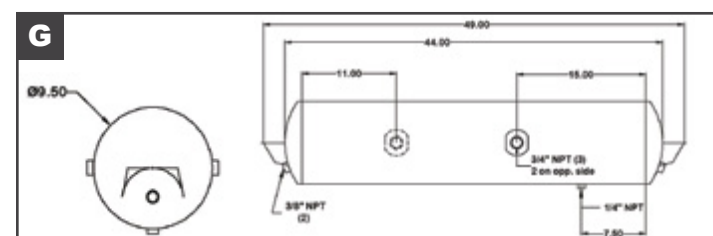
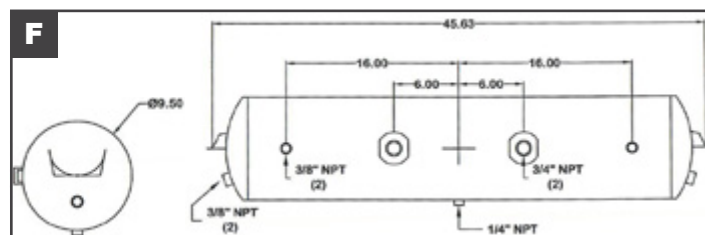
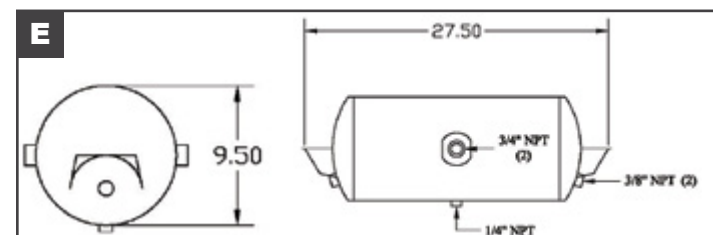
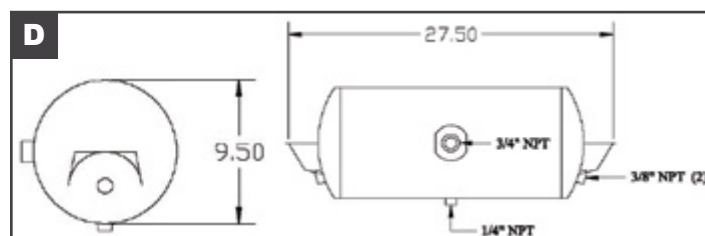
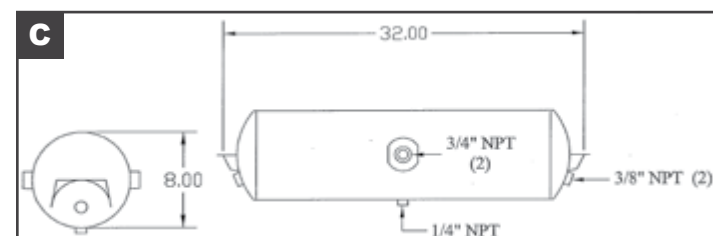
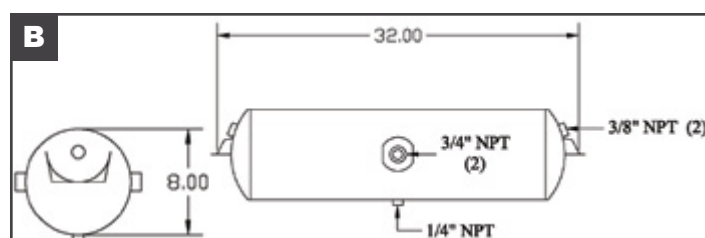
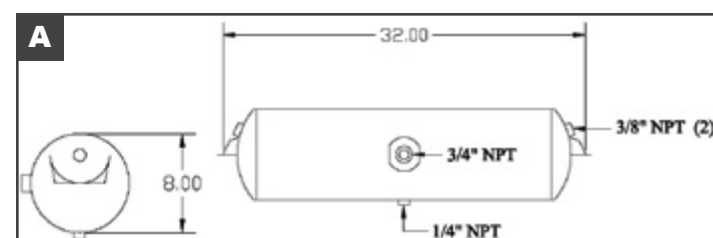
Part No.	Description	Width
HT-1068	Mounting Pad for Air Tanks, Rubber	3/16"



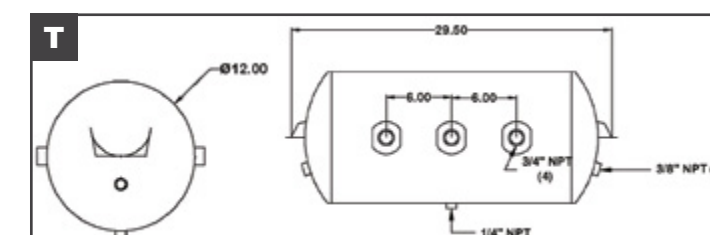
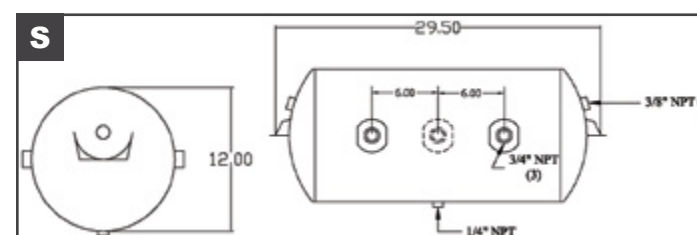
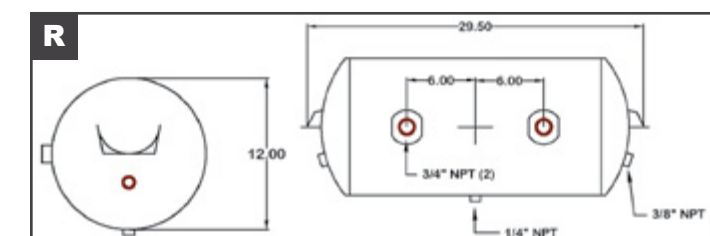
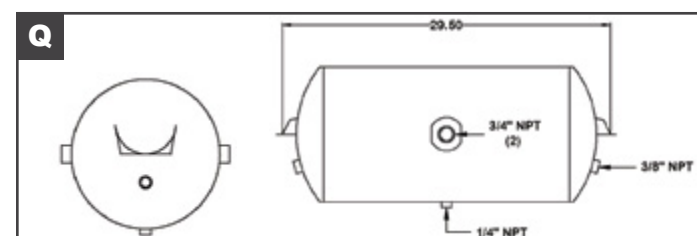
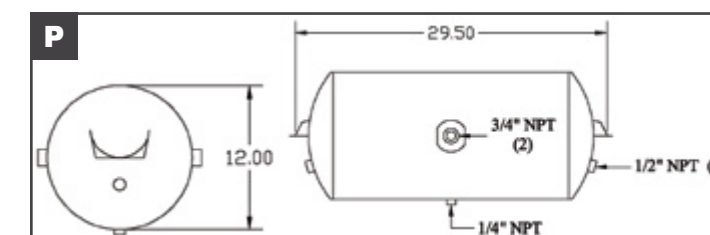
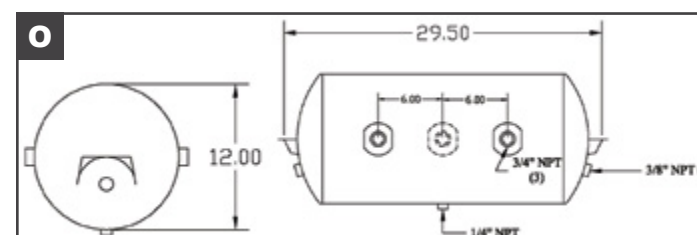
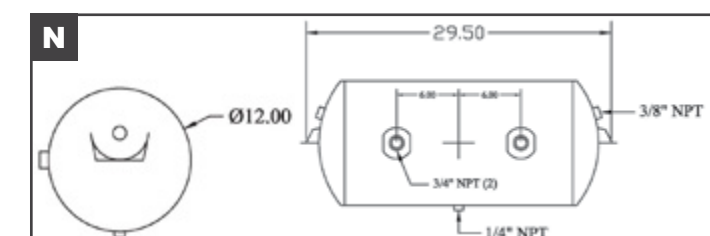
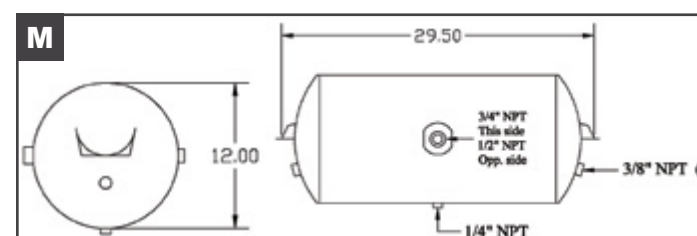
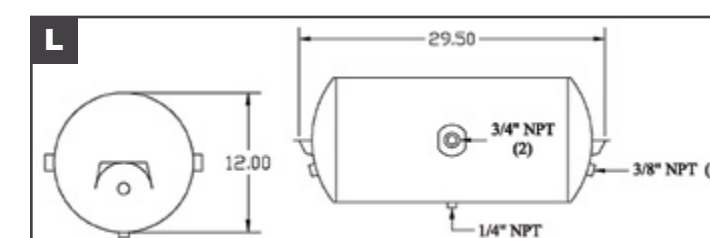
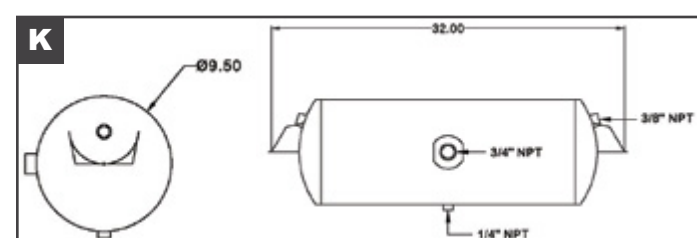


Air Tanks

Part No.	Image	Diameter	Length	Main Ports (NPT)	Drain Port (NPT)	End Port (NPT)
HT-1205	A	12"	29-1/2"	(2) 3/4"	(1) 1/4"	(2) 3/8"
HT-12100	B	12"	29-1/2"	(1) 1/2" (1) 3/4"	(1) 1/4"	(2) 3/8"
HT-1217	C	12"	29-1/2"	(2) 3/4"	(1) 1/4"	(2) 3/8"
HT-1219	D	12"	29-1/2"	(3) 3/4"	(1) 1/4"	(2) 3/8"
HT-1235	E	12"	29-1/2"	(2) 3/4"	(1) 1/4"	(2) 1/2"
HT-1242	F	12"	29-1/2"	(2) 3/4"	(1) 1/4"	(2) 3/8"
HT-1249	G	12"	29-1/2"	(2) 3/4"	(1) 1/4"	(2) 1/2"
HT-1254	H	12"	29-1/2"	(3) 3/4"	(1) 1/4"	(2) 1/2"
HT-1294	I	12"	29-1/2"	(4) 3/4"	(1) 1/4"	(2) 3/8"
HT-8001	J	8"	32"	(1) 3/4"	(1) 1/4"	(2) 3/8"



Part No.	Image	Diameter	Length	Main Ports (NPT)	Drain Port (NPT)	End Port (NPT)
HT-8007	K	8"	32"	(2) 3/4"	(1) 1/4"	(2) 3/8"
HT-8052	L	8"	32"	(2) 3/4"	(1) 1/4"	(2) 3/8"
HT-9500	M	9-1/2"	27-1/2"	(1) 3/4"	(1) 1/4"	(2) 3/8"
HT-9508	N	9-1/2"	27-1/2"	(2) 3/4"	(1) 1/4"	(2) 3/8"
HT-95155	O	9-1/2"	45.63	(2) 3/4"	(1) 1/4"	(2) 3/8"
HT-95239	P	9-1/2"	49"	(3) 3/4"	(1) 1/4"	(2) 3/8"
HT-9534	Q	9-1/2"	27-1/2"	(2) 3/4"	(1) 1/4"	(2) 3/8"
HT-95354	R	9-1/2"	42"	(3) 3/4"	(2) 1/4"	(2) 3/8"
HT-9553	S	9-1/2"	27-1/2"	(3) 3/4"	(1) 1/4"	(2) 3/8"
HT-9598	T	9-1/2"	32"	(1) 3/4"	(1) 1/4"	(2) 3/8"





Bendix



TABS-6™ Trailer ABS Module — Universal	
Part No.	Ports
BNX801856	DEL: 3/8" NPT (x4); SUP: 3/4"NPT; CON: 3/8" NPT

TABS-6™ Trailer ABS Module — 2S/1M		
Part No.	Ports	Note
BNXK109808	DEL: 3/8" NPT (x4); SUP: 3/4"NPT; CON: 3/8" NPT	ECU Only
BNXK100247	DEL: 3/8" NPT (x4); SUP: 3/4"NPT; CON: 3/8" NPT	Kit

Kit Includes	
• ECU Valve Assembly - 6 Port	• 90° Sensors (x2)
• Power Cable	• Sensor Extensions (x2)

TABS-6™ Advanced Trailer ABS with Roll Stability — 2S/1M		
Part No.	Ports	Mounting
BNXK029141	DEL: 3/8" NPT (x4); SUP: 3/4"NPT; CON: 3/8" NPT; LOAD: 3/8" NPT	270° w/ 10" Offset on Curbside

Trailer ABS Module — 4S/2M			
Part No.	Ports	Note	
BNXK108581	DEL: 3/8" NPT (x4); SUP: 3/4"NPT; CON: 3/8" NPT	TABS-6™	
BNXK109326	DEL: 3/8" NPT (x4); SUP: 3/4"NPT; CON: 3/8" NPT; LOAD: 3/8" NPT	TABS-6™ Advanced	

Power Cables			
Part No.	Length	Connection 1	Connection 2
BNX801996	60"	5-Way Sealed (Male)	5-Way Sealed (Female)

Extension Cables			
Part No.	Length	Connection 1	Connection 2
BNX802026	120"	2-Pin Standard (Socket)	2-Pin Standard (Plug)

Sensors			
Part No.	Body	Length	Connection
BNXK181268	Straight	78"	2-Pin Barrel Sealed (Conn7)
BNXK221564	90°	12"	2-Pin Barrel Sealed (Socket)
BNXK221570	90°	90"	2-Pin Barrel Sealed (Socket)

BNXK221570

Haldex



Part No.	Description
HLXAQ960510	ABS - Universal PLC 2S/1M Replacement Kit

Kit Includes	
• PLC Select Valve ECU Assembly - 6 Port	• 6.6' Sensor Extensions (x2)
• 19' Power Cord Extension	• Installation Instructions
	• PLC Service Manual

Part No.	Description
HLXAQ964110	ABS PLC Select ECU Upgrade Kit - 2S/1M

Kit Includes	
• 1M Power Cord Extension	• Tie Down Clips (HLXAL920809)
• 0.5M Sensor Extensions	
• PLC Select ECU & Bracket	



PLC Select 1M ECU		
Part No.	Application	Description
HLXAL919338	Multi-Axle (Non-Steer Axles)	• Wheel-speed Sensor and Trailer Power connects directly to ECU - No intermediate cables required • Single fastener design assures easy serviceability
HLXAL919339	Dollies & Single Axle	• Potted ECU Enclosure provides excellent protection from the environment • PLC Select 1M supports all 2S/1M applications

Haldex

FFABS Valves — 12V — 4.0PSI Crack Pressure		
Part No.	Ports	Priority
HLXAL430614	DEL: 3/8" (x4); SUP: 3/8" (w/ filter); CON: 3/8"; SBP: 3/8" (x4); RES: 1/2" 3/4" Nipple (Includes two pipe plugs in box for bottom ports)	Service Brake
HLXAL430668	DEL: 3/8" (x4); SUP: 3/8" (w/ filter); CON: 3/8"; SBP: 3/8" (x4); RES: 1/2" 3/4" Nipple	Service Brake
HLXAL430624	DEL: 3/8" (x4); SUP: 3/8" (w/ filter); CON: 3/8"; SBP: 3/8" (x4 w/ 2 pipe plugs for bottom ports); RES: 1/2" 3/4" Nipple	Spring Brake
HLXAL430664	DEL: 3/8" (x2); SUP: 3/8" (w/ filter); CON: 3/8"; SBP: 3/8" (x4); RES: 1/2" 3/4" Nipple	Spring Brake



ITCM ECU— 4S/2M or 2S/2M — 12V	
Part No.	Description
HLXAL919348	A7 for Multi-Axle
HLXAL919352	A8 BMS-3 for Dollies & Single Axle



Sensors — w/ Clip		
Part No.	Body	Length
HLXAL1027196	Straight	19.2"
HLXAL364071	90°	108"
HLX1810000	90°	19.2"



Relay Valves — 12V	
Part No.	Ports
HLXAL364040	DEL: 3/8" (x2); CON: 3/8"; RES: 1/2"



Power Cables — Blunt Cut 5-Pin		
Part No.	Length	ABS Lamp Lead
HLXAL918604	630"	315"
HLXAL918606	192"	120"



Part No.	Description
HLXAL920809	Retaining Clip for ABS Sensor Wire



WABCO

Enhanced Easy-Stop™—2S/1MRetrofitKit	
Part No.	Description
4006120000	ECU Valve Kit
4005001010	ECU Valve Assembly
S8946073120	12" Adapter Power Cable (Easy-Stop to Enhanced Easy-Stop)



Ports: DEL: 3/8" (x4); SUP: 3/4" (x2); CON: 3/8"

Enhanced Easy-Stop™—2M,3MRetrofitKit	
Part No.	Description
4006120100	ECU Valve Retrofit Kit
4005001030	ECU Valve Assembly
S8946073120	12" Adapter Power Cable (Easy-Stop to Enhanced Easy-Stop)



Ports: DEL: 3/8" (x6); SUP: 3/4" (x2); CON: 1/4"

Enhanced Easy-Stop™—2S/1MRetrofitKit	
Part No.	Description
4006120010	ECU Valve Kit w/ Y Adapter
4005001010	ECU Valve Assembly
S8946073130	Adapter Power Cable (With Diagnostic)



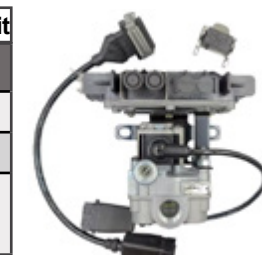
Ports: DEL: 3/8" (x4); SUP: 3/4" (x2); CON: 3/8"

Enhanced Easy-Stop™ — 4S/2MRetrofit Kit	
Part No.	Description
4006120110	ECU Valve Retrofit Kit
4005001030	ECU Valve Assembly
S8946073130	Adapter Power Cable (With Diagnostic)



Ports: DEL: 3/8" (x6); SUP: 3/4" (x2); CON: 1/4"

Enhanced Easy-Stop™—2S/1MRetrofitKit	
Part No.	Description
4006120120	TCS2 ECU Valve Kit
4005001040	ECU Valve Assembly
S8946073120	12" Adapter Power Cable (Easy-Stop to Enhanced Easy-Stop)



Ports: DEL: 3/8" (x2); SUP: 3/4" (x2); CON: 3/8"

Universal — 2S/1M Retrofit Kit	
Part No.	Description
4006120160	Universal ABS Retrofit Kit
4005001010	ECU Valve Assembly



Includes: 14' Power Cable, Sensors w/ 18" Leads (x2), 6' Sensor Extension Cables (x2), Sensor Clips (x2)
Ports: DEL: 3/8" (x4); SUP: 3/4" (x2); CON: 3/8"



WABCO

WABCO



4006120090

ECAS Solenoid Modulator Valve Kit

Part No.	Description
4006120090	Modulator Valve Kit (For Trailers Prior to 4/1/99)
4721950330	Relay Only
8946011322	3-Pole Adapter Cable - 6"

Ports: DEL: 3/8" (x4); SUP: 3/4" (x2); CON: 3/8"



WBC4005004200

Air Valves — iABS Modules

Part No.	Description
WBC4005003200	2S/1M Standard
WBC4005004200	2S/2M, 4S/2M Standard



WBC4497330180

iABS Power Cables

Part No.	Length
WBC4493060300	118"

iABS Extension Cables

Part No.	Length
WBC4497330180	70.9"
WBC4497330300	118"

WABCO's iABS Trailer ABS is an electronic, self-monitoring system that works with standard air brakes. In addition, iABS includes Power Line Carrier (PLC) capability and CAN capability.



4005001030

Enhanced Easy-Stop™ — 2S/1M Basic

Part No.	Description
4005001010	ECU Valve Assembly
4461082010	ECU Only
4721950330	Relay Only

Ports: DEL: 3/8" (x4); SUP: 3/4" (x2); EXH: 3/4"; CON: 3/8"

Enhanced Easy-Stop™ — 4S/2M Premium

Part No.	Description
4005001030	ECU Valve Assembly
4008506010	ECU Only
4008506020	Relay Only

Ports: DEL: 3/8" (x6); SUP: 3/4" (x2); CON: 1/4"



4005001040

Enhanced Easy-Stop™ — 2S/2M Standard

Part No.	Description
4005001020	ECU Valve Assembly
4008506000	ECU Only
4008506020	Relay Only

Ports: DEL: 3/8" (x6); SUP: 3/4" (x2); CON: 1/4"

Enhanced Easy-Stop™ — 2S/1M MAR

Part No.	Description
4005001040	ECU Valve Assembly
4461082040	ECU Only
4721950330	Modulator Valve - Bayonet
4784070584	Bracket

Ports: DEL: 3/8" (x4); SUP: 3/4" (x2); CON: 3/8"



4493510100

Power Cables — Blunt Cut to 4-Pin

Part No.	Length
4493150300	120"
4493151500	588"

Power Cables — Standard to 4-Pin

Part No.	Length
8946049440	36"
8946060380	185"



4325000050

Power Cables — Roll Stability Support Plus

Part No.	Length
4493510100	39.4"
WBC4493510470	185"

Control Line Filter — Mounts at Gladhand

Part No.	Ports
4325000050	1/2" (x2)

90° Right Angle Sensor Kits

Fleet-Craft	WABCO	Cable Lead
FC5335	4410309072	12"
FC5336	4410309182	36"
FC5341	4410309092	70"
FC5342	4410309102	78"



FC5335

90° Right Angle Sensors (Sensor Only)

Part No.	Cable Lead
1810002	12"



Sensor Accessories

Part No.	Description
S2255U1113	Sensor Holder (Welded to Axle Spindle)
1810001	Sensor Clip



S2255U1113

1810001

Straight Sensor Kits

FleetCraft	WABCO	Cable Lead
--	4410309042	39.4"
FC5329	4410309172	67"
FC5338	4410309082	70"



FC5329

Sensor Extension Cables

Part No.	Length
FC7130180	72"
4497130180	120"
4497130300	180"
4493260470	180"
4497130500	192"



FC7130180


Sensor Extension Cables — Roll Stability Support Plus

Part No.	Length	Connection 1	Connection 2
4497230180	185"	2-Pin Standard (Plug)	4-Pin (Code A)







Brake/Spring Brakes




Trailer Emergency Valve—Spring Brake Priority	
Part No.	Ports
51301	DEL: 3/8" (x4); SUP: 1/4"; CON: 1/4"; RES: 3/4"



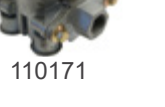
Standard Spring Brake Control Valve	
Part No.	Ports
110500	DEL: 3/8" (x4); SUP: 3/8"; CON: 3/8"; RES: 1/2"




Protected Reservoir Spring Brake Control Valves		
Part No.	Ports	Cover Plate
110170	DEL: 3/8" (x4); SUP: 3/8"; CON: 3/8"; RES-A: 1/2"; RES-B: 1/2"	Standard
110171	DEL: 3/8" (x4); SUP: 3/8"; CON: 3/8"; RES-A: 1/2"; RES-B: 3/8"	90°



Enhanced Spring Brake Control Valve	
Part No.	Ports
110700	DEL: 3/8"; SUP: 3/8"; CON: 3/8"; RES: 1/2"
110800	DEL: 3/8" (x4); SUP: 3/8"; CON: 3/8"; RES: 1/2"



Supply & Control Ports In-line with Reservoir Ports	
Part No.	Ports
110171	DEL: 3/8" (x4); SUP: 3/8"; CON: 3/8"; RES-A: 1/2"; RES-B: 3/8"



SR-5 Spring Brake Valve	
Part No.	Ports
BNXK033221	DEL: 3/8" (x4); SUP: 1/4"; RES: 1/4" (x2); TSP: 1/4"; SBP: 3/4" (w/ Check Valve)
BNXK033223	DEL: 3/8" (x4); SUP: 1/4"; RES: 1/4" (x2); TSP: 1/4"; SBP: 1/2" (w/ Check Valve)

BNXK033221

Relay

Service Relay Valves			
Part No.	Ports	Crack Press.	Delivery
110410	DEL: 3/8"; CON: 3/8"; RES: 1/2"	4.0 PSI	Vertical
110415	DEL: 3/8" (x4); CON: 3/8"; RES: 3/4"	4.0 PSI	Vertical



110410

R-12 Relay Valves			
Part No.	Ports	Crack Press.	Delivery
BNX065104	DEL: 3/8" (x4); SUP: 1/2"; CON: 1/4"	4.0 PSI	Vertical
BNX065125	DEL: 1/2" (x2); SUP: 1/2" (x2); CON: 1/4"	5.5 PSI	Horizontal



BNX065104

Emergency Relay Valves			
Part No.	Ports	Crack Press.	Delivery
110470	DEL: 3/8" (x4); SUP: 3/8"; CON: 3/8"; RES: 3/4"	4.5 PSI	Vertical



FAB Relay Valves			
Part No.	Ports	Crack Press.	Delivery
HLXKN28300	DEL: 1/2" (x2); SUP: 1/2" (x2); CON: 3/8"	0 PSI	Horizontal



FF2 - Full Function Trailer Valves			
Part No.	Ports	Crack Pressure	Delivery Orientation
FC28600	DEL: 3/8" (x4); SUP: 3/8"; CON: 1/4"; RES: 3/4"; SBP: 3/8" (x2)	3.0 PSI	Vertical
HLXKN28600	DEL: 3/8" (x4); SUP: 3/8"; CON: 1/4"; RES: 3/4"; SBP: 3/8" (x2)	3.0 PSI	Vertical
FC28601	DEL: 3/8" (x4); SUP: 3/8"; CON: 1/4"; RES: 1/2"; SBP: 3/8" (x2)	3.0 PSI	Vertical
HLXKN28601	DEL: 3/8" (x4); SUP: 3/8"; CON: 1/4"; RES: 1/2"; SBP: 3/8" (x2)	3.0 PSI	Vertical




FC28600



HLXKN28601

Control / Flipper



Flipper Lever Control Valves		
Part No.	All Ports	Notes
21600	1/8" NPT	With Face Plate
FC229635	1/8" NPT	Substitute for BNX229635N
BNX229635N	1/8" NPT	TW-1™



Manually Operated On/Off Valve	
Part No.	All Ports
HLX90054088	1/8" NPT

Height Control/Leveling Valves



HLX90555100



HND057977-000



HNDAKEM0005-1

Height Control Valves					
Part No.	Ports	Arm	Dump	Application	Notes
HLX90054007	All Ports: 1/8" (x3) w/ 1/4" fitting	4.125", 7.125"	No	OE on Truck/Trailer	--
HLX90555100	DEL: 3/8" (x2); SUP: 3/8"; PIL: 1/4" (Push to Connect Fittings)	5.5" w/ Vertical Adjustment	Yes	?	PR Plus; Side Manifold
HND057977-000	All Ports: 1/4" (x5)	7" w/ Vertical Adjustment	Yes	Truck	Dump Valve Kit
HNDVS-227	All Ports: 1/4" (x3)	Dual Length Arm; 5", 6.8", 7.5"	No	Trailer	--
HNDVS-228	All Ports: 1/4" (x5)	Lever Arm: 5", 7.4", or 8.5"	Yes	Trailer	--
HNDVS-27116	DEL: 3/8" (x2); SUP: 1/4" (x2); PIL: 1/4"; DMP: 3/8"	8.5"	Yes	?	--

Manual Dump Valve Kit — 1/4" Ports (x4)	
Part No.	Description
HNDAKEM0005-1	Kit (includes HNDVS-30428 & HNDVS-30427)
HNDVS-30428	Manual Push/Pull Dump Valve
HNDVS-30427	Mounting Bracket



HNDVS-30428

Linkage Components	
Part No.	Description
HNDVS-14187	Bolt-On Adjustable Link Assembly
HLX48100225	19-5/8" Max Adjustable Linkage
HLX48100267	13-1/2" Max Adjustable Linkage
HLX90054630	Universal Connector

Pressure Protection

Pressure Protection Valves				
Part No.	Img	Ports	Open Pressure	Closed Pressure
140280	A	3/8" NPT	--	70 PSI
HLX90554107	B	1/4" NPT	75 PSI	70 PSI
HLX90555396	C	1/4" NPT	70 PSI	65 PSI
HNDVS-38941	D	1/4" NPT	75 PSI	70 PSI
VLV032218	E	In: 1/2" NPTM; Out: 3/8" NPTF	55 PSI	45 PSI

Emergency Control Pressure Protection Valves			
Part No.	Ports	Open Pressure	Closed Pressure
110257	3/8" NPT	75 PSI	70 PSI

Note: Does not interchange with other pressure protection valves due to the special back flow.



Solenoid

3-Way Electric Solenoid Valves — 12V		
Part No.	Ports	Position
HLX90054074	1/4" NPT Ports	Normally Closed
HLX90054075	1/4" NPT Ports	Normally Open

Note: Not intended to be used as a dump valve



HLX90054074

4-Way Electric Solenoid Valves — 12V		
Part No.	Ports	Operating Pressure
VLV320178	1/4" FPT Ports (x5)	100 PSI



Quick Release



Quick Release Valves — 0 PSI Crack Pressure		
Part No.	Ports	Notes
FC289714	DEL: 3/8" (x2); SUP: 1/4"; BAL: 1/4" (All Ports Female NPT)	Fleetcraft Replacement for Bendix QR-1C®
BNX289714N	DEL: 3/8" (x2); SUP: 1/4"; BAL: 1/4" (All Ports Female NPT)	QR-1C® Series Double Check Valve
BNXOR289714X	DEL: 3/8" (x2); SUP: 1/4"; BAL: 1/4" (All Ports Female NPT)	QR-1C® Series Double Check — Remanufactured Coreless
BNX800333	DEL: 1/2" (Female); SUP: 1/2" (Male)	QR-L™ Series Inline — Dust Shield (x2)
BNXOR229859X	DEL: 3/8" (x2); SUP: 3/8" (All Ports Female NPT)	QR-1® Series — Coreless

Air Systems | Valves

Air Systems | Valves



Suspension



3-Way Pilot Valve — Remote Mount	
Part No.	Ports
HLX90554615	N/O: 1/4"; N/C: 1/4"; SUS: 1/4"; PILOT: 1/8"



Hand Operated Push Pull Valve		
Part No.	Ports	Pop Pressure
HLXKN20012	DEL: 1/4"; EXH: 1/4"	0 PSI



3-Way Ball Valve	
Part No.	Ports
HNDVS-22535	1/4" NPT Ports



Hand Control Valve		
Part No.	Ports	Pressure
EUCE4329	1/4" NPT Ports	50-120 PSI



HNDVS-25223

Quik-Draw® 3-Way Auto Reset Valves		
Part No.	Ports	Notes
HNDVS-25223	1/4" NPT Ports	--
HNDVS-25224	1/4" NPT Ports	w/ Fittings



HNDAKAD2010-1

LiftAxle Control Kits—Stainless Steel Enclosure		
Part No.	Ports	Notes
HNDAKAD2010-1	DEL: 3/8" (x6 w/ 2 plugs); SUP: 3/8";	Base Model
HNDAKAD2011-2	EXH: 1/8" & 1/4"	Regulator & Gauge

Air Dryers

AD-9® — 12V/75W — 1/2" Port			
Part No.	Description	Purge	Includes
FC65225	New Unit w/ Bracket	Hard	Mounting Hardware
BNX065225	New Unit w/ Bracket	Hard	Mounting Hardware
BNX109685X	Remanufactured Exchange	Hard	Dryer Only
BNX107794X	Replacement Cartridge	--	O-Ring & Grease
BNX5004341X	Purge Valve Kit	Soft	Purge Valve, Mounting Hardware, O-Rings & Grease

AD-SP® — 12V/90W — 1/2" Port			
Part No.	Description	Purge	Includes
BNX800887	New Unit w/o Pigtail	Soft	Dryer Only
BNX5008414	Replacement Cartridge	--	O-Ring & Grease
BNX109995	Purge Valve Kit	Soft	Purge Valve, Piston, O-Ring, Spring, Exhaust Cover, & Retaining Ring

AD-IP® — 12V/90W — 1/2" Port			
Part No.	Description	Purge	Includes
BNX065612	New Unit w/ Bracket	Hard	Mounting Hardware
BNX109477X	Reman Exchange w/ Bracket	Hard	Mounting Hardware
FC065624	Replacement Cartridge	--	O-Ring & Grease
BNX109493X	Replacement Cartridge	--	O-Ring & Grease
BNXK022105	Purge Valve Kit	Hard	Purge Valve, Piston, O-Ring, Spring, Exhaust Cover, & Retaining Ring

AD-IS® — 12V/90W — 1/4" Port			
Part No.	Description	Purge	Includes
FC801266	New Unit	Hard	Dryer Only
BNX801266	New Unit	Hard	Dryer Only
BNX5010696X	Remanufactured Exchange	Hard	Dryer Only
BNX5008414	Replacement Cartridge	--	O-Ring & Grease
FC022105	Purge Valve Kit	Hard	Purge Valve, Piston, O-Ring, Spring, Exhaust Cover, & Retaining Ring
BNXK022105	Purge Valve Kit	Hard	Purge Valve, Piston, O-Ring, Spring, Exhaust Cover, & Retaining Ring

SS1200 Exclusive — 12V/100W — 1/2" Port		
Part No.	Description	Includes
4324711010	New Coalesce Air Dryer	Turbo Cut-Off Valve, Mounting Bracket, Hardware
4329012482	New Coalesce Cartridge	O-Ring
4324209232	Standard Cartridge	O-Ring
4324139292	Purge Valve Kit	Purge Valve, Piston, O-Ring, Spring, Exhaust Cover, & Retaining Ring



4324711010

4324139292



FC65225

BNX5004341X



BNX800887

BNX109995



BNX065612

BNX109493X



BNX801266

BNXK022105

FC022105

Governors — 100-120 PSI		
Part No.	Description	Includes
FC275491	New D-2	Gasket & Plugs
BNX275491N	New D-2	Gasket & Plugs
BNXOR275491X	Reman D-2	Gasket & Plugs



FC275491



Flare



48F-4-2

Male Connector — Brass		
Part No.	Thread 1	Tube 1
48F-10-8	1/2"	5/8"
48F-4-2	1/8"	1/4"
48F-6-4	1/4"	3/8"
48F-6-6	3/8"	3/8"
48F-8-6	3/8"	1/2"
48F-8-8	1/2"	1/2"



149F-10-8

Male Elbow — Brass		
Part No.	Thread 1	Tube 1
149F-4-4	1/4"	1/4"
149F-10-8	1/2"	5/8"



Union — Brass		
Part No.	Tube 1	Tube 2
42F-10	5/8"	5/8"

Hose Barb



S125-6-8

Hose Barb to Male Pipe — Brass		
Part No.	Thread 1	Tube 1
S125-10-12	3/4"	5/8"
S125-10-8	1/2"	5/8"
S125-12-8	1/2"	3/4"
S125-6-8	1/2"	3/8"
S125-8-8	1/2"	1/2"

Nylon Tube Assembly



269NTA-12-12

Male Elbow — Brass					
Part No.	Thread 1	Tube 1	Part No.	Thread 1	Tube 1
269NTA-4-2	1/8"	1/4"	269NTA-8-4	1/4"	1/2"
269NTA-4-4	1/4"	1/4"	269NTA-8-6	3/8"	1/2"
269NTA-4-6	3/8"	1/4"	269NTA-8-8	1/2"	1/2"
269NTA-4-8	1/2"	1/4"	269NTA-10-6	3/8"	5/8"
269NTA-6-2	1/8"	3/8"	269NTA-10-8	1/2"	5/8"
269NTA-6-4	1/4"	3/8"	269NTA-10-12	3/4"	5/8"
269NTA-6-6	3/8"	3/8"	269NTA-12-8	1/2"	3/4"
269NTA-6-8	1/2"	3/8"	269NTA-12-12	3/4"	3/4"



264NTA-10

Union Tee — Brass			
Part No.	Tube 1	Tube 2	Tube 3
264NTA-4	1/4"	1/4"	1/4"
264NTA-6	3/8"	3/8"	3/8"
264NTA-8	1/2"	1/2"	1/2"
264NTA-10	5/8"	5/8"	5/8"



279NTA-6-6

45° Elbow — Brass		
Part No.	Thread 1	Tube 1
279NTA-4-2	1/8"	1/4"
279NTA-6-2	1/8"	3/8"
279NTA-6-4	1/4"	3/8"
279NTA-6-6	3/8"	3/8"
279NTA-6-8	1/2"	3/8"
279NTA-8-4	1/4"	1/2"
279NTA-8-6	3/8"	1/2"
279NTA-8-8	1/2"	1/2"
279NTA-10-8	1/2"	5/8"

Nylon Tube Assembly

Male Run Tee — Brass					
Part No.	Thread 1	Tube 1	Part No.	Thread 1	Tube 1
271NTA-4-2	1/8"	1/4"	271NTA-6-6	3/8"	3/8"
271NTA-4-4	1/4"	1/4"	272NTA-8-4	1/4"	1/2"
271NTA-6-4	1/4"	3/8"	271NTA-8-6	3/8"	1/2"



271NTA-4-2

Male Branch Tee — Brass		
Part No.	Thread 1	Tube 1
272NTA-4-2	1/8"	1/4"
272NTA-4-4	1/4"	1/4"
272NTA-6-4	1/4"	3/8"
272NTA-6-6	3/8"	3/8"
272NTA-8-6	3/8"	1/2"



272NTA-6-6

Union — Brass		
Part No.	Tube 1	Tube 2
62NTA-4	1/4"	1/4"
62NTA-6	3/8"	3/8"
62NTA-8	1/2"	1/2"
62NTA-10	5/8"	5/8"
62NTA-12	3/4"	3/4"



62NTA-10

Male Connector — Brass					
Part No.	Thread 1	Tube 1	Part No.	Thread 1	Tube 1
68NTA-4-2	1/8"	1/4"	68NTA-8-4	1/4"	1/2"
68NTA-4-4	1/4"	1/4"	68NTA-8-6	3/8"	1/2"
68NTA-4-6	3/8"	1/4"	68NTA-8-8	1/2"	1/2"
68NTA-6-2	1/8"	3/8"	68NTA-10-6	3/8"	5/8"
68NTA-6-4	1/4"	3/8"	68NTA-10-8	1/2"	5/8"
68NTA-6-6	3/8"	3/8"	68NTA-10-12	3/4"	5/8"
68NTA-6-8	1/2"	3/8"	68NTA-12-8	1/2"	3/4"
			68NTA-12-12	3/4"	3/4"



68NTA-10-8

Insert — Stainless	
Part No.	Tube 1
63NTA-4	1/4"
63NTA-6	3/8"
63NTA-8	1/2"
63NTA-10	5/8"
63NTA-12	3/4"



63NTA-8

Sleeve — Brass	
Part No.	Tube 1
60NTA-4	1/4"
60NTA-6	3/8"
60NTA-8	1/2"
60NTA-10	5/8"
60NTA-12	3/4"



60NTA-8

Nut — Brass	
Part No.	Tube 1
61NTA-4	1/4"
61NTA-6	3/8"
61NTA-8	1/2"
61NTA-10	5/8"
61NTA-12	3/4"



61NTA-10



Pipe



2214P-2-2

45° Street Elbow — Brass		
Part No.	Thread 1	Thread 2
2214P-2-2	1/8"	1/8"
2214P-4-4	1/4"	1/4"
2214P-6-6	3/8"	3/8"
2214P-8-8	1/2"	1/2"



2202P-2-2

90° Street Elbow — Brass		
Part No.	Thread 1	Thread 2
2202P-2-2	1/8"	1/8"
2202P-4-2	1/4"	1/8"
2202P-4-4	1/4"	1/4"
2202P-6-6	3/8"	3/8"
2202P-8-8	1/2"	1/2"



2200P-4-4

90° Union Elbow — Brass		
Part No.	Thread 1	Thread 2
2200P-2-2	1/8"	1/8"
2200P-4-4	1/4"	1/4"
2200P-6-6	3/8"	3/8"
2200P-8-8	1/2"	1/2"



213P-4

FPT Cap — Brass	
Part No.	Thread 1
213P-4	1/4"
213P-6	3/8"
213P-8	1/2"



222P-4-4

Female x Male Adapter — Brass		
Part No.	Thread 1	Thread 2
222P-4-2	1/4"	1/8"
222P-4-4	1/4"	1/4"
222P-6-2	3/8"	1/8"
222P-6-4	3/8"	1/4"
222P-6-6	3/8"	3/8"
222P-8-4	1/2"	1/4"
222P-8-6	1/2"	3/8"
222P-12-8	1/2"	3/4"



209P-8-6

Male x Female Bushing — Brass		
Part No.	Thread 1	Thread 2
209P-4-2	1/4"	1/8"
209P-6-2	3/8"	1/8"
209P-6-4	3/8"	1/4"
209P-8-2	1/2"	1/8"
209P-8-4	1/2"	1/4"
209P-8-6	1/2"	3/8"
209P-12-4	3/4"	1/4"
209P-12-6	3/4"	3/8"
209P-12-8	3/4"	1/2"



207P-6

Coupling — Brass		
Part No.	Thread 1	Thread 2
207P-2	1/8"	1/8"
207P-4	1/4"	1/4"
207P-6	3/8"	3/8"
207P-8	1/2"	1/2"
207P-12	3/4"	3/4"



208P-6-2

Reducer Coupling — Brass		
Part No.	Thread 1	Thread 2
208P-6-2	3/8"	1/8"
208P-6-4	3/8"	1/4"
208P-8-6	1/2"	3/8"



215PN-12

Close Nipple — Brass		
Part No.	Thread 1	Thread 2
215PN-2	1/8"	1/8"
215PN-4	1/4"	1/4"
215PN-6	3/8"	3/8"
215PN-8	1/2"	1/2"
215PN-12	3/4"	3/4"



216P-4

Hex Nipple — Brass		
Part No.	Thread 1	Thread 2
216P-2	1/8"	1/8"
216P-4	1/4"	1/4"
216P-6	3/8"	3/8"
216P-8	1/2"	1/2"



216P-6-4

Hex Nipple Reducer — Brass		
Part No.	Thread 1	Thread 2
216P-6-4	3/8"	1/4"

Long Nipple — Brass

Part No.	Thread 1	Thread 2
215PNL-4-15	1/4"	1/4"
215PNL-4-20	1/4"	1/4"
215PNL-6-15	3/8"	3/8"
215PNL-6-20	3/8"	3/8"
215PNL-8-25	1/2"	1/2"



215PNL-4-15

Street Tee — Brass

Part No.	Thread 1	Thread 2	Thread 3
2225P-2	1/8"	1/8"	1/8"
2225P-4	1/4"	1/4"	1/4"
2225P-6	3/8"	3/8"	3/8"
2225P-8	1/2"	1/2"	1/2"



2225P-4

Plug Hex Head — Brass

Part No.	Thread 1
218P-2	1/8"
218P-4	1/4"
218P-6	3/8"
218P-8	1/2"
218P-12	3/4"



218P-6

Countersunk Plug Hex Head — Brass

Part No.	Thread 1
219P-4	1/4"
219P-6	3/8"



219P-4

Plug Square Head — Brass

Part No.	Thread 1
211P-2	1/8"
211P-4	1/4"
211P-6	3/8"
211P-8	1/2"
211P-12	3/4"



211P-12

Branch Tee — Brass

Part No.	Thread 1	Thread 2	Thread 3
2224P-4	1/4"	1/4"	1/4"
2224P-6	3/8"	3/8"	3/8"
2224P-8	1/2"	1/2"	1/2"



2224P-4

Union Tee — Brass

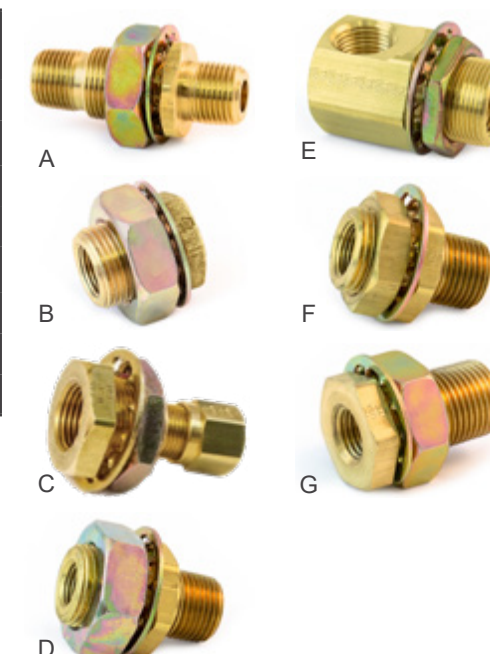
Part No.	Thread 1	Thread 2	Thread 3
2203P-2	1/8"	1/8"	1/8"
2203P-4	1/4"	1/4"	1/4"
2203P-6	3/8"	3/8"	3/8"
2203P-8	1/2"	1/2"	1/2"



2203P-4

Bulkhead Fittings

Part No.	Image	Thread 1	Thread 2	Thread 3	Length
55600	A	1/2"	1"	1/4"	2.88"
55607	B	1"	3/8"	--	1.31"
55608	C	1/2"	3/8" Tube	--	--
55609	C	3/8"	3/8" Tube	--	--
55615	D	1/2"	1"	1/4"	2.13"
TRA55616M	E	3/8"	3/8"	--	--
55620	F	1/2"	1"	3/8"	1.69"
55661	G	1/4"	3/4"	--	--





Push to Connect — Alkon

Push to Connect — Alkon



AQ54-DOT-4X2

45° Elbow — Brass		
Part No.	Thread 1	Tube 1
AQ54-DOT-4X2	1/8"	1/4"
AQ54-DOT-4X4	1/4"	1/4"
AQ54-DOT-6X2	1/8"	3/8"
AQ54-DOT-6X4	1/4"	3/8"
AQ54-DOT-6X6	3/8"	3/8"
AQ54-DOT-6X8	1/2"	3/8"
AQ54-DOT-8X4	1/4"	1/2"
AQ54-DOT-8X6	3/8"	1/2"
AQ54-DOT-8X8	1/2"	1/2"
AQ54-DOT-10X6	3/8"	5/8"
AQ54-DOT-10X8	1/2"	5/8"
AQ54-DOT-12X8	1/2"	3/4"



AQ54-DOTS-4X2

45° Swivel Elbow — Brass		
Part No.	Thread 1	Tube 1
AQ54-DOTS-4X2	1/8"	1/4"
AQ54-DOTS-4X4	1/4"	1/4"
AQ54-DOTS-6X2	1/8"	3/8"
AQ54-DOTS-6X4	1/4"	3/8"
AQ54-DOTS-6X6	3/8"	3/8"
AQ54-DOTS-6X8	1/2"	3/8"
AQ54-DOTS-8X4	1/4"	1/2"
AQ54-DOTS-8X6	3/8"	1/2"
AQ54-DOTS-8X8	1/2"	1/2"
AQ54-DOTS-10X8	1/2"	5/8"



AQ69-DOT-8X4

90° Elbow — Brass		
Part No.	Thread 1	Tube 1
AQ69-P-2X2	1/8"	1/8"
AQ69-P-15625X2	1/8"	5/32"
AQ69-DOT-8X4	1/4"	1/2"



AQ69-DOTS-4X2

90° Swivel Elbow — Brass		
Part No.	Thread 1	Tube 1
AQ69-DOTS-4X2	1/8"	1/4"
AQ69-DOTS-4X4	1/4"	1/4"
AQ69-DOTS-4X6	3/8"	1/4"
AQ69-DOTS-6X2	1/8"	3/8"
AQ69-DOTS-6X4	1/4"	3/8"
AQ69-DOTS-6X6	3/8"	3/8"
AQ69-DOTS-6X8	1/2"	3/8"
AQ69-DOTS-8X4	1/4"	1/2"
AQ69-DOTS-8X6	3/8"	1/2"
AQ69-DOTS-8X8	1/2"	1/2"
AQ69-DOTS-10X6	3/8"	5/8"
AQ69-DOTS-10X8	1/2"	5/8"
AQ69-DOTS-12X8	1/2"	3/4"



AQ68-P-2X2

Male Connector — Brass		
Part No.	Thread 1	Tube 1
AQ68-P-2X2	1/8"	1/8"
AQ68-P-15625X2	1/8"	5/32"
AQ68-DOT-3X2	1/8"	1/5"
AQ68-DOT-4X2	1/8"	1/4"
AQ68-DOT-4X4	1/4"	1/4"
AQ68-DOT-4X6	3/8"	1/4"
AQ68-DOT-6X2	1/8"	3/8"
AQ68-DOT-6X4	1/4"	3/8"
AQ68-DOT-6X6	3/8"	3/8"
AQ68-DOT-6X8	1/2"	3/8"
AQ68-DOT-8X4	1/4"	1/2"
AQ68-DOT-8X6	3/8"	1/2"
AQ68-DOT-8X8	1/2"	1/2"
AQ68-DOT-10X6	3/8"	5/8"
AQ68-DOT-10X8	1/2"	5/8"
AQ68-DOT-12X12	3/4"	3/4"



AQ59-P-4

Plug — Nylon	
Part No.	Tube 1
AQ59-P-4	1/4"
AQ59-P-6	3/8"
AQ59-P-8	1/2"

Branch Tee — Brass			
Part No.	Thrd 1	Tube 1	Tube 2
AQ72-DOT-4X4	1/4"	1/4"	1/4"
AQ72-DOT-6X4	1/4"	3/8"	3/8"
AQ72-DOT-6X6	3/8"	3/8"	3/8"
AQ72-DOT-8X6	3/8"	1/2"	1/2"



AQ72-DOT-4X4

Run Tee — Brass			
Part No.	Thrd 1	Tube 1	Tube 2
AQ71-DOT-4X4	1/4"	1/4"	1/4"
AQ71-DOT-6X4	1/4"	3/8"	3/8"
AQ71-DOT-6X6	3/8"	3/8"	3/8"
AQ71-DOT-8X6	3/8"	1/2"	1/2"



AQ71-DOT-4X4

Union Tee — Brass			
Part No.	Tube 1	Tube 2	Tube 3
AQ64-DOT-4	1/4"	1/4"	1/4"
AQ64-DOT-8	1/2"	1/2"	1/2"
AQ64-DOT-6	3/8"	3/8"	3/8"



AQ64-DOT-4

Swivel Branch Tee — Brass			
Part No.	Thrd 1	Tube 1	Tube 2
AQ72-DOTS-4X2	1/8"	1/4"	1/4"
AQ72-DOTS-4X4	1/4"	1/4"	1/4"
AQ72-DOTS-6X4	1/4"	3/8"	3/8"
AQ72-DOTS-6X6	3/8"	3/8"	3/8"
AQ72-DOTS-8X6	3/8"	1/2"	1/2"



AQ72-DOTS-4X2

Swivel Run Tee — Brass			
Part No.	Thrd 1	Tube 1	Tube 2
AQ71-DOTS-4X2	1/8"	1/4"	1/4"
AQ71-DOTS-4X4	1/4"	1/4"	1/4"
AQ71-DOTS-6X4	1/4"	3/8"	3/8"
AQ71-DOTS-6X6	3/8"	3/8"	3/8"
AQ71-DOTS-8X6	3/8"	1/2"	1/2"



AQ71-DOTS-4X2

Union — Brass		
Part No.	Tube 1	Tube 2
AQ62-P-2	1/8"	1/8"
AQ62-P-15625	5/32"	5/32"
AQ62-DOT-4	1/4"	1/4"
AQ62-DOT-6	3/8"	3/8"
AQ62-DOT-8	1/2"	1/2"
AQ62-DOT-10	5/8"	5/8"
AQ62-DOT-12	3/4"	3/4"



AQ62-P-2



PTC — Phillips QWIK-FIT™



PHP12-90044

Bulkhead Union — Composite			
Part No.	Tube 1	Tube 2	
PHP12-90044	1/4"	1/4"	
PHP12-90088	1/2"	1/2"	



PHP12-P5022

Straight Union — Composite			
Part No.	Tube 1	Tube 2	
PHP12-95022	1/8"	1/8"	
PHP12-95055	5/32"	5/32"	
PHP12-951010	5/8"	5/8"	



PHP12-93064

Male Connector — Composite			
Part No.	Thread 1	Tube 1	
PHP12-93064	1/4"	3/8"	
PHP12-93066	3/8"	3/8"	
PHP12-93086	3/8"	1/2"	



PHP12-98044

45° Elbow — Composite			
Part No.	Thread 1	Tube 1	
PHP12-98044	1/4"	1/4"	
PHP12-98064	1/4"	3/8"	



PHP12-94044

90° Elbow — Composite			
Part No.	Thread 1	Tube 1	
PHP12-94044	1/4"	1/4"	
PHP12-94068	1/2"	3/8"	
PHP12-94086	3/8"	1/2"	



PHP12-91066

90° Union Elbow — Composite			
Part No.	Tube 1	Tube 2	
PHP12-91066	3/8"	3/8"	
PHP12-91088	1/2"	1/2"	



PHP12-96444

Union Tee — Composite				
Part No.	Tube 1	Tube 2	Tube 3	
PHP12-96444	1/4"	1/4"	1/4"	
PHP12-96888	1/2"	1/2"	1/2"	



PHP12-99066

Male Run Tee — Composite			
Part No.	Thread 1	Tube 1	
PHP12-99066	3/8"	3/8"	

ABS Valve Mounting Nipples



6006

Mounting Nipples — 1-5/8" Long			
Part No.	Thread 1	Thread 2	
6002S	1/2"	1/2"	
6003	3/4"	1/2"	
6006	3/4"	3/4"	

Drain Valves



PHP12-820

Part No.	Description
FC12104	Drain Valve - 48" Cable
FC12105	Drain Valve - 60" Cable
PHP12-820	HD Drain Valve 1/4" NPT, 60" Cable w/ Loose Crimp

Reusable Air Brake Hose Fittings

NPTF Male Fitting Assembly (w/Spring Guard)			
For 3/8" Hose		For 1/2" Hose	
Part No.	NPTF	Part No.	NPTF
11900	1/4"	11801	3/8"
11901	3/8"	11802	1/2"
11902	1/2"		



11900

NPTF Male Fitting Assembly (w/o Spring Guard)			
For 3/8" Hose		For 1/2" Hose	
Part No.	NPTF	Part No.	NPTF
11903	1/4"	11804	3/8"
11904	3/8"	11805	1/2"
11905	1/2"		



11903



Nut — for fitting w/o Spring	
Part No.	Hose Size
11906	3/8"



11912

Ferrule	
Part No.	Hose Size
11912	3/8"
11812	1/2"



Body — for 3/8" Hose	
Part No.	NPTF
11908	3/8"



11913

Union Assembly	
Part No.	Hose Size
11913	3/8"
11813	1/2"

Air Brake Hose End Fitting Repair Kits w/Swivel		
Part No.	Hose	NPTF
31402	3/8"	3/8"
31403	3/8"	1/2"
31305	1/2"	3/8"



31402

- 31402 Contains 2 fittings to equip one hose.
- Meets the requirements of DOT 106 and SAE J1402.
- Each kit contains two corrosion resistant brass and nylon fittings with swivel ends.

Bulk Air Brake Hose — Black Rubber		
Part No.	ID	Length
1014307-25	3/8"	25'
1014307-50	3/8"	50'
1014307-150	3/8"	150'
1014307-250	3/8"	250'
1014310-25	1/2"	25'
1014310-50	1/2"	50'
1014310-250	1/2"	250'



1014307-250



Rubber Air Brake Hose Assemblies

Dual Swivel (164XX, 168XX)			
3/8" Hose — 1/4"-18 NPTF Fittings			
Part No.	Length	Part No.	Length
16420	20"	16436	36"
16424	24"	16440	40"
16426	26"	16444	44"
16428	28"	16448	48"
16432	32"	16466	66"

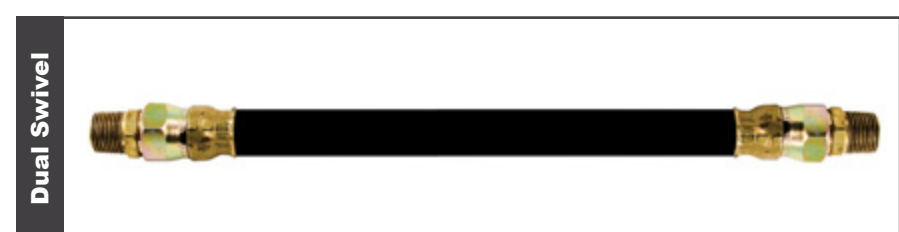
- Single Swivel Hoses (160XX, 166XX, 163XX)**
- Permanent Fittings
 - Meets All SAE J1402 & DOT 106 Specifications
 - TYPE B

Single Swivel Hoses (160XX, 166XX, 163XX)			
3/8" Hose — 1/4"-18 NPTF Fittings			
Part No.	Length	Part No.	Length
16024	24"	16036	36"
16030	30"	16048	48"

7/16" Hose — 3/8"-18 NPTF Fittings			
Part No.	Length	Part No.	Length
16818	18"	16842	42"
16824	24"	16844	44"
16828	28"	16848	48"
16830	30"	16854	54"
16832	32"	16860	60"
16836	36"	16872	72"
16840	40"	--	--

- Dual Swivel (164XX, 168XX)**
- Minimum burst pressure of 900 PSI
 - Maximum operating pressure of 225 PSI
 - Conforms to SAE J1402 specifications
 - Operating temperature of -40°F to +200°F

3/8" Hose — 3/8"-18 NPTF Fittings					
Part No.	Lg	Part No.	Lg	Part No.	Lg
16614	14"	16630	30"	16644	44"
16618	18"	16632	32"	16648	48"
16620	20"	16634	34"	16654	54"
16622	22"	16636	36"	16660	60"
16624	24"	16638	38"	16672	72"
16626	26"	16640	40"	16674	74"
16628	28"	16642	42"	16684	84"



7/16" Hose — 3/8"-18 NPTF Fittings			
Part No.	Length	Part No.	Length
16318	18"	16338	38"
16320	20"	16340	40"
16322	22"	16342	42"
16324	24"	16344	44"
16326	26"	16348	48"
16328	28"	16354	54"
16330	30"	16360	60"
16332	32"	16372	72"
16334	34"	16374	74"
16336	36"	16384	84"

Slider Hose Assemblies



BB7820-108

Rubber Hose & NTA Bulkhead Fittings				
Part No.	Length	Hose	Fitting	Springs
BB7820-108	108"	3/8"	1/2"	--
SS7820-108	108"	3/8"	3/8"	--
SS7420-114	114"	1/4"	3/8"	--
SS7820-114	114"	3/8"	3/8"	--
SBH6609-117	117"	3/8"	3/8"	--
SBH6609-129	129"	3/8"	3/8"	--

Type A & B SAE J844 DOT Tubing

Type A Nylon Tubing — 150 PSI Rating			
Part No.	Color	OD	Length
1610004-100	Black	1/4"	100'
1610004-1000	Black	1/4"	1000'



1610004-100

Type B Nylon Tubing — 150 PSI Rating			
Part No.	Color	OD	Length
1610006-100	Black	3/8"	100'
1610006-500	Black	3/8"	500'
1610006BLUE-100	Blue	3/8"	100'
1610006BLUE-500	Blue	3/8"	500'
1610006G-100	Green	3/8"	100'
1610006G-500	Green	3/8"	500'
1610006R-100	Red	3/8"	100'
1610006R-500	Red	3/8"	500'
1610008-100	Black	1/2"	100'
1610008-500	Black	1/2"	500'
1610008BLUE-100	Blue	1/2"	100'
1610008BLUE-500	Blue	1/2"	500'
1610008R-100	Red	1/2"	100'
1610008R-500	Red	1/2"	500'
1610010-50	Black	5/8"	50'



1610006-10



1610006BLUE-100



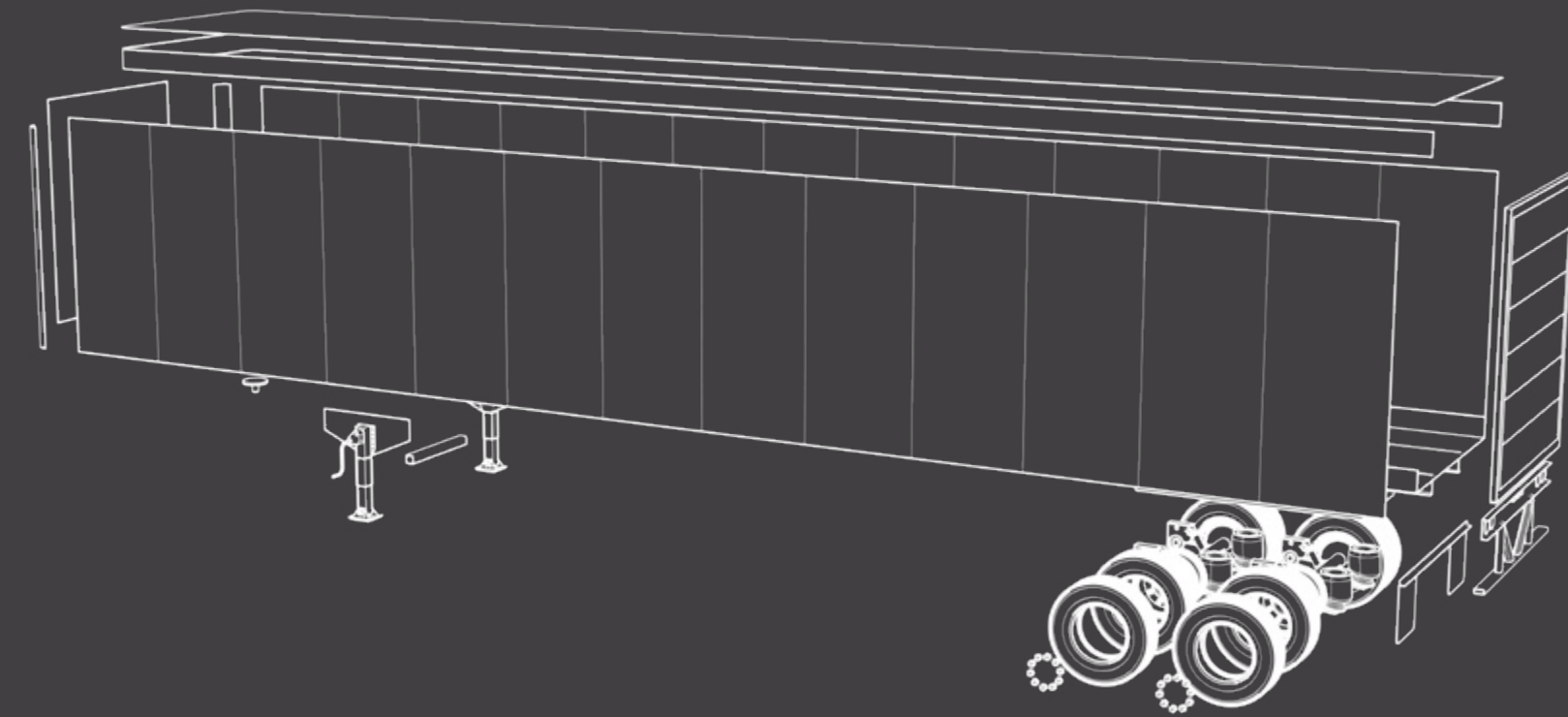
1610006G-100



1610006R-100



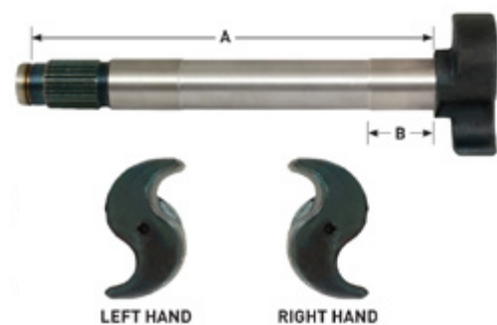
NEWLIFE
HEAVY DUTY TRAILER PARTS



Axle Components



Camshafts & Kits



Camshafts — 1.5" 28-Spline						
Part No.	Side	Length A	B	Brake	Bushing Kit	
HNDS-24636-1L	LH	11-1/32"	--	16.5" INTRAAX	HNDS-28890, HNDS-31964, NL4400	
HNDS-24636-1R	RH	11-1/32"	--	16.5" INTRAAX	HNDS-28890, HNDS-31964, NL4400	
NL1970	LH	11-1/32"	--	16.5" INTRAAX	HNDS-28890, HNDS-31964, NL4400	
NL1971	RH	11-1/32"	--	16.5" INTRAAX	HNDS-28890, HNDS-31964, NL4400	
MER2210D6868	RH	24-1/16"	--	16.5" Q+	MERKIT8078A, MERKIT8091, NL1417	
MER2210E6869	LH	24-1/16"	--	16.5" Q+	MERKIT8078A, MERKIT8091, NL1417	

Kits — 1.5" Diameter

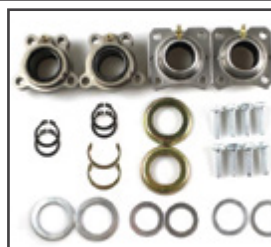
Part No.	Description	Brake	Includes
NL4400	Fleetcraft Camshaft Tube Service Kit	16.5" INTRAAX	--
HNDS-28890	Hendrickson Camshaft Tube Service Kit	16.5" INTRAAX	--
HNDS-31964	Hendrickson S-Cam Overhaul Kit w/o Cam Tubes	16.5" INTRAAX	--
NL1417	Fleetcraft Camshaft Bushing Kit for Rockwell - Late Trailer w/ Fabricated Spider	16.5" Q+	--
MERKIT8078A	Meritor Bolt-On Bushing Kit - 1 Wheel End (Half Kit)	16.5" Q+	--
MERKIT8091	Meritor Bolt-On Bushing Kit - 2 Wheel Ends (Full Kit)	16.5" Q+	--



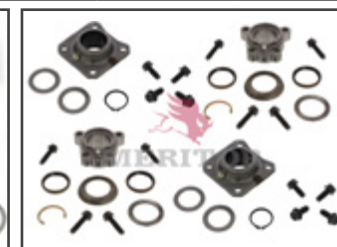
NL4400 | HNDS-28890



HNDS-31964



NL1417



MERKIT8078A



MERKIT8091

Chambers

Air Disc Brakes — 1824			
Part No.	Manufacturer	Stroke	Notes
BNXK132352	Bendix	2.25"	Unhanded, ABD22X, 15mm Push Rod
1824.D	Fleetcraft	2.5"	Unhanded
HNDS-40881-L	Hendrickson	2.5"	Lefthand
HNDS-40881-R	Hendrickson	2.5"	Righthand



Spring Brakes — 3030				
Part No.	Img	Manuf.	Strk	Notes
1010451	--	Fleetcraft	2.5"	INTRAAX®, 12.5" Push Rod
1010470	A	Fleetcraft	2.5"	Sealed Unit
BNXK129605	B	Bendix	2.5"	Welded Clevis, 11.1" Push Rod
HLXGC3030	C	Haldex	2.5"	Gold Seal, Clevis Included
HLXLC3030	--	Haldex	2.5"	Life Seal, Clevis Included, 10" Push Rod
HLXLC3030S5CW	D	Haldex	2.5"	Life Seal, Welded Clevis
1010455	--	Fleetcraft	3.0"	Welded Clevis, Navistar, Freightliner
1010476	E	Fleetcraft	3.0"	Sealed Unit, 12.5" Push Rod
HLXGC3030L	F	Haldex	3.0"	Gold Seal, Clevis Included



Piggyback Kits — 3030			
Part No.	Manufacturer	Stroke	Notes
1010453BX	Fleetcraft	2.5"	Clamp & Diaphragm
1010457BX	Fleetcraft	3.0"	Clamp & Diaphragm
1010473	Fleetcraft	2.5"	--

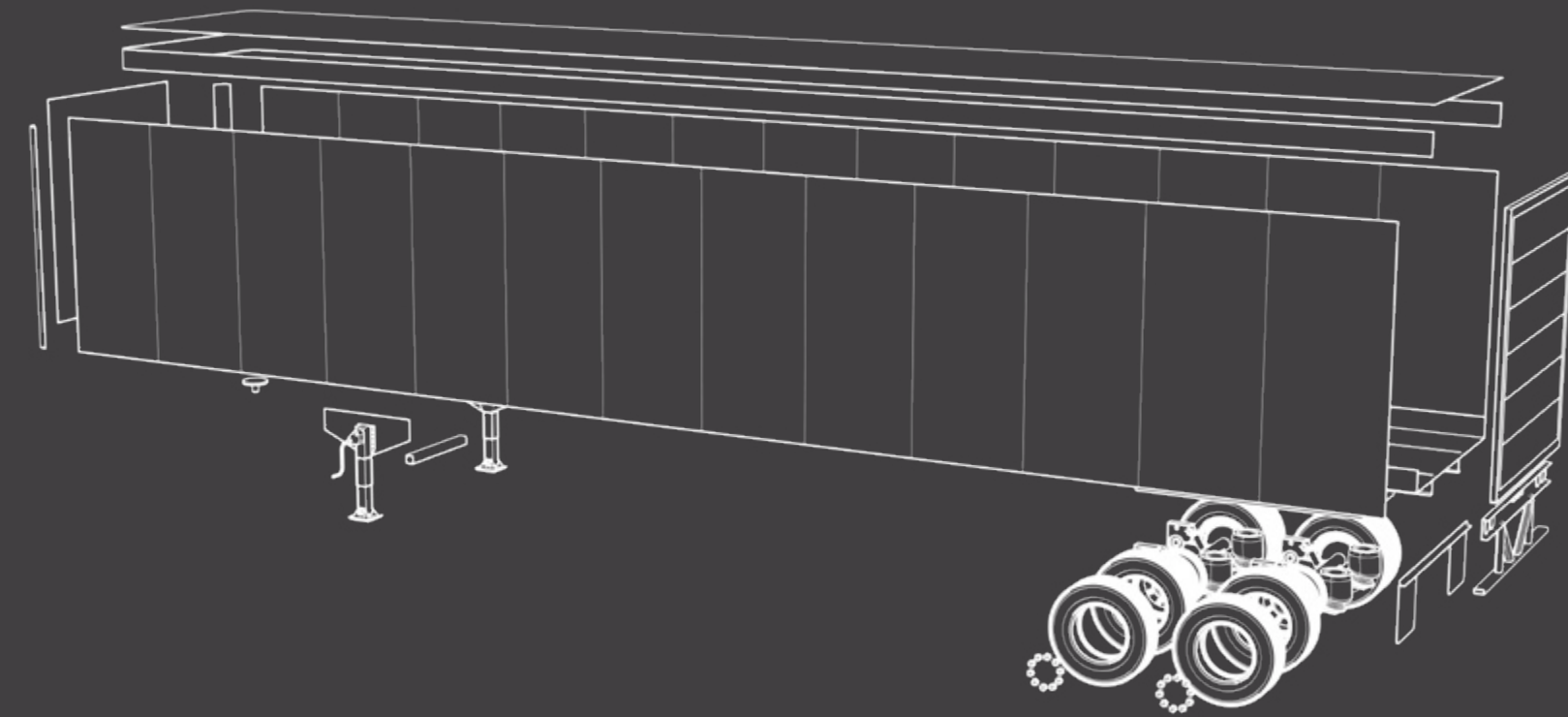


Chamber Bracket	
Part No.	Notes
MER3299A5981	Fits 5" Round Axle





NEWLIFE
HEAVY DUTY TRAILER PARTS



Brakes



IDENTIFY BRAKE PLATFORMS



Flat Bolt-On Retainer Bar



Meritor



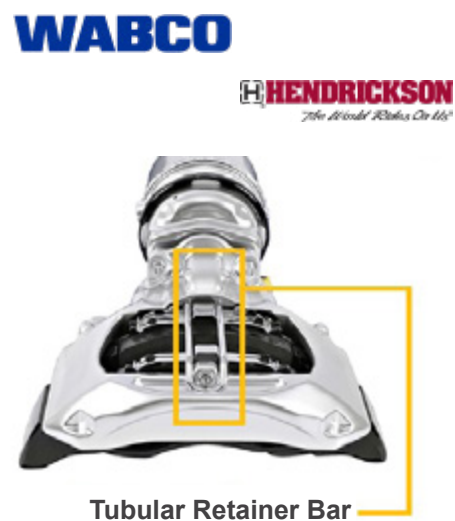
Haldex



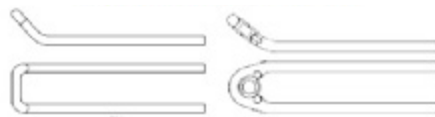
Cotter Pin



Bendix



Tubular Retainer Bar

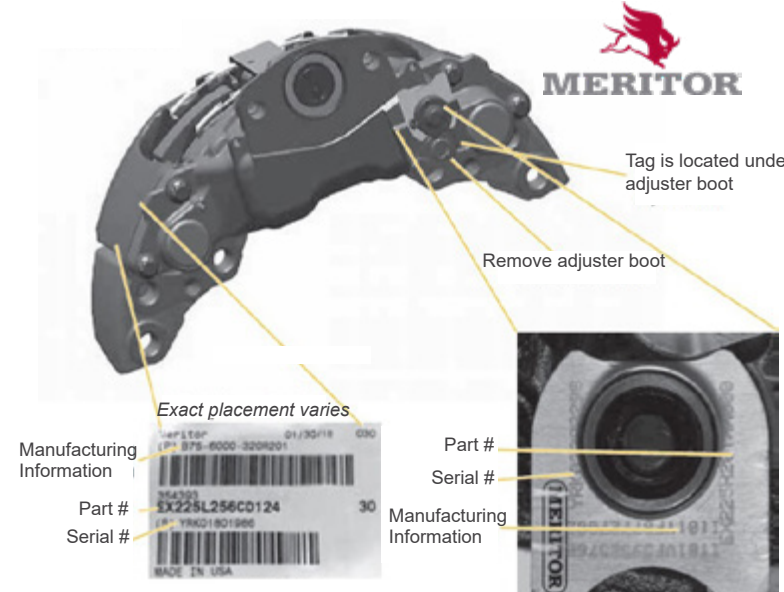


Wabco

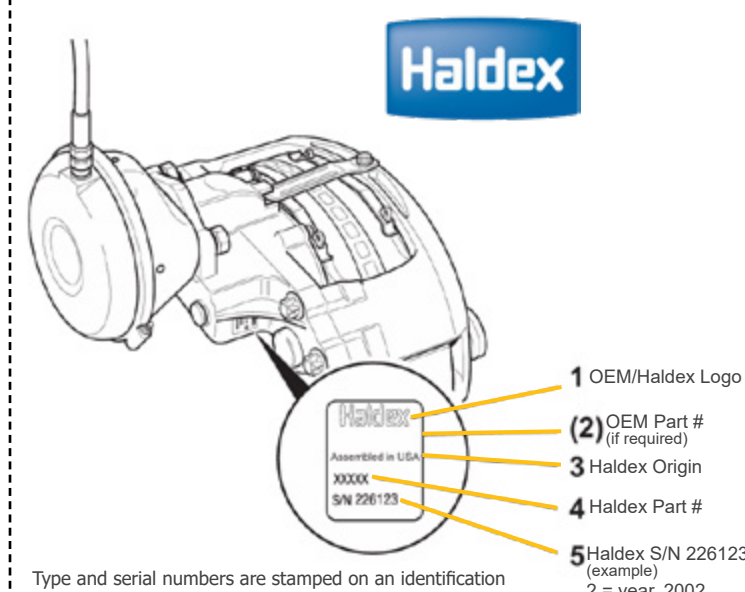


Hendrickson

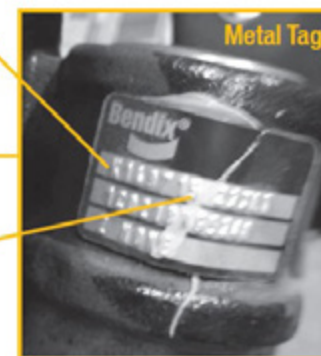
LOCATE PART & SERIAL NUMBERS



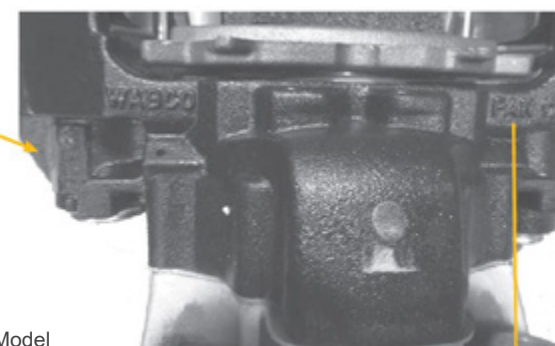
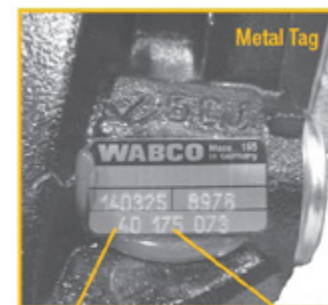
Remove Protective Cap to left of bolt is Part Number engraved in metal plate.
To right of bolt is Serial Number engraved in metal plate.
Protective cap must be replaced.



Type and serial numbers are stamped on an identification plate fixed to the caliper.



Information is located in a similar location for Bendix & SAF Holland.



Information is located in a similar location for Bendix & SAF Holland.

IDENTIFY AIR DISC ROTOR TYPES

U-Type



Hat Type



Flat Type



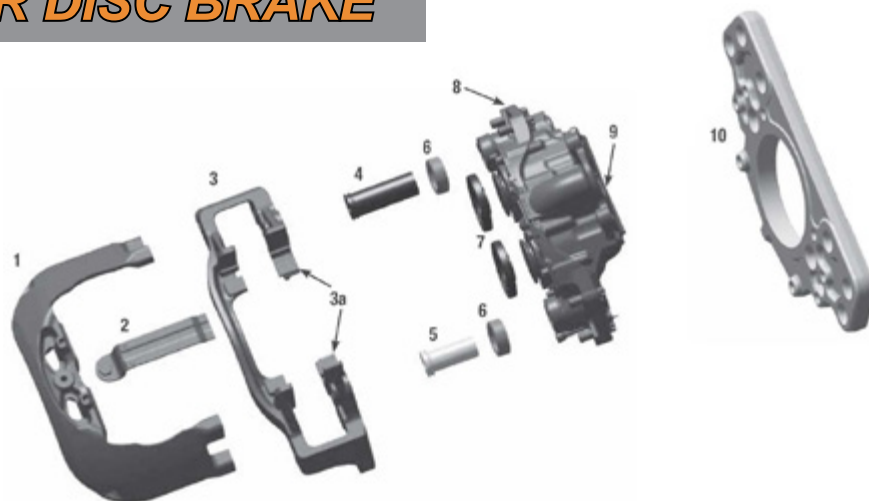
Spline Type





PARTS OF AN AIR DISC BRAKE

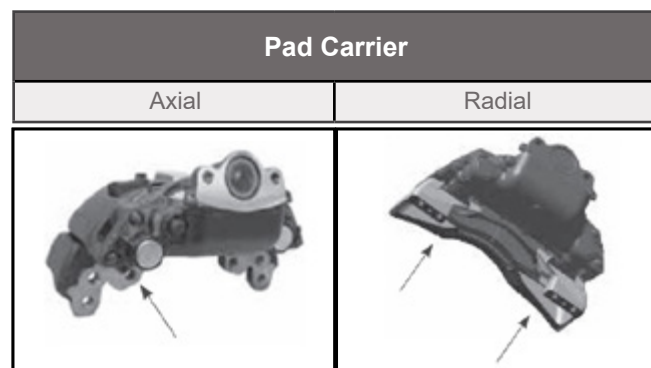
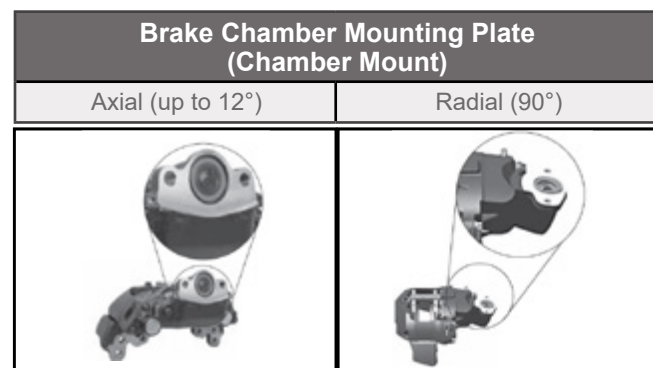
1. Caliper Bridge
2. Retainer Bar
3. Pad Carrier
- 3a. Pad Abutments
4. Long (fixed) Slide Pin
5. Short (floating) Slide Pin
6. Slide Pin Boot
7. Piston Boot
8. Caliper Housing
9. Brake Chamber Mounting Plate (Brake Mount)
10. Torque Plate / Anchor Plate



Mounting surfaces are named by their reference to the rotor.

Axial - a mounting surface that is parallel to the rotor

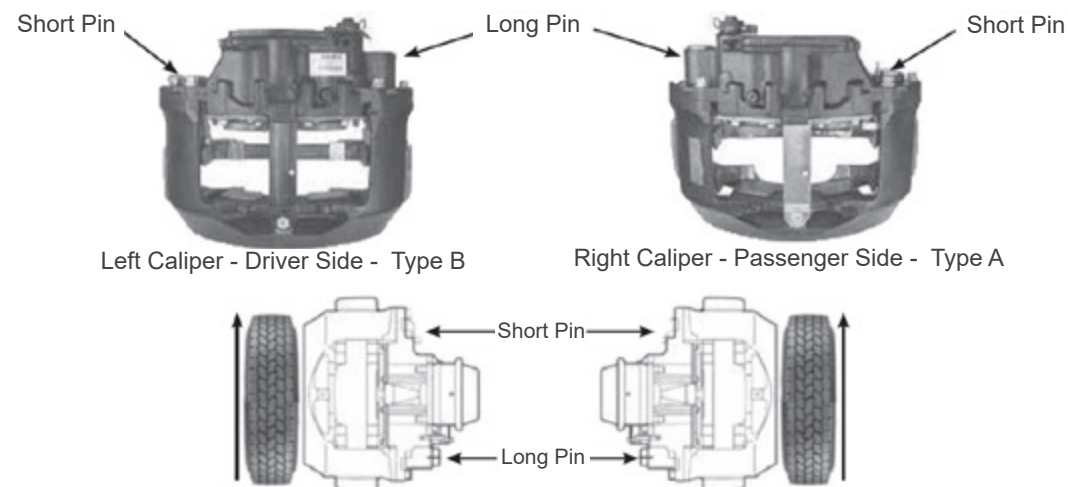
Radial - a mounting surface that is perpendicular (90°) to the rotor



CALIPER INFORMATION

Calipers are identified as Left or Right based on the location of their short or floating pin.

In most cases, a left caliper will be used on the driver's side of the vehicle. There are some exceptions where interference in the wheel well prevents this. Make sure to replace a left with a left and a right with a right.



Disc Pads



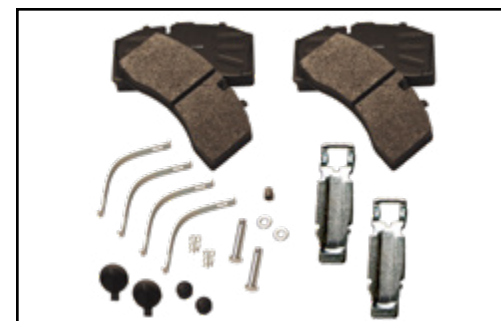
Part No.	Description	FMSI	Size
BNXK129276	Bendix ADB22X	1369	8.25"x4.25"



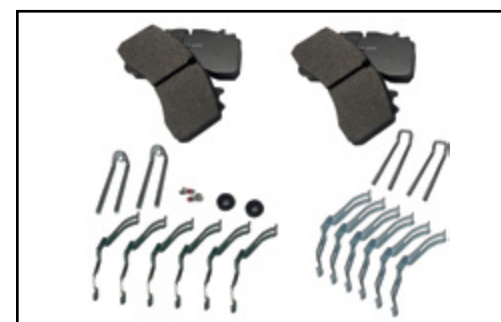
Part No.	Description	FMSI	Size
MERKIT2252H2CG	Meritor EX225H	1311	9.81"x4.56"



Part No.	Description	FMSI	Size
MERKIT2252L2CG	Meritor EX225L	1370	8.50"x4.25"



Part No.	Description	FMSI	Size
SAF03057000603	SAF Holland P89 & P89+	1369	8.50"x4.25"

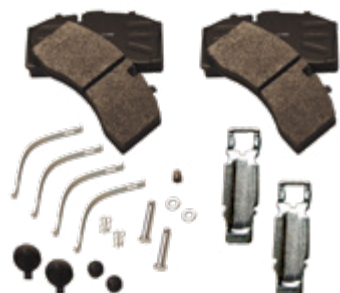


Part No.	Description	FMSI	Size
HNDS-41281-1	Hendrickson MAXX22T	1777	8.29"x4.11"



Common Disc Brakes

For Bendix ADB22



MLBM5-1369

For SAF P89



MLBM5-29319

For Wabco PAN22/MAXX22

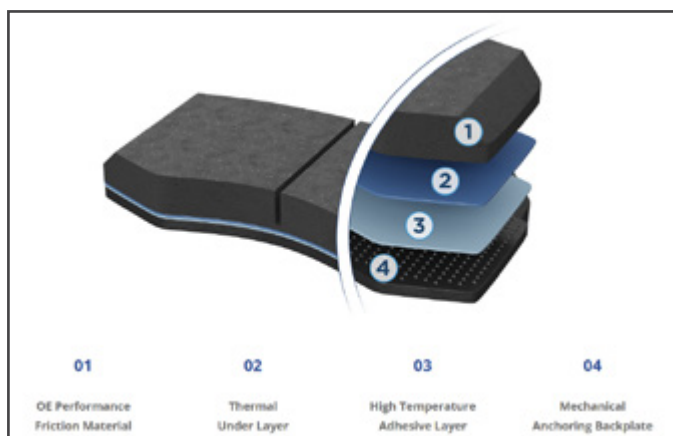


MLBM5-1777

- All product pass FMVSS121 or FMV105 compliance tests.
- Pads and Linings are N rated and compliant for the most stringent 2025 Copper Free regulations.
- Premium lining formulations are all track tested to ensure it exceeds the new Reduced Stopping Distance requirements and proven on OE builds.

Part Number	Application	FMSI	Axle Weight
MLBM5-1369	Fits ADB22X	1369	23K
MLBM5-1777	Fits PAN22/MAXX22T	1777	23K
MLBM5-29319	Fits SAF P89-ST7	1369 "MOD"	23K
MLBM9-1369SD	Fits ADB22X	1369	26K
MLBM9-1777SD	Fits PAN22/MAXX22T	1777	26K

Part Number	Application	FMSI	Axle Weight
BNA80430001	Fits ADB22X	1369	23K
BNA80430004	Fits PAN22	1777	23K
BNA80430009	Fits MAXX22T	1777	23K
BNA80480004	Fits ADB22X	1369	26K



Rotors

Conmet ADB22X

Part Number	CON10082074	
Application	Truck/Trailer	
Type	U-Shape	
Hole Count	10	
Bolt Hole Dia.	9.81"	
ABS Tone Ring	No	
Dimensions	In	mm
Diameter	16.93	430
Depth	5.90	150
Pilot	8.65	220
Disc Thickness	1.76	45



ConMet PAN22

Part Number	CON10085621	
Application	Trailer	
Type	Flat	
Hole Count	10	
Bolt Hole Dia.	7.87"	
ABS Tone Ring	Yes	
Dimensions	In	mm
Diameter	16.93	430
Depth	2.09	78.50
Pilot	5.56	141.25
Disc Thickness	1.76	45



Hendrickson ADB22X-LT

Part Number	HNDS-32193	
Application	Trailer	
Type	U-Shape	
Hole Count	10	
Bolt Hole Dia.	9.81"	
ABS Tone Ring	Yes	
Dimensions	In	mm
Diameter	16.93	430
Depth	5.91	150.11
Pilot	8.65	219.71
Disc Thickness	1.76	45



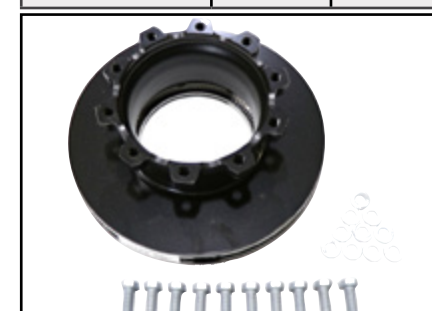
Hendrickson PAN22/HLDX

Part Number	HNDS-38764	
Application	Trailer	
Type	U-Shape	
Hole Count	10	
Bolt Hole Dia.	9.81"	
ABS Tone Ring	Yes	
Dimensions	In	mm
Diameter	16.93	430
Depth	5.91	150.11
Pilot	8.65	219.71
Disc Thickness	1.76	45



Hendrickson MAXX22T

Part Number	HNDS-38765	
Application	Truck	
Type	U-Shape	
Hole Count	10	
Bolt Hole Dia.	9.81"	
ABS Tone Ring	Yes	
Dimensions	In	mm
Diameter	16.33	415
Depth	5.91	150.11
Pilot	8.65	219.71
Disc Thickness	1.76	45



Hendrickson MAXX22T

Part Number	HNDS-41533-1	
Application	Trailer	
Type	U-Shape	
Hole Count	10	
Bolt Hole Dia.	9.81"	
ABS Tone Ring	Yes	
Dimensions	In	mm
Diameter	16.93	415
Depth	5.91	150.11
Pilot	8.65	219.71
Disc Thickness	1.69	43





Disc Brake Table

SAF Holland P89

Part Number	SAF51830049	
Application	Truck & Trailer	
Type	U-Shape	
Hole Count	10	
Bolt Hole Dia.	9.81"	
ABS Tone Ring	Yes	
Dimensions	In	mm
Diameter	16.93	430
Depth	5.91	150.11
Pilot	8.65	219.71
Disc Thickness	1.76	45



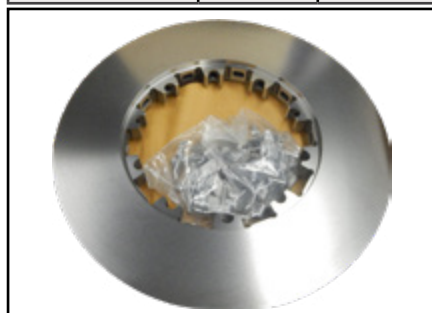
SAF Holland P89 Plus

Part Number	SAF51830036	
Application	Truck & Trailer	
Type	Flat	
Hole Count	10	
Bolt Hole Dia.	8.06"	
ABS Tone Ring	Yes	
Dimensions	In	mm
Diameter	16.93	430
Depth	2.27	57.65
Pilot	7.07	179.57
Disc Thickness	1.76	45



Bendix ABD22X

Part Number	BNX802569	
Application	Truck/Trailer	
Type	Flat	
Hole Count	10	
Bolt Hole Dia.	9.81"	
ABS Tone Ring	No	
Dimensions	In	mm
Diameter	16.93	430
Depth	5.90	150
Pilot	8.65	220
Disc Thickness	1.76	45



FMSI 1203 	FMSI 1310 	FMSI 1311 	FMSI 1312
FMSI 1323 	FMSI 1369 	FMSI 1370 	FMSI 1370 EX-LS
FMSI 1407 	FMSI 1438 	FMSI 1518 	FMSI 1525
FMSI 1526 	FMSI 1777 	FMSI 2061 	FMSI 268 Inner
FMSI 268 Outer 	FMSI LB 	Mack H Variant 	FMSI 29319





Calipers

Bendix	Webb	Hendrickson	Haldex	Description	
BNXK149714SC	---	HNDS-33647-3	---	ADB22X Curbside Air Disc Brake Caliper	
BNXK149715SC	---	HNDS-33647-2	---	ADB22X Roadside Air Disc Brake Caliper	
K149714SC	WBBBR4400-40	---	HLXRDB802984CX	ADB22X Curbside Air Disc Brake Caliper w/ Carrier - Remanufactured	
K149715SC	WBBBL4400-40	---	HLXRDB802985CX	ADB22X Roadside Air Disc Brake Caliper w/ Carrier - Remanufactured	
---	---	HNDS-33648-2	---	PAN22 Roadside Air Disc Brake Caliper	
---	---	HNDS-33648-3	---	PAN22 Curbside Air Disc Brake Caliper w/ Carrier - Remanufactured	

Meritor	Hendrickson	Description	
FCMX22T-L	HNDS-35973-L	MAXX22T Roadside Air Disc Brake Caliper	
FCMX22T-R	HNDS-35973-R	MAXX22T Curbside Air Disc Brake Caliper	
MEREX225L-202V01	---	SVC Caliper - Roadside	
MEREX225-L201V01	---	SVC Caliper - Curbside	
MEREX225K0271V01	---	SVC Caliper - Roadside	
MEREX225L-252V01	---	SVC Caliper - Curbside	



Bendix	SAF Holland	Webb	Description	
---	SAF51830052	---	MC225 LH12P Air Disc Brake Caliper Kit - Roadside	
---	SAF51830053	---	MC225 RH12P Air Disc Brake Caliper Kit - Curbside	
BNXK019181	---	WBBBL4400	MC225 LH0P Air Disc Brake Caliper Kit - Roadside	
BNXK019180	---	WBBBR4400	MC225 RH0P Air Disc Brake Caliper Kit - Curbside	
BNXK081259	---	WBBBL4700	MC225 LH12P Air Disc Brake Caliper Kit - Roadside	
BNXK081258	---	WBBBR4700	MC225 RH12P Air Disc Brake Caliper Kit - Curbside	

Bendix	Webb	Description	
BNXK081143	WBBBL4700-41	MC225 LH12P Air Disc Brake Caliper Kit - Roadside	
BNXK081142	WBBBR4700-41	MC225 RH12P Air Disc Brake Caliper Kit - Curbside	



Brake Friction



20,000 lbs Lining - Longhaul/Light Duty

Good



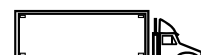
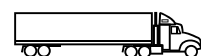
Economy Grade, meets and/or exceeds applicable federal safety standards. Manufactured to the same high standards as OE. Designed to provide superior stopping power and optimum brake life.



Better



Aftermarket Premium Grade, crack resistant, copper free, low swell and growth providing superior, consistent, and reliable performance. Has good fade, recovery, and retardation.



Best



OEM Premium Grade, long lasting, crack resistant, copper free, low swell and growth providing a quiet and comfortable ride. Has excellent fade, recovery, and retardation.

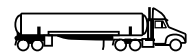


23,000 lbs Lining - Tankers/Trash Hauler/Heavy Duty

Good



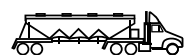
Economy Grade, meets and/or exceeds applicable federal safety standards. Manufactured to the same high standards as OE. Designed to provide superior stopping power and optimum brake life.



Better



Aftermarket Premium Grade, crack resistant, copper free, low swell and growth providing superior, consistent, and reliable performance. Has good fade, recovery, and retardation.



Best



OEM Premium Grade, long lasting, crack resistant, copper free, low swell and growth providing a quiet and comfortable ride. Has excellent fade, recovery, and retardation.



FLEETCRAFT BRAKE MANUFACTURING CENTER

Located in Byron Center, MI we operate our brake manufacturing center out of a dedicated 170,000 Square foot manufacturing facility. Our facility comes equipped with the latest technology to ensure a robust brake product offering. We routinely upgrade our systems to ensure we are able to manufacture our brake product to the highest industry standards. This includes our latest disc brake product offering in our Millennium brand.

Fleetcote by FleetCraft is our thermo-finishing powder-coating process that offers superior bonding and protection for our brake shoes. Our process offers a long-lasting durable coating that ensures superior performance in all environments. All of our product goes through a thorough cleaning and blasting process to ensure a perfect substrate for our powder coating process. Once powder coated we run our finished assemblies through our automated rivet process that then tests for proper torque parameters to ensure full rivet engagement. New and re-manufactured product follows the same process to ensure a durable final product.

Due to this superior process, FleetCraft offers a 3-year limited warranty on our brake shoes.

We offer a wide variety of new and re-manufactured product that is processed utilizing the Fleetcote system.



FleetCote System

Drum Brake Shoe Table



Our FleetCote System provides the following value:

- Impact resistance, flexibility, and corrosion resistance are superior to liquid paints.
- Superior consistency, durability, and uniformity.
- Salt Spray Testing greater than 400 hours.
- Resists cracking, peeling, and marring during handling and normal service use.
- Powdered coated to ensure 100% coverage.
- Compliant with Environmental Regulations.
- Fleetcraft has one of the most modern brake facilities in the country.
- Highly experienced and knowledgeable personnel.
- 3-Year Limited Warranty!



4536 12.25" X 5.5" 	4591 12.25" X 7.5" 	4661 12.25" X 5" 	4670 12.25" X 7.5" 	4700 12.25" X 4"
4536FC 12.25" X 5.5" 	4692FC 12.25" X 7.5" 	PQ4591 12.25" X 7.5" 	1443 15" X 4" 	4702 15" X 4"
4717 15" X 8.625" 	4729 15" X 4" 	1308E 15" X 4" 	1308Q 15" X 4" 	4703Q 15" X 5"
4704Q 15" X 6" 	4710Q 15" X 8.625" 	4311 16.5" X 7" 	4709 16.5" X 7" 	4711 16.5" X 8.625"
4715 16.5" X 6" 	4720 16.5" X 5" 	4515TQ 16.5" X 7" 	4515X3 16.5" X 7" 	4707TQ 16.5" X 7"
4709-2 16.5" X 7" 	4718TQ 16.5" X 8" 	4719-2 16.5" X 5" 	4725-2 16.5" X 6" 	4726-2 16.5" X 8.625"

Brakes | FleetCote System

Brakes | Drum Brake Shoe Table



Millenium & Fleetcraft Friction

Brake Shoes	Reline Kits	New Shoes	New Kits
M3-1308	--	--	--
M3-1308E	NLBM3-1308E	NSM3-1308E	BNKM3-1308E
M3-1308Q	NLBM3-1308Q	--	--
M8-1308E	--	--	--
M8-1308Q	--	--	--
FC20-1443	--	NSFC20-1443	--
F523-1443	NLBF523-1443	--	--
M3-1443	NLBM-1443	NSM3-1443	BNKM3-1443
M8-1443	--	--	--
M3-4311	NLBM3-4311	--	--
M8-4311	--	--	--
FT-4515C	--	--	--
FC20-4515FQ	--	NSFC20-4515FQ	--
FC23-4515FQ	NLBFC23-4515FQ	NSFC23-4515FQ	BNKFC23-4515FQ
F5204515FQ	NLBF520-4515FQ	--	--
F523-4515FQ	--	NSF523-4515FQ	BNKF523-4515FQ
M3-4515FQ	NLBM3-4515FQ	NSM3-4515FQ	BNKM3-4515FQ
M8-4515FQ	NLBM8-4515FQ	NSM8-4515FQ	BNKM8-4515FQ
FC20-4515TQ	--	FC20-4515TQN	BNKFC20-4515TQ
FC23-4515TQ	NLBFC23-4515TQ	FC23-4515TQN	BNKFC23-4515TQ
M3-4515TQ	NLBM3-4515TQ	NSM3-4515TQ	BNKM3-4515TQ
M8-4515TQ	NLBM8-4515TQ	NSM8-4515TQ	BNKM8-4515TQ
F520-4515TQ	NLBF520-4515TQ	--	--
F523-4515TQ	NLBF523-4515TQ	NSF523-4515TQ	--
M3-4591	--	--	--
M8-4591	--	NSM8-4591	BNKM8-4591
M3-PQ4591	--	NSM3-PQ4591	BNKM3-PQ4591
M8-PQ4591	NLBM8-PQ4591	NSM8-PQ4591	BNKM8-PQ4591
KVT-4592AGIL	--	NSKVT-4592AGILN	--
--	--	NSKVT-4592AXXGILN	--
M3-4661FC	--	NSM3-4661FC	--
M3-PQ4661	--	NSM3-PQ4661	--
M3-4692FC	NLBM3-4692FC	NSM3-4692FC	BNKM3-4692FC
M3-4692HXS	--	NSM3-4692HXS	--
M8-4692FC	NLBM8-4692FC	NSM8-4692FC	BNKM8-4692FCN
M8-4692HXS	--	--	--
M3-4700	--	--	--
M3-PQ4700	--	NSM3-PQ4700	--

Brake Shoes	Reline Kits	New Shoes	New Kits
FC20-4702QP	--	--	--
M3-4702QP	NLBM3-4702QP	NSM3-4702QP	BNKM3-4702QP
M8-4702QP	NLBM8-4702QP	NSM8-4702QP	BNKM8-4702QP
FC20-4707QP	NLBFC20-4707QP	FC20-4704QPN	BNKFC20-4707QP
FC23-4707QP	NLBFC23-4704QP	FC23-4707QPN	BNKFC23-4707QP
M3-4707QP	NLBM3-4707QP	NSM3-4704QP	BNKM3-4704QP
M8-4707QP	NLBM8-4707QP	NSM8-4707QP	BNKM8-4704QP
F520-4704QP	NLBF520-4707QP	--	--
F523-4704QP	NLBF523-4707QP	NSF523-4704QP	BNKF523-4704QP
FC20-4709	--	--	--
FC23-4709	--	--	--
M3-4709	NLBM3-4709	--	--
FC20-4709-2	--	--	--
FC23-4709-2	NLBFC23-4709-2	--	--
M3-4709-2	NLBM3-4709-2	NSM3-4709-2	BNKM3-4709-2
M8-4709-2	NLBM8-4709-2	NSM8-4709-2	BNKM8-4709-2
M3-4710QP	NLBM3-4710QP	--	--
M8-4710QP	NLBM8-4710QP	NSM8-4710QP	BNKM8-4710QP
FC20-4711QP	--	--	--
M3-4711QP	NLBM3-4711QP	NSM3-4711QP	BNKM3-4711QP
M8-4711QP	NLBM8-4711QP	NSM8-4711QP	BNKM8-4711QP
FC23-4711QP	--	--	--
FC20-4715QP	--	--	--
FC23-4715QP	--	NSFC23-4715QP	BNKFC23-4715QP
M3-4715QP	NLBM3-4715QP	--	--
M8-4715QP	--	NSM8-4715QP	BNKM8-4715QP
FC20-4718QP	--	--	--
FC23-4718QP	--	--	--
M3-4719-2	NLBM3-4719-2F	NSM3-4719-2	BNKM3-4719-2F
M8-4719-2	--	NSM8-4719-2	BNKM8-4719-2F
FC20-4720QP	--	--	--
FC23-4720QP	--	--	--
M3-4720QP	NLBM3-4720QP	NSM3-4720QP	BNKM3-4720QP
M8-4720QP	NLBM8-4720QP	NSM8-4720QP	BNKM8-4720QP
M3-4725-2	--	NSM3-4725-2	--
M8-4725-2	NLBM8-4725-2F	NSM8-4725-2	BNKM8-4725-2F
M3-4726-2	NLBM3-4726-2	NSM3-4726-2	BNKM3-4726-2
M8-4726-2	NLBM8-4726-2	NSM8-4726-2	BNKM8-4726-2

Brake Drums

Webb	Fleetcraft	Alternate	Description	Size	Holes	Bolt Circle	Depth	Mount	Pilot
WBB63680F	WBB1602436	--	Brake Drum	12.25"x7.5"	8	10.83"	11.22"	OB	9"
WBB61528B	WBB1602429	CON10081828	Brake Drum	15"x4"	10	11.25"	8.86"	OB	8.78"
WBB65548B	WBB1602430	CON10009920	Brake Drum, Balanced	15"x4"	10	11.25"	9.04"	OB	8.78"
WBB61991F	--	--	Brake Drum	15"x8.625"	10	11.25"	11.75"	OB	8.78"
WBB56864B	WBB1302467	--	Brake Drum, Balanced	16.5"x7"	10	11.25"	10.52"	OB	8.78"
WBB62200F	WBB1602401	--	Brake Drum	16.5"x7"	10	11.25"	9.5"	IB	9.44"
WBB68730F	WBB1602402	--	Brake Drum	16.5"x7"	10	11.25"	8.75"	IB	9.5"
WBB66893F	WBB1602407	--	Brake Drum	16.5"x7"	10	11.25"	10.62"	OB	8.53"
WBB66353F	WBB1602432	--	Brake Drum	16.5"x7"	10	11.25"	11.18"	OB	8.78"
WBB66864B	--	--	Brake Drum, Balanced	16.5"x7"	10	11.25"	10.52"	OB	8.78"
WBB96864B	--	89996B	Steel Shell Drum	16.5"x7"	10	11.25"	10.41"	OB	8.78"
WBB67518F	WBB1602400	--	Brake Drum	16.5"x7"	5 or 6	5 = .78" 6 = .66"	8.38"	IB	9.44"
WBB77809BW	--	--	Brake Drum	16.5"x8.625"	10	11.25"	11.46"	OB	8.78"
WBB66854F	WBB1602434	CON10012097	Brake Drum, Balanced	16.5"x8.625"	10	11.25"	11.46"	OB	8.78"

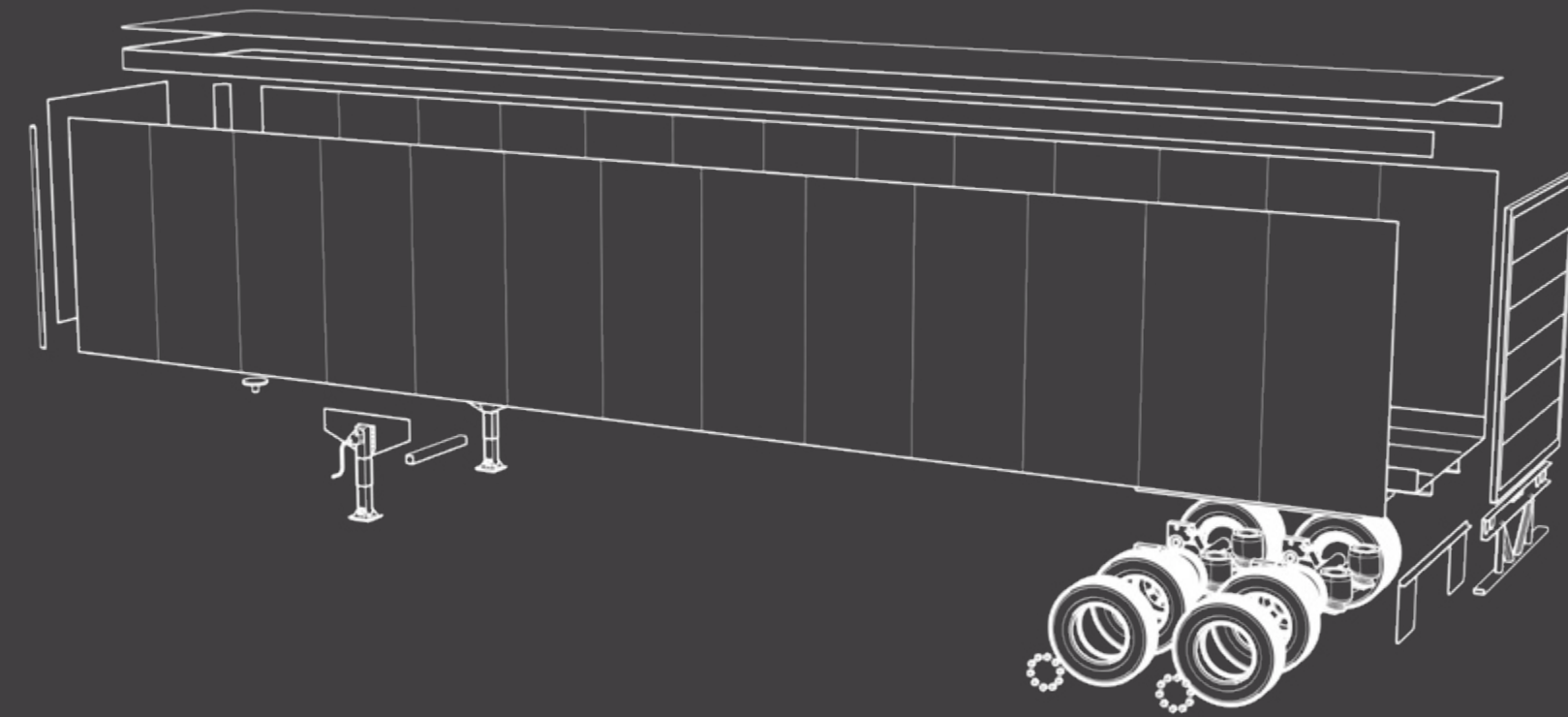


Brakes | Millenium & Fleetcraft Friction

Brakes | Brake Drums



NEWLIFE
HEAVY DUTY TRAILER PARTS

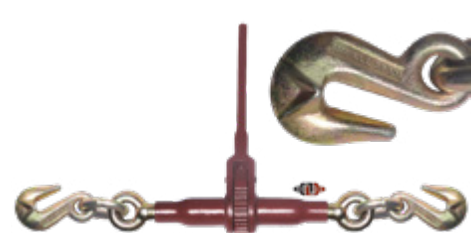


Cargo Control Parts



Binders

Part Number	Description	Fits Chain Size	Handle Length	Work Load Limit	Image
DR-1-PLUS	Heavier Duty Ratchet Binder, 1" Screw Diameter	3/8"-5/16"	15.5"	8,800 lbs	A
LDR-38-10	Lighter Duty Ratchet Binder, 7/8" Screw Diameter	3/8"-5/16"	15"	7,100 lbs	A
DR-2	Heavier Duty Ratchet Binder, 1" Screw Diameter	1/2"-3/8"	15.5"	12,000 lbs	A
KIN10035HD	Ratchet Style Chain Binder	3/8"-1/2"	13.75"	9,200 lbs	B
KIN10036	Lever Style Chain Binder	5/16"-3/8"	13.75"	5,400 lbs	C
KIN10036MD	Lever Style Chain Binder, Clevis Grab Hook	5/16"-3/8"	13.75"	6,600 lbs	C



A



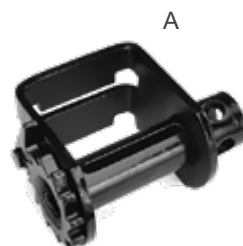
B



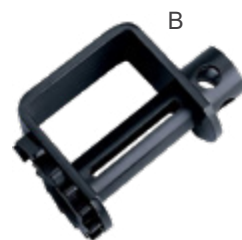
C

Winches

Part Number	Description	Size	Load Limit	Storage Capacity	Image
KIN1020	Standard Sliding Double L Winch	7.6"x3.9"	5,000 lbs	+/- 20 ft	A
KIN1820	Standard Weld-On Winch	7.8"x3.5"	6,670 lbs	+/- 20 ft	B
KIN3820	Standard Sliding C Channel Winch	7.6"x3.9"	6,670 lbs	+/- 27 ft	C
KIN5820	Storable Sliding C Channel Winch	7.6"x3.9"	6,670 lbs	+/- 30 ft	D
ACR49706-10	Standard Wilson Track Sliding Web Winch	7.9"x4.9"	5,500 lbs	--	E
KIN3606	Steel C Channel Winch Track for Sliding Winches	1/4"x6'	--	+/- 6 ft	F



A



B



C



D



E



F

Chains

Part Number	Description	Size	Load Limit
3532-725-55	Binder Chain w/ Clevis Hooks, G70	1/2"x20'	11,300 lbs
3524-623-56	Binder Chain w/ Clevis Hooks, G70	3/8"x16'	6,600 lbs
3583-520-15	Binder Chain w/ Clevis Hooks, G70	3/8"x20'	6,600 lbs
3521-626-57	Binder Chain w/ Clevis Hooks, G70	5/16"x25'	4,700 lbs
3562-320-05	Binder Chain w/ Clevis Hooks	5/16"x20'	4,700 lbs



3583-520-15

Winch Straps

Part Number	Description	Size	Load Limit
FC430FH	Fleetcraft Flat Hook Winch Strap	4"x30'	5,400 lbs
KIN422721	Kinedyne Flat Hook Winch Strap	4"x27'	5,400 lbs
KIN423021	Kinedyne Flat Hook Winch Strap	4"x30'	5,400 lbs
KIN4630D3	Kinedyne Rhino MAX Flat Hook Winch Strap	4"x30'	6,670 lbs
KIN323021	Kinedyne Flat Hook Winch Strap	3"x30'	5,400 lbs



KIN422721

E-Tracks

Part Number	Description	Size	Image
43001-624	E-Track, Horizontal, Galvanized, Painted, 12 Gauge	52"	A
H43001	E-Track, Horizontal, Galvanized, 12 Gauge	10'	B
H43002	E-Track, Horizontal, 12 Gauge	10'	C
SUPAR023100	E-Track, Horizontal, Galvanized, 12 Gauge	52"	D



A



B



C



D



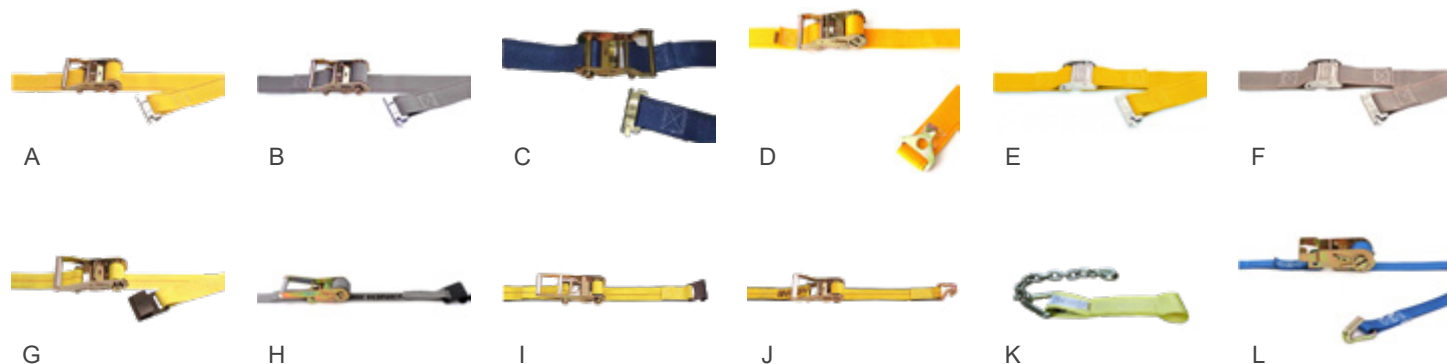
Ratchet Straps



Don't see the strap you need, please scan the QR code to the right for more ratchet strap options from Kinedyne.



FLEETCRAFT	KINEDYNE	Type	Width	Length	End	Color	Load	Image
FC212E	KIN641201	Logistic	2"	12'	Spring Loaded E or A Fitting	Yellow	1,000 lbs	A
FC216E	KIN641601	Logistic	2"	16'	Spring Loaded E or A Fitting	Gray	1,000 lbs	B
--	KIN642001	Logistic	2"	20'	Spring Loaded E or A Fitting	Blue	1,000 lbs	C
--	KIN642015	Logistic	2"	20'	1 Inch Notched Hole Track Key	Yellow	670 lbs	D
--	KIN651201	Logistic - Cam Buckle	2"	12'	Spring Loaded E or A Fitting	Yellow	835 lbs	E
--	KIN651601	Logistic - Cam Buckle	2"	16'	Spring Loaded E or A Fitting	Gray	835 lbs	F
FC227FH	KIN512720	Ratchet	2"	27'	Flat Hook	Yellow	3,335 lbs	G
--	KIN562723	Rhino Ratchet	2"	27'	Flat Hook	Rhino Gray	4,000 lbs	H
FC230FH	KIN513020	Ratchet	2"	30'	Flat Hook	Yellow	3,335 lbs	I
--	KIN512784	Ratchet	2"	27'	Wire Hook	Yellow	3,335 lbs	J
--	KIN559940	Ratchet - Chain Anchor	3"	18"	Chain Anchor	Yellow	--	K
--	KIN711281PK	Utility Ratchet	1"	12'	Wire Hook	Blue	835 lbs	L
--	KIN761587PK	Utility Ratchet	1"	15'	"S" Hook	Blue	500 lbs	L



Tarp Straps

Part No.	Description	Length	Material
52210GLM	Tarp Strap	10"	EPDM
52215GLM	Tarp Strap	15"	EPDM
52221GLM	Tarp Strap	21"	EPDM
52231GLM	Tarp Strap	31"	EPDM
52241GLM	Tarp Strap	41"	EPDM



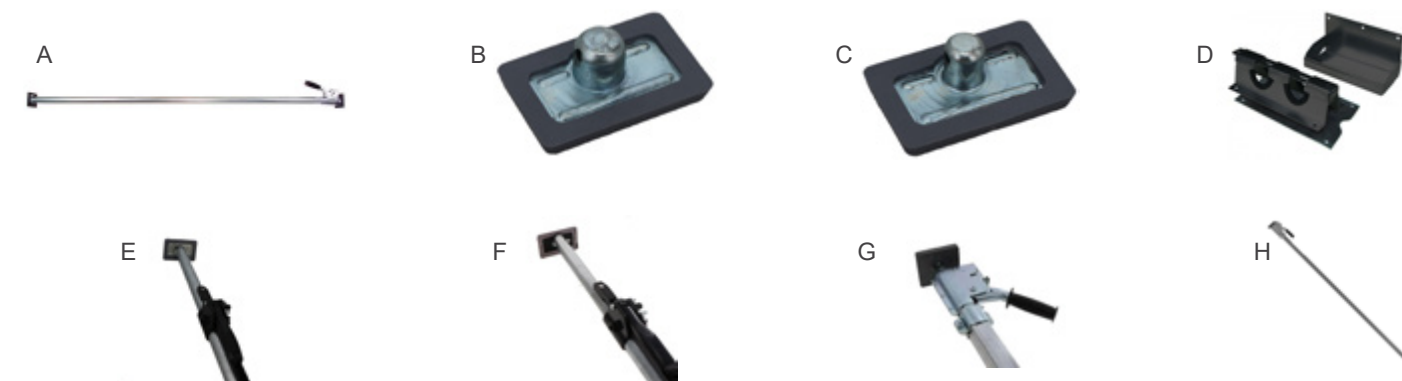
Load Bars



Don't see the load bar you need, please scan the QR code to the right for more load bar options from Kinedyne.

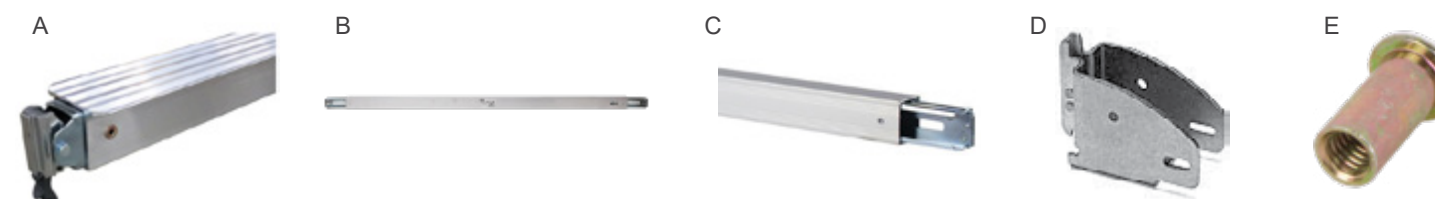


Part No.	Description	Working Length	Material	
EM-801	One Piece Jacking Type Load Bar - 1.66" Round	84"-105"	Zinc Plated Steel	A
KIN10052	Replacement Bolt-On Rubber Foot for Small Saf-T-Lok Bar Tube	--	--	B
KIN10053	Replacement Bolt-On Rubber Foot for Large Saf-T-Lok Bar Tube	--	--	C
KIN10062	BarTender® - Cargo Bar Holder for 2 Logistic Bars	--	Neoprene Cushion	D
KIN10085	Saf-T-Lok Bar	90"-105"	Steel	E
KIN10088	Saf-T-Lok Bar	90"-105"	Aluminum	F
KINJB101	Square One-Piece Jack Bar	86"-104"	Galvanized Steel	G
KINJB101XL	Extra Long Square One-Piece Jack Bar	86"-114"	Galvanized Steel	H



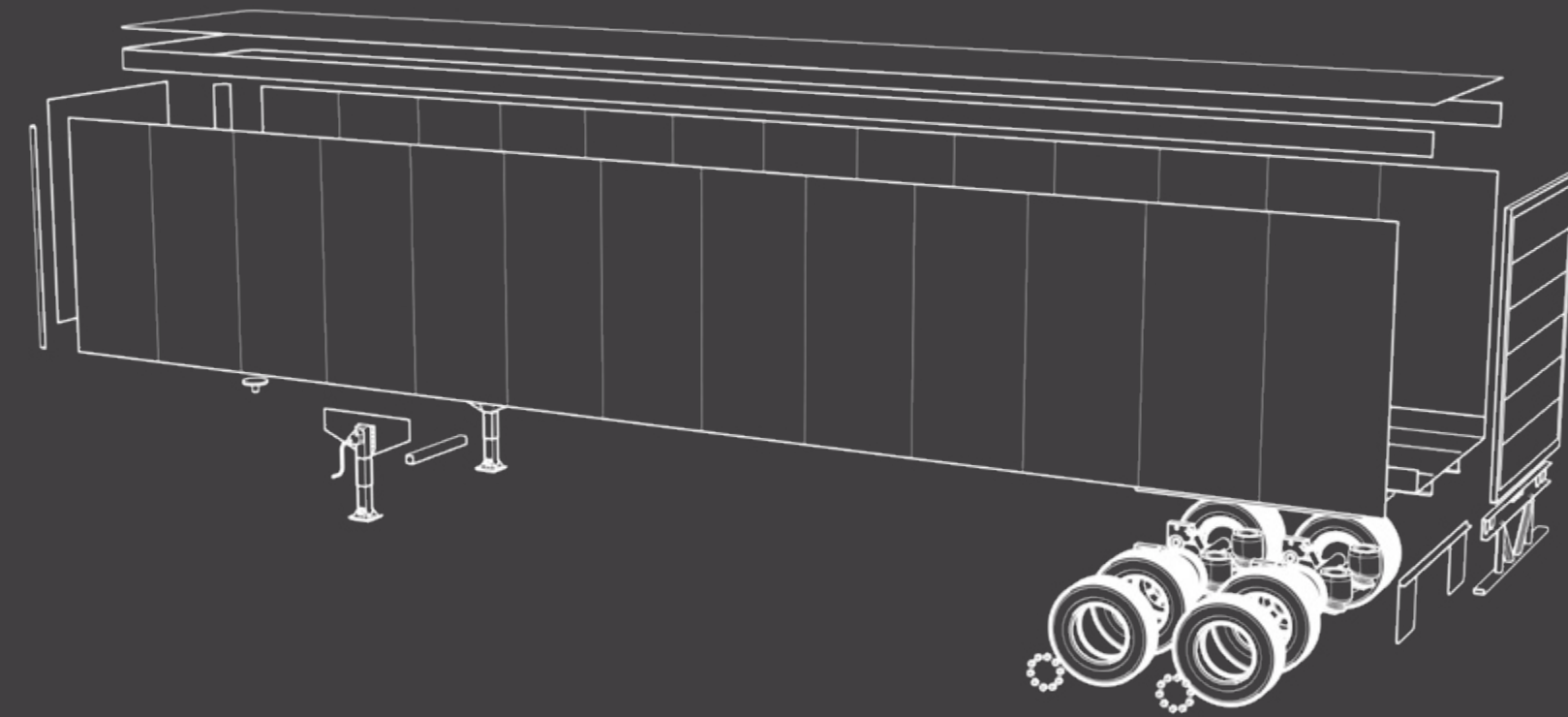
Beams

Part No.	Description	Adjustment Range	
ACR50759-12	Narrow Shoring Beam Assembly for Lift a Deck 2 Track	97.3"-108.8"	A
KINFE8000-12	Heavy-Duty Series E or A Decking/Shoring Beam	91.9"-102.3"	B
KINFE8066-3	Series E or A Decking/Shoring Beam	91.9"-102.3"	C
KIN1845	Series E or A Wood Beam Socket	--	D
KIN80168-11	Replacement Nut to Attach Beam Head Assemblies to Beams	--	E





NEWLIFE
HEAVY DUTY TRAILER PARTS



Chemical &
Shop Supply



Diesel 9-1-1®

Diesel Fuel Supplement +Cetane Boost is intended for use only during cold winter months when temperatures drop below +30F. Use Diesel Kleen +Cetane Boost (in the silver bottle) for peak performance in non-winter months. If your vehicle will not start or gain power in cold temperatures, use Diesel 911 (in the red bottle).



Part No.	Description	Size	Qty
POW1026-12	Diesel Supplement Antigel + Cetane Boost	26 oz	12
01064-06	Diesel Supplement Antigel + Cetane Boost	64 oz	6
01050-02	Diesel Supplement Antigel + Cetane Boost	2.5 Gal	2
01055-01	Diesel Supplement Antigel + Cetane Boost	55 Gal	1
POW8026-12	Diesel 9-1-1 Additive	26 oz	12
08064-06	Diesel 9-1-1 Additive	64 oz	6
202032	Winter Pow-R® Plus Diesel Anti-Gel	32 oz	12
202132	Winter Thaw® Emergency Diesel	32 oz	12



POW8026-12 POW1026-12



202032 202132

DEF

Part No.	Description	Size	Qty
DEF25	Diesel Exhaust Fluid	2.5 Gal	1
DEFD	Diesel Exhaust Fluid	55 Gal	1



DEF25

Air Brake Anti-freeze

Part No.	Description	Size	Qty
5632	Air Brake Anti Freeze	32 oz	12
PNR5601	Air Brake Anti Freeze	1 Gal	1



5632

Anti-freeze

Part No.	Description	Size	Qty
1010044	Antifreeze Green 50/50	1 Gal	1
1010046	Antifreeze Shell Rotella Red Extended Life 50/50	1 Gal	1
1010047	Antifreeze Pure Fleet Red 50/50	1 Gal	1
1010054	Antifreeze Green Concentrate	1 Gal	1
1010056	Antifreeze Shell Rotella Red Concentrate Extended Life	1 Gal	1
1010057	Antifreeze Pure Fleet Red Concentrate Extended Life	1 Gal	1
1010058	Antifreeze Pure Fleet Red Concentrate Extended Life	55 Gal	1



1010056

Adhesive Sealants

Non-sag for vertical and overhead applications. Superior adhesion and durability. Smooth finish. Paintable, stainable and sandable. Water immersible & waterproof after cure.

Part No.	Description	Size	Type	Color	Qty
1100845	Adhesive Sealant	10.3 oz	Neoprene	Gray	36
1100846	Adhesive Sealant	10.3 oz	Neoprene	White	36
1100851	Adhesive Sealant	10.3 oz	Polyurethane	Gray	30
90891	SIKAFLEX Adhesive Sealant	10.3 oz	Polyurethane	White	24
90892	SIKAFLEX Adhesive Sealant	10.3 oz	Polyurethane	Gray	24



Caulk/Sealant

Part No.	Description	Size	Type	Color	Qty
1100848	Sealant	11 oz	Silaprene	Gray	24
1100850	Sealant	11 oz	Silaprene	White	24
1190161	Sealant	10.1 oz	Silicone	Clear	24
1190162	Sealant	10.1 oz	Silicone	White	24
1190163	Sealant	10.1 oz	Silicone	Gray	24



1100850 1190161



INSTA-FOAM

DuPont Sealant provides a barrier against air infiltration and helps seal out moisture, dust, pests, and smoke. Ideal for gaps less than 4in wide.

Part No.	Description	Coverage	Density
FP12KIT	Insta-Foam Froth Pak™	12 Board Feet	1.75
FP200	Insta-Foam Froth Pak™	200 Board Feet	1.75
FP620	Insta-Foam Froth Pak™	620 Board Feet	1.75



FP12KIT



Spray Paint



Part No.	Description	Qty
1016842	Spray Coating Shiny Galvanized 13 OZ Net 65% Zinc 13 OZ Can	12
700-99-307-20	Spray Paint Gloss Blk-High Solid 20 OZ/15-17 OZ FIL	12
700-99-310-20	Spray Paint Gloss White-High Solid 20 OZ/15-17 OZ FIL	12
700-99-312-20	Spray Paint LT Gry Prim-High Solid High 20 OZ-15-17 OZ FIL	12
700-99-39-20	Spray Paint Black Low-Solid 20 OZ/15-17 OZ FIL	12
700-99-41-20	Spray Paint Red Oxide Primer 20 OZ/15-17 OZ FIL	12
700-99-42-20	Spray Paint Red Low-Solid 20 OZ/15-17 OZ FIL	12
700-99-43-20	Spray Paint White Low-Solid 20 OZ/15-17 OZ FIL	12
700-99-44-20	Spray Paint Flat Black Lo-Sld 20 OZ/15-17 OZ FIL	12
700-99-45-20	Spray Paint Non-Smudge Alum 20 OZ/15-17 OZ FIL	12
700-99-561-20	Spray Paint Gray High Solid 20 OZ/15-17 OZ FIL	12
700-99-68-20	Spray Paint Lt Gray Primer 20 OZ/15-17 OZ FIL	12
1210300	Spray Enamel Gloss White 11 OZ Net WT Can 16 OZ Can	12
1210303	Spray Enamel Gloss Black 11 OZ Net WT Can 16 OZ Can	12
1210304	Spray Enamel Flat Black 11 OZ Net WT Can 16 OZ Can	12
1210306	Spray Enamel Light Gray 11 OZ Net WT Can 16 OZ Can	12
1210311	Spray Enamel Bright Red 11 OZ Net WT Can 16 OZ Can	12
1210326	Spray Enamel Dull Aluminum 11 OZ Net WT Can 16 OZ Can	12
1210340	Spray Primer All Purpose Gray 11 OZ Net WT Can 16 OZ Can	12
1210344	Spray Primer Red Rust Resistant 11 OZ Net WT Can 16 OZ Can	12
1210363	Spray Enamel Ford Dark Blue 11 OZ Net WT Can 16 OZ Can	12



Windshield Washer Fluid

Part No.	Description	Size	Qty
WW1G	Windshield Wash Solvent (-20)	1 Gal	6
WW55G	Windshield Wash Solvent (-20)	55 Gal	1
5006BW	Windshield Wash Summer Bug Wash	1 Gal	6
WWF-30	Washer Fluid De-Icer Gallon	1 Gal	6



Brake Cleaner

Part No.	Description	Size	Qty
BC-1	Brake Cleaner, Chlorinated	19 oz	12
M715	Brake Cleaner, Non-Chlorinated	14 oz	12
1215	Brake Cleaner, Low Voc, Non-Chlorinated	14 oz	12
CYCPYNVOC15	Brake Cleaner, 50 State Formula, Non-Chlorinated	15 oz	12



CYCLO Cleaners

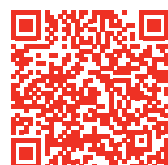
Part No.	Description	Qty
CYCC-1	Carb Cleaner 13 OZ Net WT	12
CYCC-10	Break Away First Penetrating Oil 13 OZ Net WT PB16	12
CYCC-108C	Brake Cleaner Low Odor Non-Chlorinat 18 OZ Net WT Not Sold in CA, UT	12
CYCC-111C	Brake Cleaner Non-Chlorinated 15 OZ Net WT Can Fast Drying	12
CYCC-120	Battery Cleaner & Acid Leak Detector 15 OZ Net WT	12
CYCC-121	Battery Protect 11 OZ Net WT	12
CYCC-30	Engine Clean Degreaser 16 OZ Net WT	12
CYCC-331	Glass Cleaner Extra Strength Foam 19 OZ Net WT	12
CYCC-33V	Silicone Spray Heavy Duty 10 OZ Net WT	12
CYCC-34	White Grease Food Grade NSF: H1 11 OZ Net WT Food Grade	12
CYCC-35	Rubber Undercot Body Shop Formula 17 OZ Net WT Can	12
CYCC-392	Max Clean Foam Aersol 18 OZ Net WT All Purpose Clean	12
CYCC-400	Penetrating Oil Fast Penetrating 11 OZ Net WT Can PB16	12
CYCC-661	Graphite Lube Chain & Cable 16 OZ Net WT	6
CYCPYSFR11	Starting Fluid	12



Dynatex® Sealants



Dynatex manufactures and packages sealants, adhesives and maintenance products for the Automotive, Heavy Duty, Fastening, Industrial, Manufacturing and Marine Industries.



Part No.	Description	Qty
49200	Dynatex Black Silicone Sealant 3 OZ Tube	12
49202	Dynatex Red Silicone Gasket Maker High Temp 3 OZ	12
49203	Dynatex Blue Silicone Gasket Maker 3 OZ Tube	12
49442	Dynatex Threadlocker Blue Medium Strength 24 ML Tube	12
49494	Dynatex Thread Sealant w/ Teflon 4 OZ Brushtop	12
49558	Dynatex Anti-Sieze Lubricant 8 OZ Brushtop Bottle	12
49576	Dynatex Anti-Sieze Aero 12 OZ Can	12
56400	Dynatex Silk-Pak 5th Wheel Grease	12



CYCC-121 CYCC-111C CYCC-120 CYCC-10 CYCC-108C CYCC-1 CYCC-331 CYCC-30 CYCC-34 CYCC-35 CYCC-392

Chemical & Shop Supply | Paint & Coatings

Chemical & Shop Supply | Cleaners/Polish



Floor Restore

KEY Floor Restore is both an epoxy floor coating and a structural epoxy adhesive. It is a lightweight, flexible epoxy system that fills gouges, small cracks, and delaminations, and waterproofs the entire floor. Floor Restore is a penetrating VOC-free epoxy floor coating product that structurally bonds wood fibers and delaminations, creating a stronger trailer or truck flooring structure that is tough enough to stand up to the most punishing cargos! Floor Restore provides a durable coating that is low maintenance and easy to clean.

Part No.	Description	Color
EC1055AB	Floor Restore Kit - 48' Trailer, Solvent Free	Clear
EC53AB	Floor Restore Kit - 53' Trailer, Solvent Free	Clear
FP100-BULK	Crack Filler Kit, 32 oz, 3 Pack	--
FP100-QT	Crack Filler, 1 Quart	--



KEY POLYMER



EC53AB



FP100-Bulk

Smoke Bombs

Easily assess whether or not your dryvan trailer is weather tight. The smoke is a visual indicator of penetrations that may not be easily visible that could cause downstream failures in your dryvan trailer.

Part No.	Description	Qty
3C-SMOKE	Smoke Bomb - 3 Minute	12



Misc Chemicals

Part No.	Description	Qty
1010052	Kroil Penetrant - 16.5 oz Aerosol	12
1010053	Hot Shot Starting Fluid, 45% Ether - 11 oz Aerosol	12
AS11	Fluid Film Corrosion Inhibitor - 11.75 oz Aerosol	1
LIQ0288	Truck Wash Concentrate - Gallon Jug	4
LIQ0847	Aluminew Aluminum Brightener and Cleaner	12
PB16	B'Laster Penetrant - 11 oz Aerosol	12



1010052 1010053 AS11 PB16



LIQ0288 LIQ0847

Lucas Oil Products

Fuel Your Engine's Performance — Formulated For Both Gasoline & Diesel Engines, Carbureted Or Fuel Injected. Start Now! Our Powerful Line Of Automotive Oils & Additives Keep Your Engine Healthy.

Part No.	Description	Size	Qty
L10001	Oil Stabilizer	32 oz	12
L10002	Oil Stabilizer	1 Gal	4
L10043	80/90 Weight Gear Oil	32 oz	12
L10088	Hub Oil Stop Leak	32 oz	12
L10130	Synthetic Oil Stabilizer	32 oz	12
L10131	Synthetic Oil Stabilizer	1 Gal	4
L10279	Oil Stop Leak	1 Gal	4



L10001



L10043



L10088



L10130



L10131



L10279



L10002

Grease, ATF, and Oil

Part No.	Description	Size	Qty
31601DEL	Chevron Grease, Synthetic SFE, Bucket	30 lb	1
MYS1412052	JT-6 Synthetic Grease, #00, Bucket	35 lb	1
1412016	JT-6 High Temperature Grease, #2, RED, Tube	14 oz	10
1412023	JT-6 High Temperature Grease, #2, RED, Bucket	35 lb	1
3150	Castrol Grease, Pyroplex Blue, #2, Tube	14 oz	10
39000-1012FG	Todco Roller Door Lube, Food Grade, Aerosol	12 oz	12
MYS1412060	ATF, Citgo 668, Syndurance, Bucket	5 Gal	1
1412043	Transmission Lube, 50 weight, Bucket	5 Gal	1
SH1	Shell Rotella 15W40 Oil	1 Gal	3
SH5	Shell Rotella 15W40 Oil, Bucket	5 Gal	1
AW32	Hydraulic Oil, Bucket	5 Gal	1



31601DEL



AW32



SH1



1412016



3150

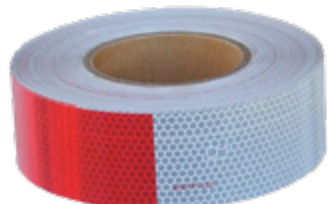


39000-1012FG



Conspicuity Tape

Part No.	Description	Width	Length	Pattern	Warranty
75-0301-2244-6	Conspicuity Tape	2"	150'	11" Red - 7" White	10 Year
75-0301-2246-1	Conspicuity Tape	2"	150'	6" Red - 6" White	10 Year
75-0301-2248-7	Conspicuity Tape	2"	150'	White	10 Year
75-0302-6613-6	Conspicuity Tape	2"	150'	11" Red - 7" White	5 Year



75-0301-2246-1

Patch Tape

Part No.	Description	Width	Length	Color	Qty
4X50	Aluminum Foil Patch Tape	4"	50'	Foil	8
4X50WH	Aluminum Foil Patch Tape	4"	50'	White	8
6X50	Aluminum Foil Patch Tape	6"	50'	Foil	4
700-99-186	Aluminum Foil Patch Tape	4"	30'	Foil	12
700-99-193	Aluminum Foil Patch Tape	6"	30'	Foil	8



6X50

Foam Tape

Part No.	Description	Width	Length	Thickness
P8112	Foam Tape	7/8"	75'	1/8"
TAP62751006	Foam Tape	1"	200'	1/16"
V712	Foam Tape	1/4"	200'	1/16"



P8112

Roof Bow Tape

Part No.	Description	Width	Length	Thickness
1059610	Roof Bow Tape - 2 Sided	3/4"	100'	1/16"
1059065	Roof Bow Tape - 2 Sided	5/8"	65'	1/8"

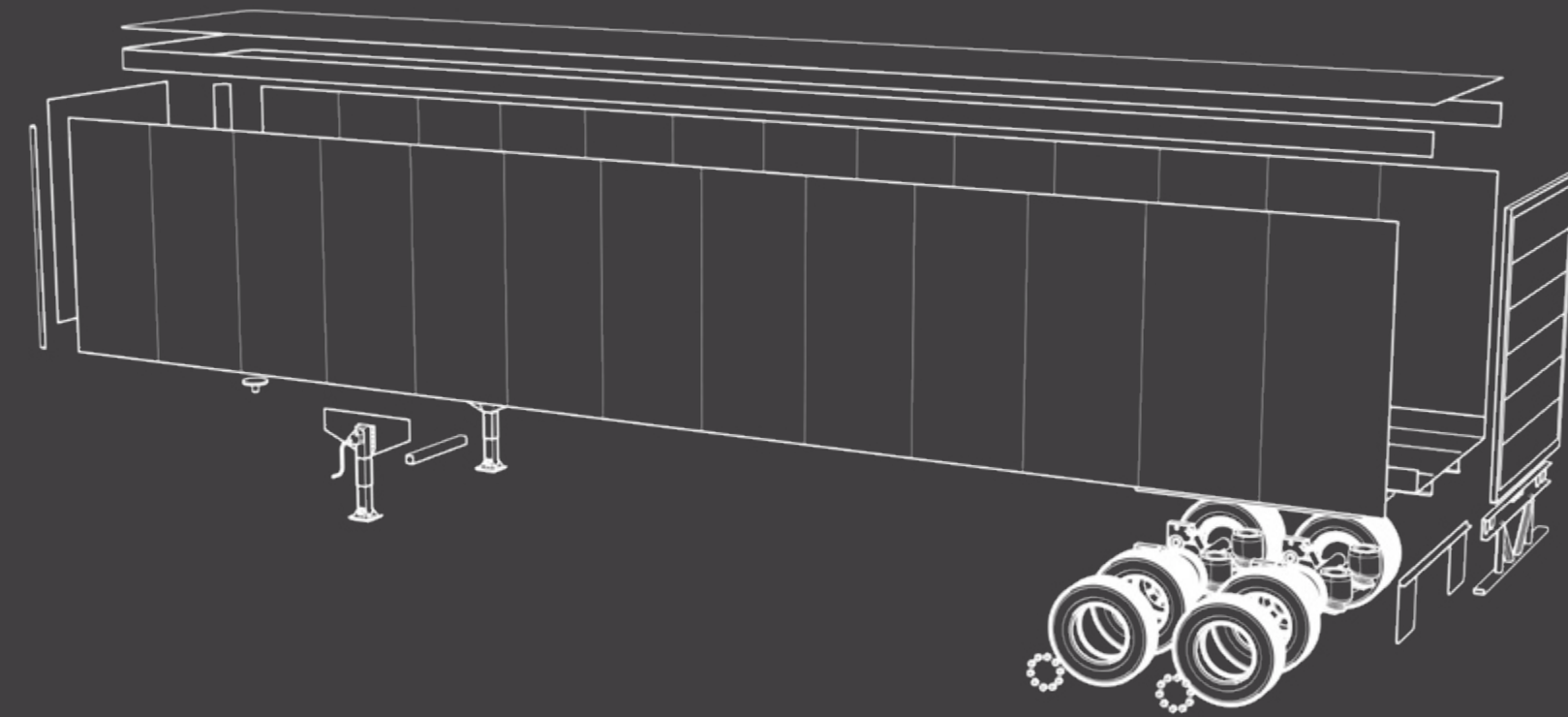


1059610

Notes:



NEWLIFE
HEAVY DUTY TRAILER PARTS



Couplers



Fontaine Plates

Part Number	Description	Max. Vertical Load	Gross Combined Weight	Image
SLTPL6000	6000 Series Left-Hand Manual Release Top Plate	50,000 lbs	95,000 lbs	A
SLTPL7000	7000 Series Left-Hand Manual Release Top Plate	55,000 lbs	140,000 lbs	B



A



B

Jost Plates

Part Number	Description	Max. Vertical Load	Max. Horizontal Load
JST37USA	JSK37U Cast Top Plate, Standard Lube, Air Release	55,000 lbs	150,000 lbs
JST37USL	JSK37U Cast Top Plate, Standard Lube, Lefthand Release	55,000 lbs	150,000 lbs
JST37UWL	JSK37U Cast Top Plate with Low Lube Plates, Lefthand Release	55,000 lbs	150,000 lbs
JST37YSA-YM10X	JSK37Y Cast Top Plate, Standard Lube, Air Release, 9.85" Mount	50,000 lbs	150,000 lbs
JST37010-PM8X	JSK37U Assembly Drop Handle, Lefthand Release	55,000 lbs	150,000 lbs



JST37USA



JST37USL



JST37UWL

Fontaine Kit

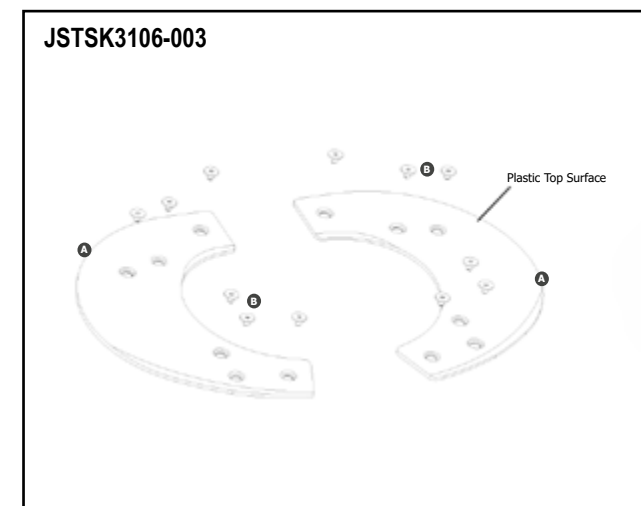
Part Number	Description
KIT-RX-67NTL	Major Rebuild Kit for Left-Hand 6000/7000/UNT Top Plates

*** KIT-RX-67NTL includes all moving pieces inside the top plate, but does not include bracket pins, bushings, or Clean Connect plate kits.



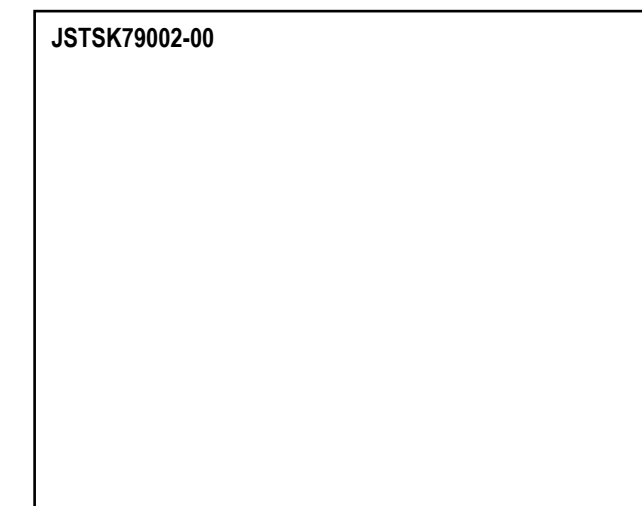
KIT-RX-67NTL

Jost Kits



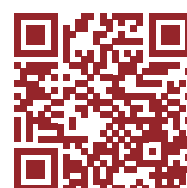
JSTSK3106-003

Part Number	Description
JSTSK3106-003	37UWL Low Lube Liner Plate Replacement Kit



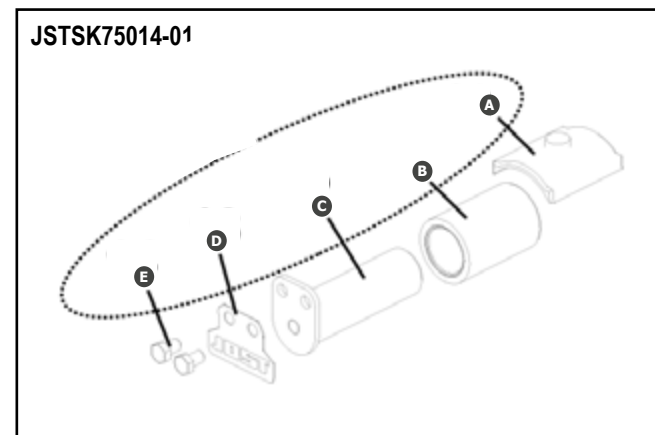
JSTSK79002-00

Part Number	Description
JSTSK79002-00	37U Retainer & Cushion Ring w/ Insert Pieces (2)

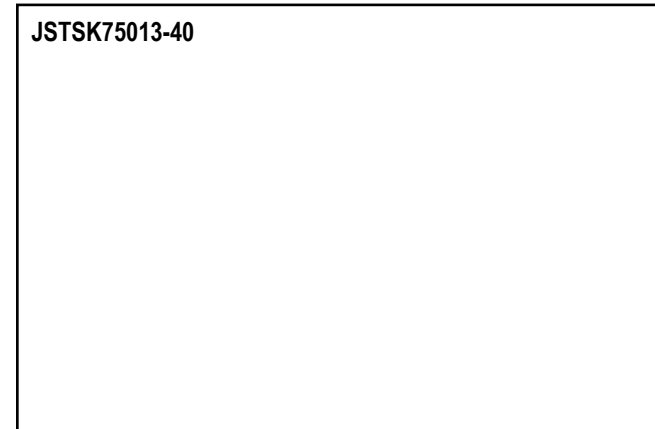




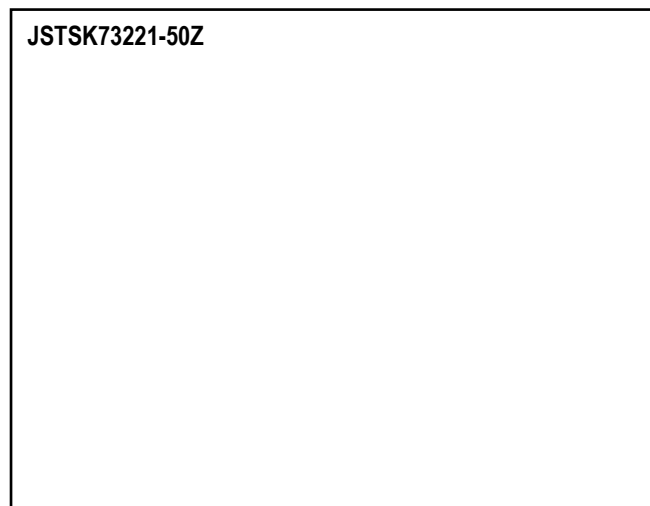
Jost Kits



Part Number	Description
JSTSK75014-01	37U Bracket Pin & Collar Kit
A JSTSK3105-95	Collar
B JSTSK2905-94	Bushing
C JSTSK79011-03	Bracket Pin - 50mm
D JSTSK73014-47	Tab Washer
E JSTSK70202-15	1/2-13 x 3/4 Ig. Hex Bolt



Part Number	Description
JSTSK75013-40	37U Steel Wear Ring & Lock-Jaw Rebuild Kit, LH Only
A JSTSK73121-55	Ring Bolt
B JSTSK3105-93	2-Pc Cushion Ring Retainer
C JSTSK3105-92	2-Pc Cushion Ring Insert
D JSTSK79002-01	1-Pc Steel Wear Ring
E JSTSK72106-67	Lock Jaw Pivot Pin
F JSTSK1489LZ	LH Lock Jaw
G JSTSK1489Z	RH Lock Jaw
H JSTSK847	Lock Jaw Spring
I JSTSK2106-69	Eye Bolt
J JSTSK2106-70	Ring
K JSTSK3108-02	Lubricating Kit



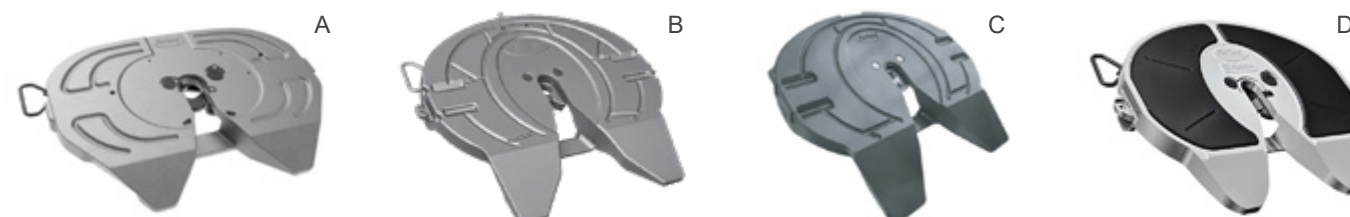
Part Number	Description
JSTSK73221-50Z	37U 2-Pc Cushion & Lock Jaw Rebuild Kit, LH Only
A JSTSK73121-55	Cushion Ring Bolt
B JSTSK3105-93	Retainer
C JSTSK3105-92	Cushion Ring Insert
D JSTSK79002-01	1-Pc Steel Wear Ring
E JSTSK72106-67	Lock Jaw Pivot Pin
F JSTSK1489LZ	LH Lock Jaw
G JSTSK1489Z	RH Lock Jaw
H JSTSK847	Lock Jaw Spring
I JSTSK2106-69	Eye Bolt



Part Number	Description	Part Number	Description
JSTSK75013-00	37UAL-37USL Cast Topplate	Q JSTSK71513	Pivot Bolt Assembly
A JSTSK73121-55	Ring Bolt	R JSTSK73221-01	Locking Bar Bolt Assembly
B JSTSK3105-93	2-Pc Cushion Ring Retainer	S JSTSK3105-140	Lever w/ Bushing
C JSTSK3105-92	2-Pc Cushion Ring Insert	T JSTSK79003-00	LH Lever - 7" B-Style Inboard
D JSTSK79002-01	1-Pc Steel Wear Ring	T1 JSTSK3205-06	Locking Bar
E JSTSK72106-67	Lock Jaw Pivot Pin	U JSTSK1489LZ	LH Lock Jaw
F JSTSK3105-95	Collar	U1 JSTSK1489Z	RH Lock Jaw
G JSTSK2905-94	Bushing	V JSTSK847	Lock Jaw Spring
H JSTSK79011-03	Bracket Pin - 50mm	V1 JSTSK2106-69	Eye Bolt
I JSTSK73014-47	Tab Washer	W JSTSK2106-70	Ring
J JSTSK7020-15	1/2-13 X 3/4 Ig. Hex Bolt	W1 JSTSK73205-07	Guide Piece
K JSTSK70993-00	Plate Spring	X JSTSK5007406	Adjusting Screw w/ Hex Nut
L JSTSK70301-00	External Tooth Lock Washer	X1 JSTSK3105-20	Double Tension Spring
M JSTSK73121-28B	Hex Bolt	Y JSTSK3108-02	Lubricating Kit
N JSTSK73015-15	LH Release Handle	Y1 LT JSK37-03	Rebuild Procedures
O JSTSK75016-04	Retractable Handle w/ Spring	Z JSTSK75020-01	Info Pack (LH & RH Release)
P JSTSK79009-27	RH Release Handle	Z1 JSTSK75020-05	Info Pack (Retractable)

SAF Holland Plates

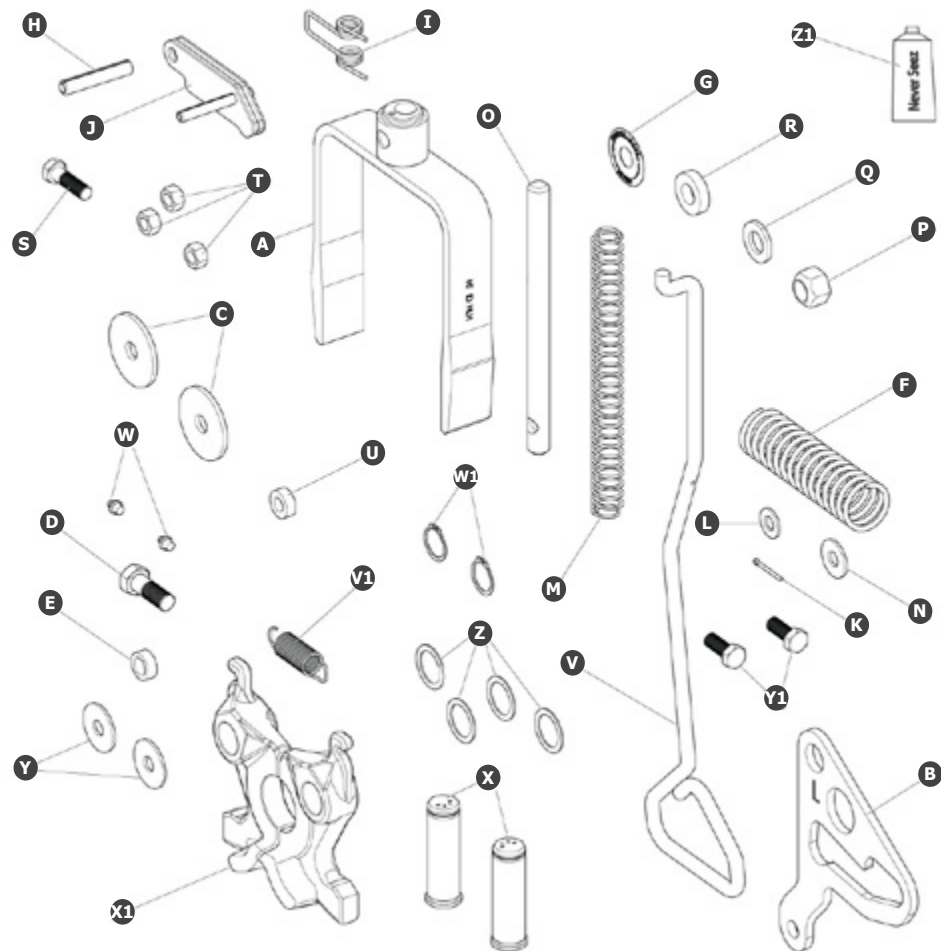
Part Number	Description	Max. Vertical Load	Max. Drawbar Pull	Image
SAFXA-171-A-L-P	FW17 Series Top Plate, Lightweight, 2" Kingpin	50,000 lbs	150,000 lbs	A
SAFXA-351-A-L-P	FW35 Series Top Plate w/ Pins, No Bushings, 2" Kingpin	55,000 lbs	150,000 lbs	B
SAFXA351-TT-1-P	FW35TT Series Yard Spotter Fifth Wheel Top Plate	50,000 lbs	150,000 lbs	C
SAFXA351-TT-2-P	FW35TT Series Terminal Tractor Fifth Wheel Top Plate	50,000 lbs	150,000 lbs	C
SAFXA-AL-A-L-P	Fifth Wheel w/ Low Lube Plates, Aluminum, Lefthand Release	55,000 lbs	150,000 lbs	D



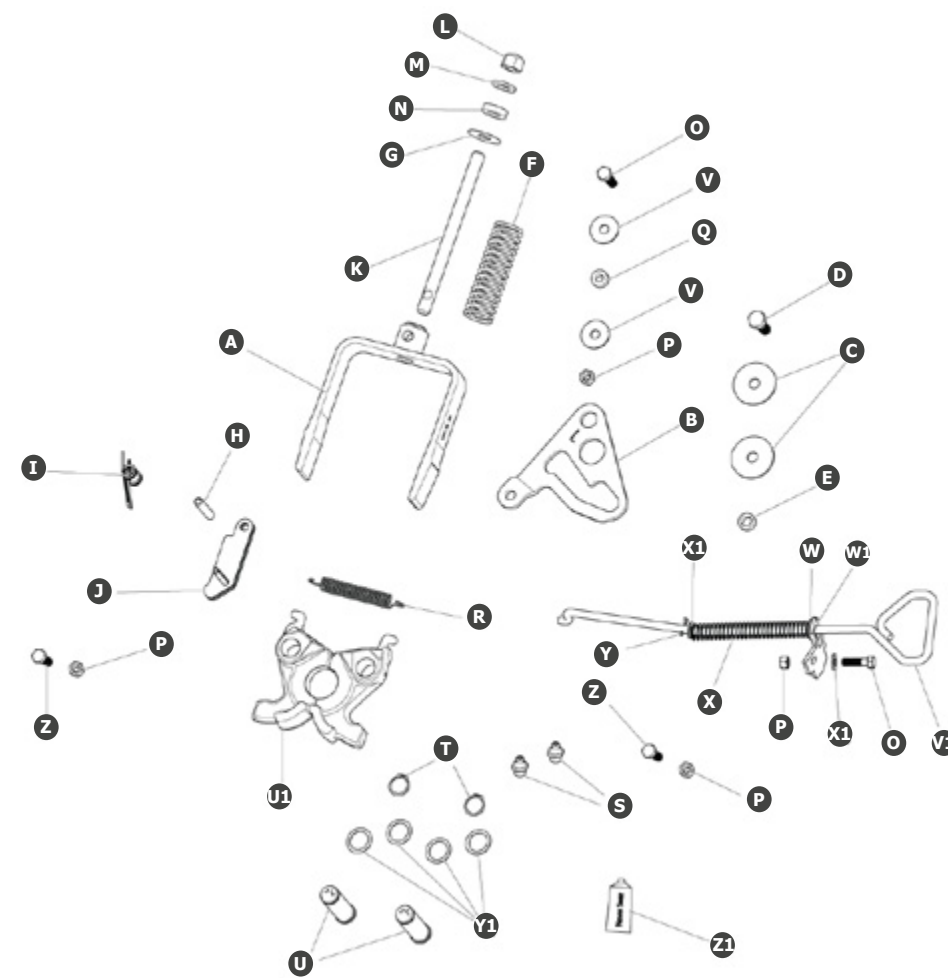


SAF Holland Kits

SAFRK-351-A-L



SAFRK-351-A-28-L

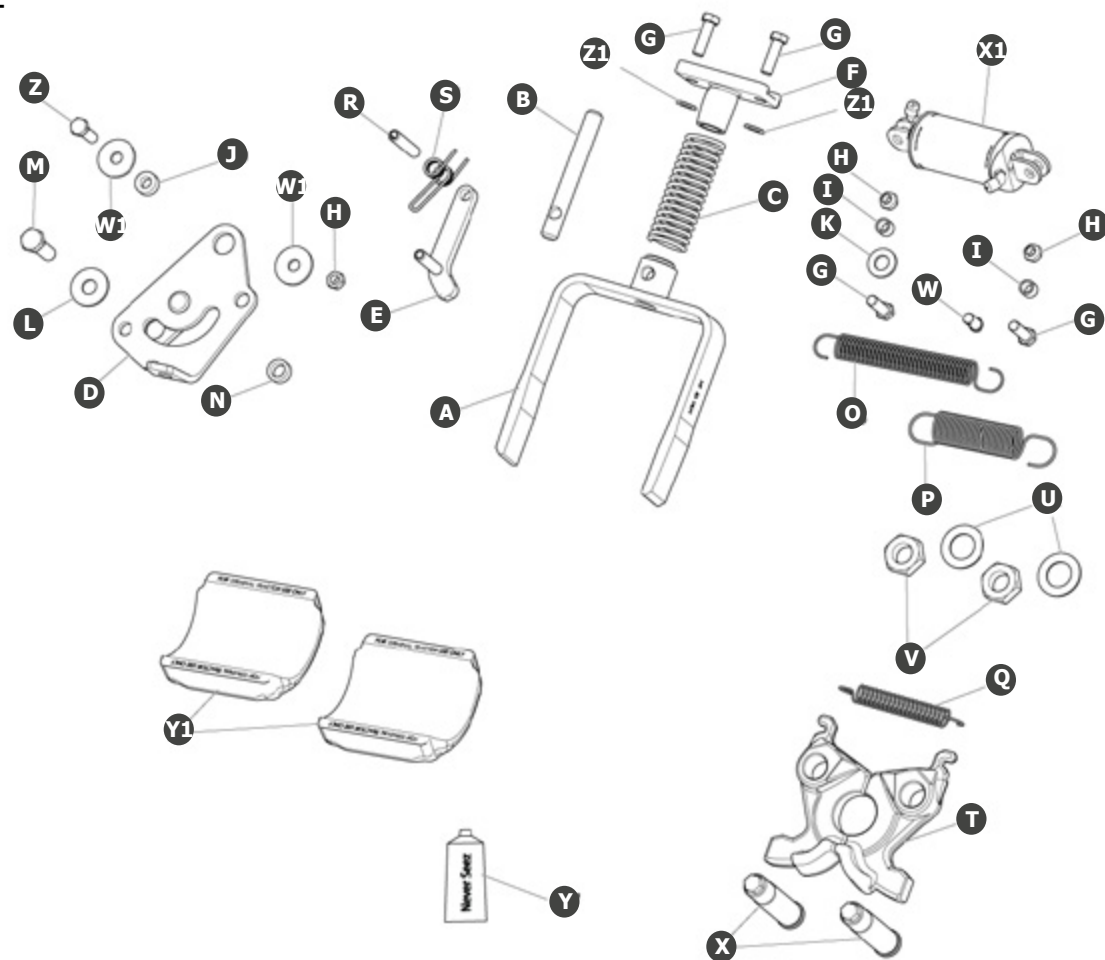


Part Number	Description	Part Number	Description
SAFRK-351-A-L	Rebuild Kit (XA-351-A-L/A-06-L)	P	SAFXB-HNH-34-F Nut, Lock, 3/4"-16
A	SAFXA-07295-P Yoke S/A	Q	SAFXB-PW-1316-112 Washer, 3/4"
B	SAFXA-07150-L-P Plate, Cam	R	SAFXB-1127 Washer, Rubber
C	SAFXB-07431 Washer	S	SAFXB-2083 HHCS, 1/2"-20 x 1-3/4"
D	SAFXB-CX-58-F-134 HHCS, 5/8"-18 x 1-3/4"	T	SAFXB-T-69-A Nut, Lock, 1/2"-20 (Grade C)
E	SAFXA-1507-1-P Roller, Cam	U	SAFXA-1029-P Roller Cam
F	SAFXB-1505-P Spring	V	SAFXA-07151-1-P Handle, Release
G	SAFXB-02312 Tag, Lock Adj.	V1	SAFXB-07628-P Spring, Extension
H	SAFXB-21-S-500-2750P Pin, Spring 1/2" x 2-3/4"	W	SAFXB-H-38 Fitting, Lube
I	SAFXB-2149-P Spring, Torsion	W1	SAFXB-07398 Ring, Retaining
J	SAFXA-11992-L-P Lock S/A, Secondary	X	SAFXA-07292-1-P Pin, Lock
K	SAFXB-07508 Cotter, 1/8" x 1-1/4"	X1	SAFXA-07296-P Lock Set
L	SAFXB-PW-1732-1-116 Washer, 1/2" I.D. x 1" O.D., SAE	Y	SAFXB-08559 Washer, 1/2" I.D. x 1-3/4" O.D.
M	SAFXB-07291-P Spring	Y1	SAFXB-C-95 HHCS, 1/2"-20 x 1-1/4"
N	SAFXB-T-49 Washer, 1/2"-USMCA Non-Eligible	Z	SAFXB-05859-1 Washer
O	SAFXA-1706-ST Shaft, Yoke	Z1	SAFXB-02967 Never-Seez

Part Number	Description	Part Number	Description
SAFRK-351-A-28-L	Rebuild Kit (XA-351-A-28-L)	P	SAFXB-T-69-A Nut, Lock, 1/2"-20 (Grade C)
A	SAFXA-07295-P Yoke S/A	Q	SAFXA-1029-P Roller Cam
B	SAFXA-07150-L-P Plate, Cam	R	SAFXB-07628-P Spring, Extension
C	SAFXB-07431 Washer	S	SAFXB-H-38 Fitting, Lube
D	SAFXB-CX-58-F-134 HHCS, 5/8"-18 x 1-3/4"	T	SAFXB-07398 Ring, Retaining
E	SAFXA-1507-1-P Roller, Cam	U	SAFXA-07292-1-P Pin, Lock
F	SAFXB-1505-P Spring	U1	SAFXA-07296-P Lock Set
G	SAFXB-02312 Tag, Lock Adj.	V	SAFXB-08559 Washer, 1/2" I.D. x 1-3/4" O.D.
H	SAFXB-21-S-500-2750P Pin, Spring 1/2" x 2-3/4"	V1	SAFXA-09962 Handle, Release (1/2" Dia.)
I	SAFXB-2149-P Spring, Torsion	W	SAFXB-T-49 Washer, 1/2"-USMCA Non-Eligible
J	SAFXA-11992-L-P Lock S/A, Secondary	W1	SAFXA-09963 Plate, Release Handle
K	SAFXA-1706-ST Shaft, Yoke	X	SAFXB-07291-P Spring
L	SAFXB-HNH-34-F Nut, Lock, 3/4"-16	X1	SAFXB-PW-1732-1-116 Washer, 1/2" I.D. x 1" O.D., SAE
M	SAFXB-PW-1316-112 Washer, 3/4"	Y	SAFXB-07508 Cotter, 1/8" x 1-1/4"
N	SAFXB-1127 Washer, Rubber	Y1	SAFXB-05859-1 Washer
O	SAFXB-2083 HHCS, 1/2"-20 x 1-3/4"	Z	SAFXB-C-95 HHCS, 1/2"-20 x 1-1/4"
		Z1	SAFXB-02967 Never-Seez



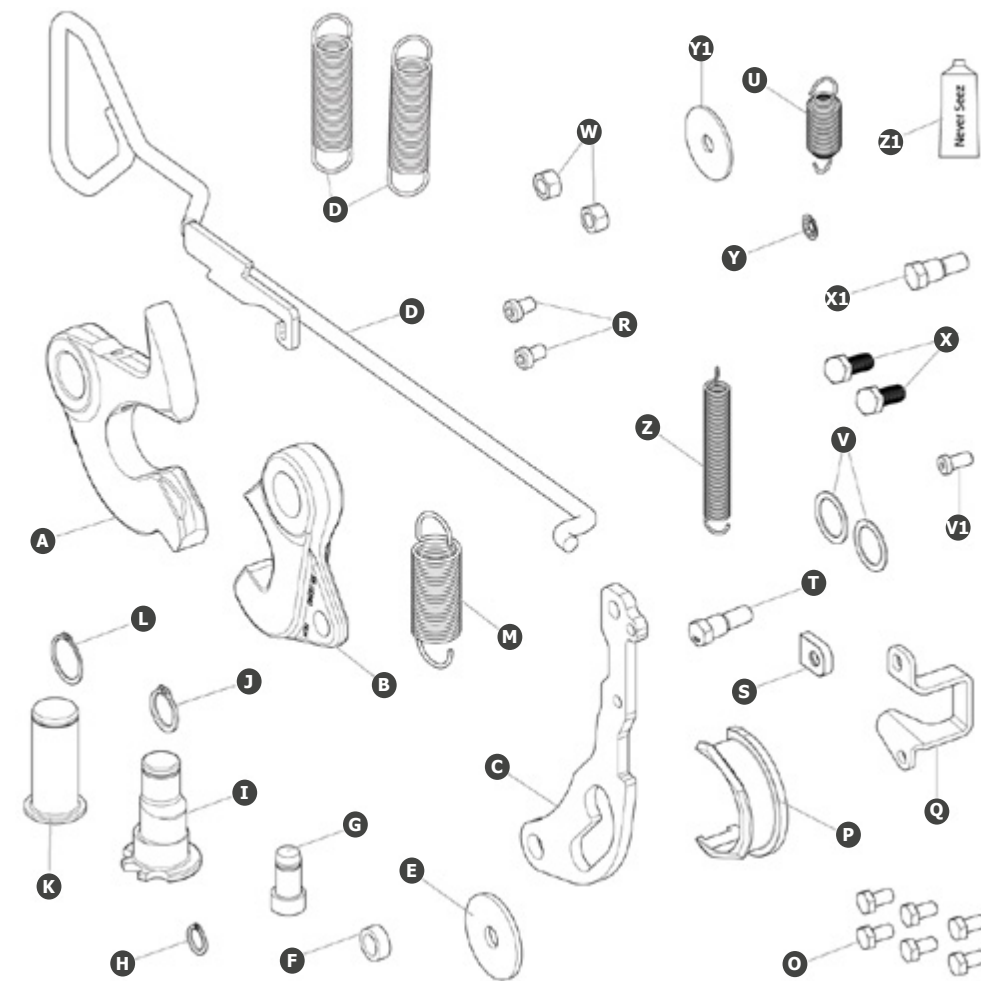
SAFRK-351-TT



Part Number	Description	Part Number	Description
SAFRK-351-TT	Rebuild Kit (XA-351-TT -1/-2)	P	SAFXB-10088-P Spring, Extension
A	SAFXA-12044-P Yoke S/A	Q	SAFXB-07628-P Spring, Extension
B	SAFXA-12038-ST Shaft, Yoke	R	SAFXB-21-S-500-2750P Pin, Spring 1/2" x 2-3/4"
C	SAFXB-1505-P Spring	S	SAFXB-2149-P Spring, Torsion
D	SAFXA-12036-A Cam S/A	T	SAFXA-08331-1-P Lock Set
E	SAFXA-3542-T-P Lock S/A, Secondary	U	SAFXB-10249 Washer, 1-1/8" Type B Narrow
F	SAFXD-12028-P Block, Spring	V	SAFXB-12027 Nut, Jam Lock, M27 x 3, Class 10
G	SAFXB-HCS-M12-40-Z HHCS, M12 x 1.75 x 40 10.9 Zinc	W	SAFXA-12039-P Pin, Clevis
H	SAFXB-HLN-M12-Z Nut, Lock M12	W1	SAFXB-76004 Washer, Plain Round 12mm
I	SAFXA-10810-P Bushing, Release Cam	X	SAFXA-12046-P Pin, Lock
J	SAFXA-1029-P Roller Cam	X1	SAFXA-12057 Cylinder S/A, Air
K	SAFXB-06180 Washer, 5/8" HDN.	Y	SAFXB-02967 Never-Seez
L	SAFXB-460 Washer, 5/8"	Y1	SAFXD-12026-P Insert, Pocket
M	SAFXB-12049 HHCS, M16 x 2 x 50	Z	SAFXB-HCS-M12-55-ZP HHCS, M12 x 1.75 x 55, Class 10.9
N	SAFXA-1507-1-P Roller, Cam	Z1	SAFXB-PW-M12-C Washer, M12, Hardened
O	SAFXB-10087-P Spring, Extension		



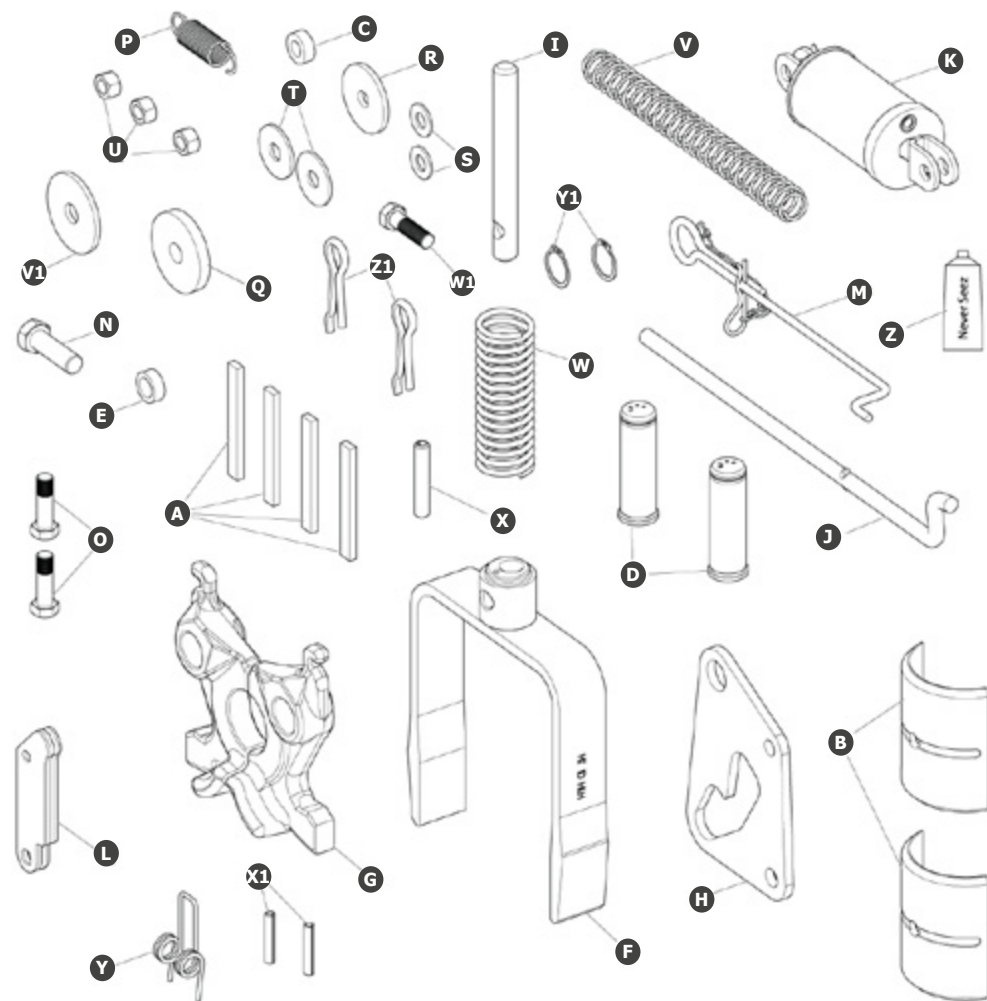
SAFRK-17-A-L-H



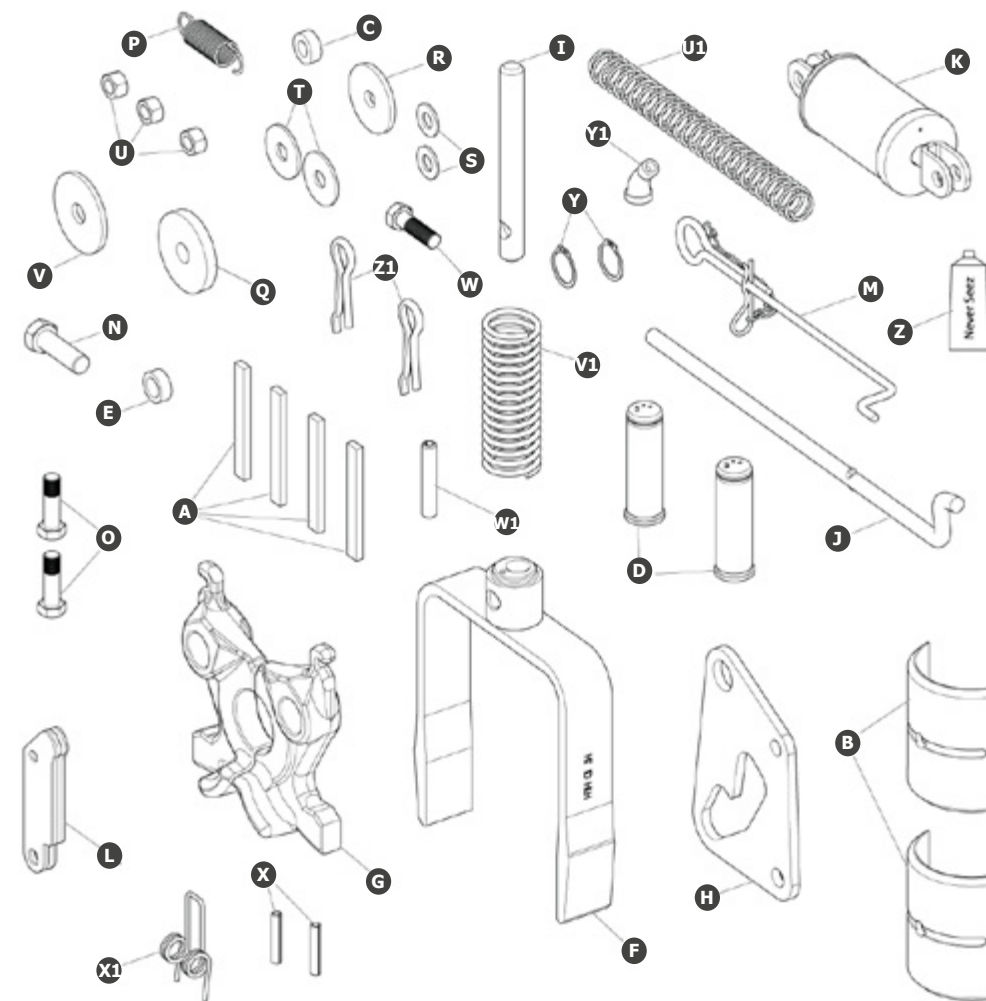
Part Number	Description	Part Number	Description
SAFRK-17-A-L-H	Rebuild Kit (XA-171-A)	P	SAFXD-12335-P Insert, Front Lock
A	SAFXA-10486-LL-P Lock	Q	SAFXA-12313-P Bracket, Handle Window
B	SAFXA-10487-P Hook	R	SAFXB-02747-M LHSCS, M10 x 1.5 x 16mm
C	SAFXA-12284-P Cam Release	S	SAFXG-10706-P Keeper, Insert
D	SAFXA-12286-P Handle S/A, Release	T	SAFXB-12288 HHSB, M12 x 1.75
E	SAFXB-07431 Washer	U	SAFXB-12289 Spring, Cam Extension
F	SAFXA-1507-1-P Roller, Cam	V	SAFXB-05859-1 Washer
G	SAFXA-10485-1 Pin, Hook	W	SAFXB-02724-1 LHSCS, 3/8"-16 x 3/4" LG
H	SAFXB-05855-1 Ring, Retaining, 3/4"	W1	SAFXB-T-69-A Nut, Lock, 1/2"-20 (Grade C)
I	SAFXA-10364-3-AL-P Pin, Adjusting	X	SAFXB-C-95 HHCS, 1/2"-20 x 1-1/4"
J	SAFXB-05855 Ring, Retaining, 1-1/8"	X1	SAFXB-11873 HHSB, 1/2"-20 Threads
K	SAFXA-06344-AL Pin, Lock	Y	SAFXB-10614 Retainer, Push, 3/8" Diameter
L	SAFXB-08905 Ring, Retaining, 1-3/8"	Y1	SAFXB-10294 Washer, 1/2" Stainless Steel
M	SAFXB-10490 Spring, Extension	Z	SAFXB-10563 Spring, Extension
N	SAFXB-10489 Spring, Extension	Z1	SAFXB-02967 Never-Seez
O	SAFXB-HCS-M10-18-Z HHCS, M10 x 1.5 x 18mm		



SAFRK351-03505-3



SAFRK351-03505

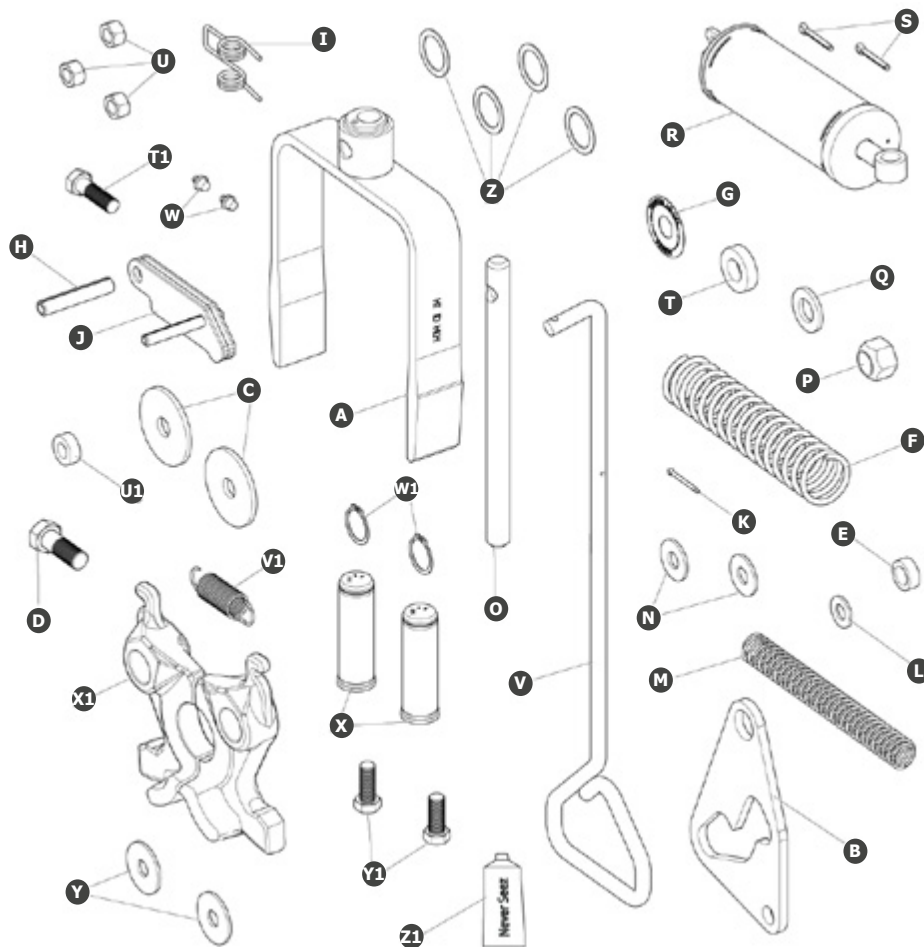


Part Number	Description	Part Number	Description
SAFRK351-03505-3	Rebuild Kit (XA-351-03505-3)	P SAFXB-07628-P	Spring, Extension
A SAFXA-0268	Block, Bearing Stop	Q SAFXA-09040-ST	Spacer, Cam
B SAFXA-03423	Bearing, Bracket	R SAFXB-1030	Washer, Special
C SAFXA-1029-P	Roller Cam	S SAFXB-PW-1731-1-116	Washer, 1/2" I.D. x 1: O.D., SAE
D SAFXA-07292-1-P	Pin, Lock	T SAFXB-08559	Washer, 1/2" I.D. x 1-3/4" O.D.
E SAFXA-1507-1-P	Roller, Cam	U SAFXB-T-69-A	Nut, Lock, 1/2"-20 (Grade C)
F SAFXA-07295-P	Yoke S/A	V SAFXB-07291-P	Spring
G SAFXA-08332-1-P	Lock Set	V1 SAFXB-07431	Washer
H SAFXA-08988-P	Plate, Cam	W SAFXB-1505-P	Spring
I SAFXA-1706-1-ST	Shaft, Yoke	W1 SAFXB-2083	HHCS, 1/2"-20 x 1-3/4"
J SAFXA-09041-P	Handle, Release	X SAFXB-21-S-500-2750P	Pin, Spring 1/2" x 2-3/4"
K SAFXA-2524-R-13-4	Cylinder S/A, Air	X1 SAFXB-21-S-375-1750ST	Pin, Spring 3/8" x 1-3/4"
L SAFXA-11992-P	Bar, Lock	Y SAFXB-2149-P	Spring, Torsion
M SAFXA-3546	Handle S/A, SEC Lock (1/4" Dia.)	Y1 SAFXB-07398	Ring, Retaining
N SAFXB-10035	HHCS, 5/8"-18 x 2"	Z SAFXB-02967	Never-Seez
O SAFXB-T-89-5	HHCS, 1/2"-20 x 1-3/4"	Z1 SAFXB-12043	Clinch Pin, 3/8" x 1-1/4"

Part Number	Description	Part Number	Description
SAFRK351-03505	Rebuild Kit (XA-351-03505/-2)	P SAFXB-07628-P	Spring, Extension
A SAFXA-0268	Block, Bearing Stop	Q SAFXA-09040-ST	Spacer, Cam
B SAFXA-03423	Bearing, Bracket	R SAFXB-1030	Washer, Special
C SAFXA-1029-P	Roller Cam	S SAFXB-PW-1732-1-116	Washer, 1/2" I.D. x 1" O.D., SAE
D SAFXA-07292-1-P	Pin, Lock	T SAFXB-08599	Washer, 1/2" I.D. x 1-3/4" O.D.
E SAFXA-1507-1-P	Roller Cam	U SAFXB-T-69-A	Nut, Lock, 1/2"-20 (Grade C)
F SAFXA-07295-P	Yoke S/A	U1 SAFXB-07291-P	Spring
G SAFXA-08988-P	Lock Set	V SAFXB-07431	Washer
H SAFXA-08988-P	Plate, Cam	V1 SAFXB-1505-P	Spring
I SAFXA-1706-1-ST	Shaft, Yoke	W SAFXB-2083	HHCS, 1/2"-20 X 1-3/4"
J SAFXA-09041-P	Handle, Release	W1 SAFXB-21-S-500-2750P	Pin, Spring 1/2" x 2-3/4"
K SAFXA-2524-R-13-1	Cylinder S/A, Air	X SAFXB-21-S-375-1750ST	Pin, Spring 3/8" x 1-3/4"
L SAFXA-11992-P	Bar, Lock	X1 SAFXB-2149-P	Spring, Torsion
M SAFXA-3546	Handle S/A, Sec Lock (1/4" Dia.)	Y SAFXB-07398	Ring, Retaining
N SAFXB-10035	HHCS, 5/8"-18 x 2"	Y1 SAFXB-698	Elbow, 45 Degree Street
O SAFXB-T-89-5	HHCS, 1/2"-20 x 1-3/4"	Z SAFXB-02967	Never-Seez
		Z1 SAFXB-12043	Clinch Pin, 3/8" x 1-1/4"



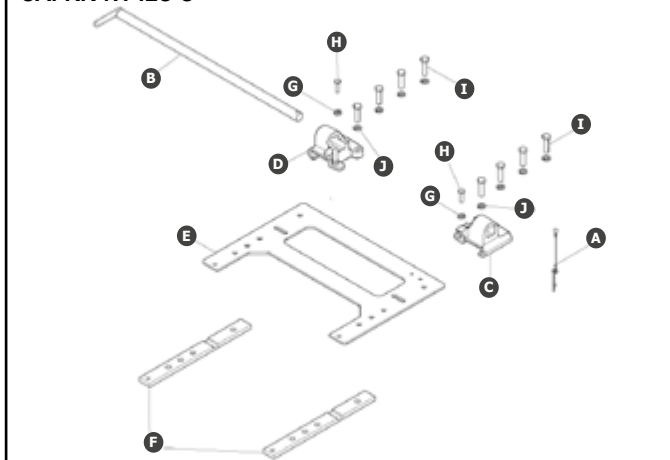
SAFRK-351-A-80L



Part Number	Description	Part Number	Description
SAFRK-351-A-80L	Rebuild Kit (XA-351-A-L/A-06-L)	P	SAFXB-PW-1316-112 Washer, 3/4"
A	SAFXA-07295-P Yoke S/A	Q	SAFXA-11713 Cylinder S/A, Air
B	SAFXA-1705-P Plate, Cam	R	SAFXB-06336 Pin, Cotter 3/16" x 1-1/4"
C	SAFXB-CX-58-F-134 HHCS, 5/8"-18 x 1-3/4"	S	SAFXB-1127 Washer, Rubber
D	SAFXA-1507-1-P Roller, Cam	T	SAFXB-2083 HHCS, 1/2"-20 x 1-3/4"
E	SAFXB-1505-P Spring	U	SAFXB-T-69-A Nut, Lock, 1/2"-20 (Grade C)
F	SAFXB-02312 Tag, Lock Adj,	U1	SAFXA-1029-P Roller Cam
G	SAFXB-21-S-500-2750P Pin, Spring 1/2" x 2-3/4"	V	SAFXA-07766-1-P Handle, Release
H	SAFXB-2149-P Spring, Torsion	V1	SAFXB-07628-P Spring, Extension
I	SAFXA-11992-L-P Lock S/A, Secondary	W	SAFXB-H-38 Fitting, Lube
J	SAFXB-07508 Cotter, 1/8" x 1-1/4"	W1	SAFXB-07398 Ring, Retaining
K	SAFXB-PW-1732-1-116 Washer, 1/2" I.D. x 1" O.D., SAE	X	SAFXA-07292-1-P Pin, Lock
L	SAFXB-07974-P Spring	X1	SAFXA-07296-P Lock Set
M	SAFXB-T-49 Washer, 1/2"-USMCA Non-Eligible	Y	SAFXB-08559 Washer, 1/2" I.D. x 1-3/4" O.D.
N	SAFXA-1706-ST Shaft, Yoke	Y1	SAFXB-C-95 HHCS, 1/2"-30 x 1-1/4"
O	SAFXB-HNH-34-F Nut, Lock, 3/4"-16	Z	SAFXB-05859-1 Washer
		Z1	SAFXB-02967 Never-Seez

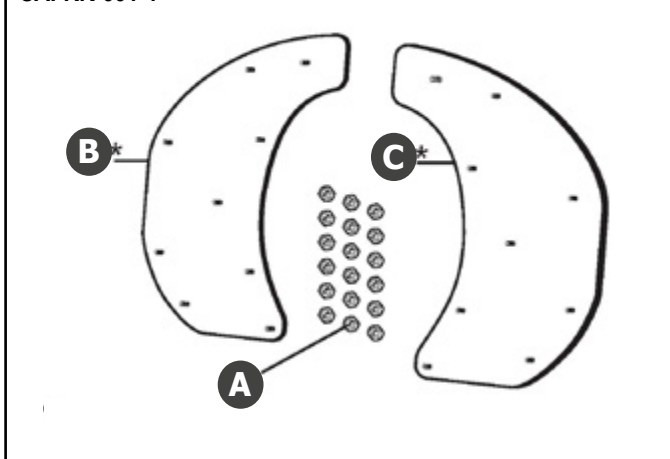


SAFRK-NT-ILS-S



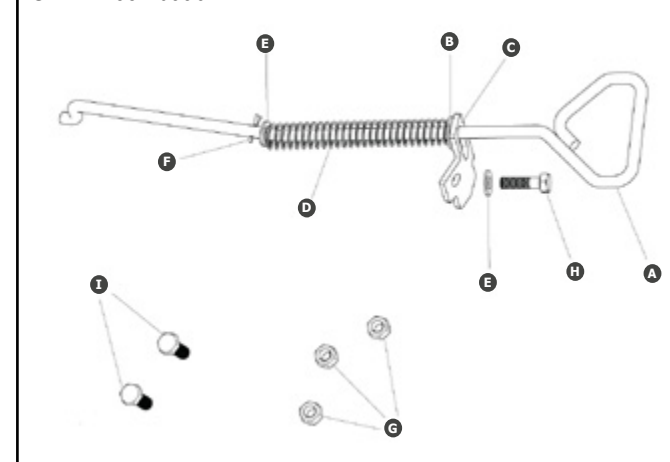
Part Number	Description
SAFRK-NT-ILS-S	No-Tilt ILS Retrofit, Slider
A	SAFXB-11157-1 Wire Lock Pin 1/4" & Lanyard
B	SAFXA-1934-1 Shaft S/A, Handle
C	SAFXA-11627-R No Tilt Bracket, RH-9"
D	SAFXA-11627-L No Tilt Bracket, LH-9"
E	SAFXA-11628-P Plate, No Tilt Sliding, Painted
F	SAFXA-11479 Block Stop
G	SAFXB-LW-M12-Z Washer, Spring Lock M12
H	SAFXB-HCS-M12-40-Z HHCS M12x1.75x40 10.9 Zinc Plate
I	SAFXB-HCS-M16-60-Z HHCS M16x2x60MM Zinc w/ Patch
J	SAFXB-LW-M16-Z Washer, Lock M16

SAFRK-331-1



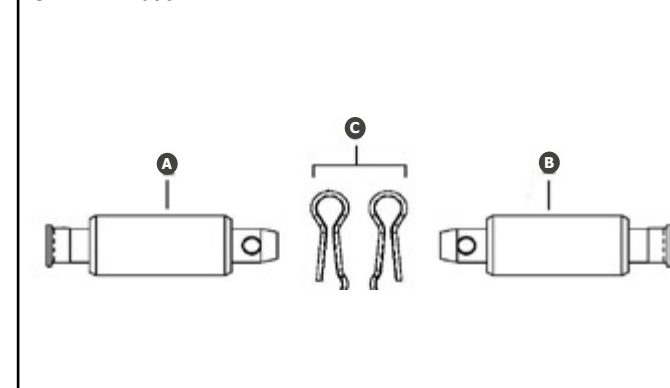
Part Number	Description
SAFRK-331-1	Kit, Low Lube Plates
A	SAFXB-08931 Nut, Lock 5/16"-18
B	SAFXA-08125-L Plate S/A, Lube
C	SAFXA-08125-R Plate S/A, Lube

SAFRK-351-09967

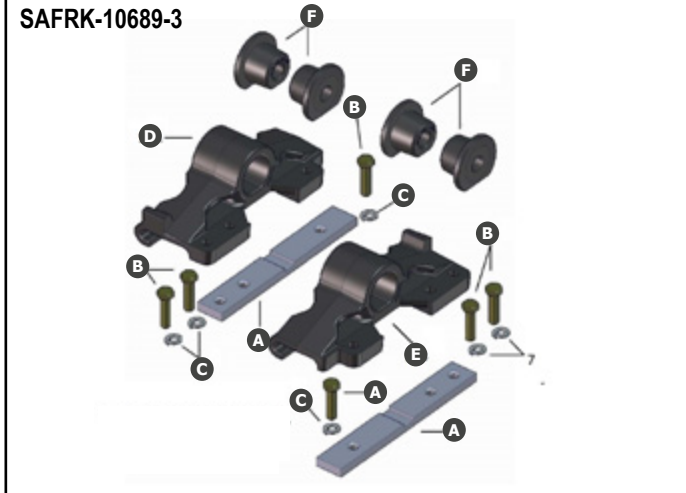


Part Number	Description
SAFRK-351-09967	Handle Kit, Lefthand Dolly
A	SAFXA-09962 Release Handle (1/2" Dia.)
B	SAFXB-T-49 Washer, 1/2" USMCA Non-Eligible
C	SAFXA-09963 Plate, Release Handle
D	SAFXB-07291-P Spring
E	SAFXB-PW-1732-1-116 Washer, 1.2" I.D. x 1" O.D.
F	SAFXB-07508 Cotter, 1/8" x 1-1/4"
G	SAFXB-T-69-A Nut, Lock, 1/2"-20 (Grade C)
H	SAFXB-2083 HHCS, 1/2"-20 x 1-3/4"
I	SAFXB-C-95 HHCS, 1/2"-20 x 1-1.4

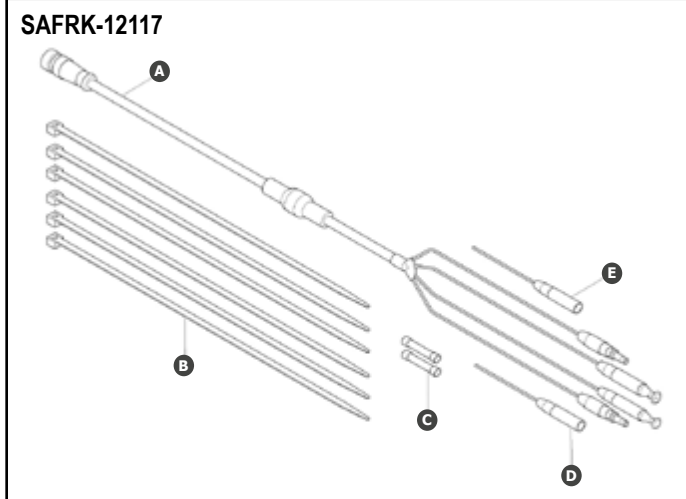
SAFRK-12058



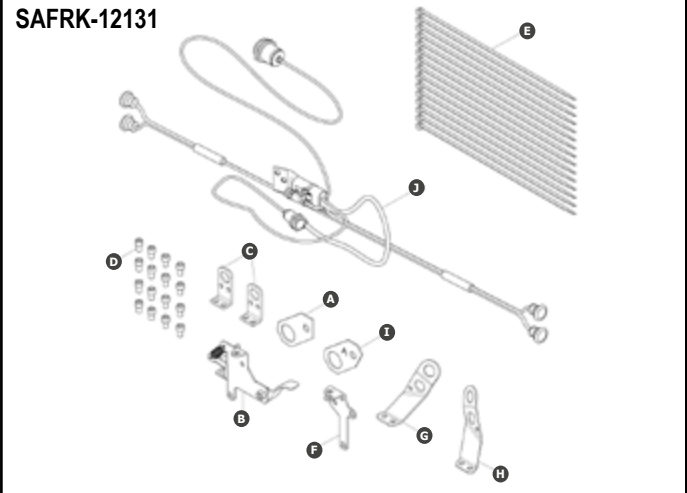
Part Number	Description
SAFRK-12058	Cushions and Pins Kit
A	SAFXA-12037-P Pin, Bracket
B	SAFXB-0011 Cushion, Rubber
C	SAFXB-12043 Clinch Pin, 3/8" x 1-1/4"



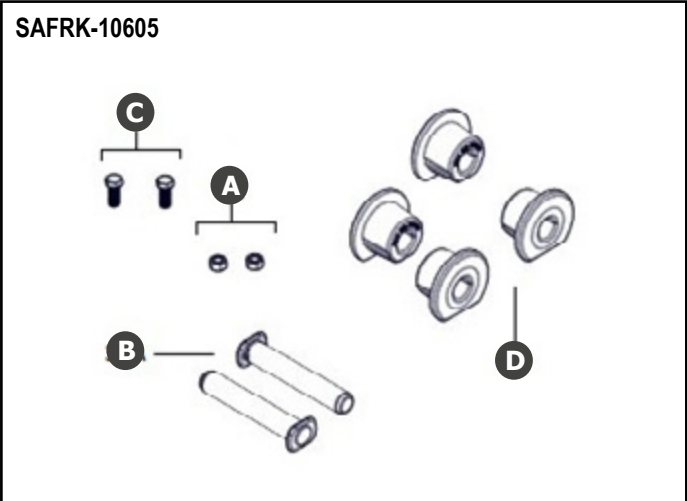
Part Number	Description
SAFRK-10689-3	Kit, ILS Bracket Replacement
A SAFXA-10711-1	Blockstop
B SAFXB-HCS-M16-60-Z	HHCS, 2.3"x0.6", Zinc w/ Patch
C SAFXB-LW-M16-Z	Washer Lock
D SAFXB-10605	Cushion
E SAFXD-10689-3R	Sliding Bracket
F SAFXD-10689-3L	Sliding Bracket



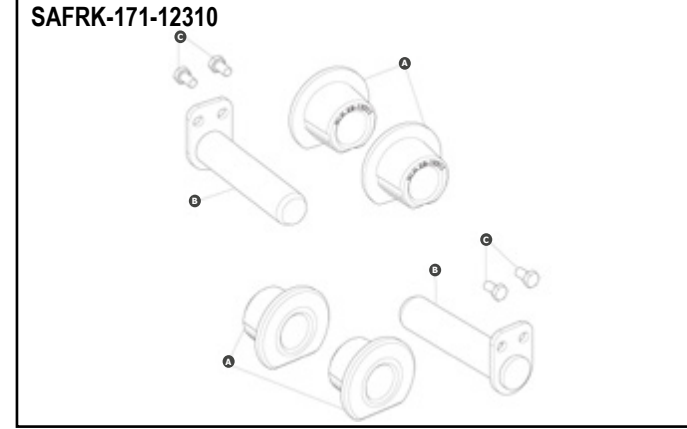
Part Number	Description
SAFRK-12117	Cable Kit, Elite Dolly Mounted
A SAFEE-12015-1L	Adapter, Coupling Monitor
B SAFXB-11970	Tie Cable
C SAFEE-12143	Crimp Slice 18-22 AWG
D SAFEE-12144-03	Harness Adapter Lead, Blue
E SAFEE-1214400	Harness Adapter Lead, White



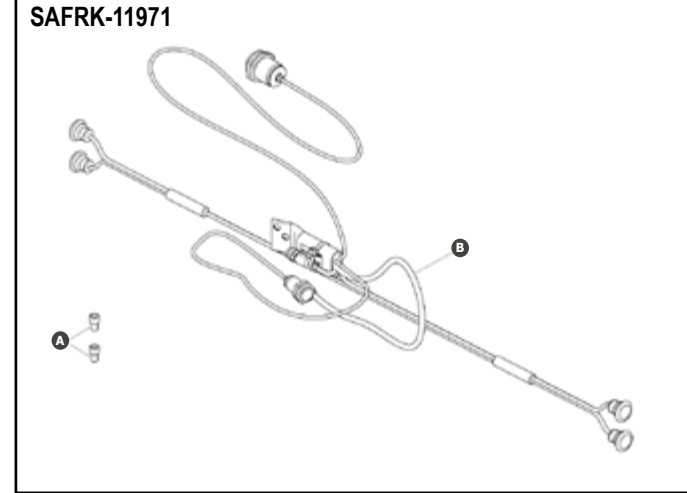
Part Number	Description
SAFRK-12131	Rebuild Kit, Elite Complete
A SAFXA-11968-P	Bracket, Cam Sensor
B SAFXA-11984	Sensor Flag Assembly, Kingpin
C SAFXA-11964-P	Bracket, Indicator Light
D SAFXB-TLN-2506	SCHS, 5/16"-18 x 1/2" LG
E SAFXB-11970	Tie Cable
F SAFXA-11967-L-P	Bracket, Wire Mount
G SAFXA-11966-L-P	Bracket, Inspection Light, Left
H SAFXA-11966-R-P	Bracket, Inspection Light, Right
I SAFXA-11968-AIR-P	Bracket, Cam Sensor, Air Release
J SAFEE-11971	Coupling Monitor Assembly



Part Number	Description
SAFRK-10605	Kit, ILS Bracket Pins&Cushions
A SAFXB-T-69-A	Nut, Lock 1/2"-20 (Grade C)
B SAFXB-C-95	HHCS, 1/2"-20 x 1-1/4"
C SAFXB-10605	Cushion
D SAFXE-06356-P	Bracket Pin, Painted



Part Number	Description
SAFRK-171-12310	Cushions and Pins Kit
A SAFXB-12311	Cushion
B SAFXA-12293-P	Pin S/A, Bracket
C SAFXB-HCS-M10-18-Z	HHCS, M10 x 1.5 x 18mm

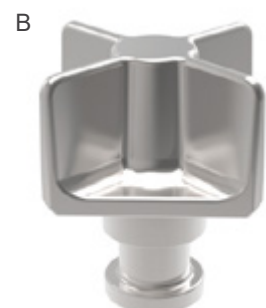
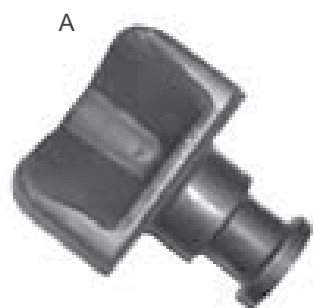


Part Number	Description
SAFRK-11971	Kit, Low Lube Plates
A SAFXB-TLN-2506	SCHS, 5/16"-18 x 1/2" LG
B SAFEE-11971	Coupling Monitor Assembly



Cruciform King Pins

Part Number	Description	Height	Bolster Plate Size	Image
1135923	Kingpin Cruciform Type	2-3/7"	1/4"	A
1135924	Kingpin Cruciform Type	3-5/8"	1/4"	B
1190374-100	Kingpin Lock	--	--	C



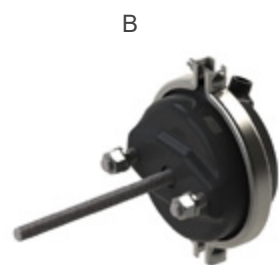
Mushroom King Pins

Part Number	Description	Diameter	Bolster Plate Size
1135920	Kingpin Mushroom Type	2"	1/4"
1135921	Kingpin Mushroom Type	2"	3/8"
1135922	Kingpin Mushroom Type	2"	1/2"



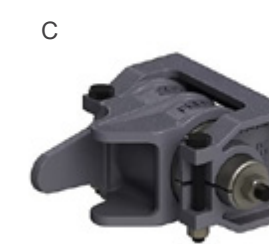
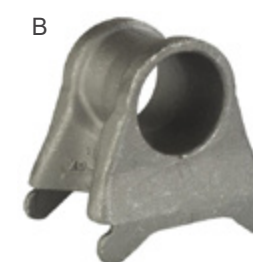
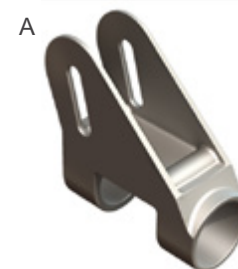
Pintle Hooks

Part Number	Description	Image
PRE10004696	Extended Life Reducing Coupling, 60,000 lbs Latch Capacity	A
PRE10000116	Air Chamber, Type 24	B
PRE10000262	Extended Life Low Profile Parts Kit, 15 Pieces	C
SAFRK-T-551	Swivel Mount Pin and Clevis Coupler Repair Kit	D



Drawbars

Part Number	Description	Bracket Size	Max Gross Trailer Weight (Pair)	Image
SAFXD-5315	SAF Holland XD-5315 Drawbar Hinge Bracket	3" Sq. Tubing or 3"x4" Rectangular Tubing	100,000 lbs	A
SAFXD-5275	SAF Holland XD-5275 Drawbar Hinge Weld-On Frame Bracket	4" Sq. Tubing or Standard Channel	100,000 lbs	B
PRE10000941	Premier 320 Hinge Assembly, Pair Hinges, Rubber Bushings	3" Sq. Tubing or Standard Channel	100,000 lbs	C
PRE10000944	Premier 320A Hinge Assembly, Pair Hinges, Poly Bushings	3" Sq. Tubing or Standard Channel	100,000 lbs	C
NL3001	Bushing Assembly Kit	--	--	D



Turntables

Part Number	Description	Diameter
JSTDK90-12	BPW Turntable	39.5"
JSTDK90-16.36.01	BPW Turntable, Fruehauf Replacement	43.5"
JSTDK90.16.39.00	BPW Turntable	43.5"
JSTDK90-163900D	BPW Turntable, East OE Drill Pattern	43.62"

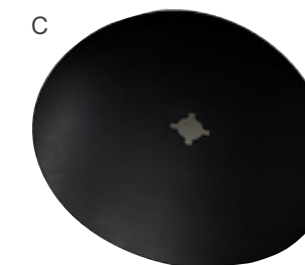
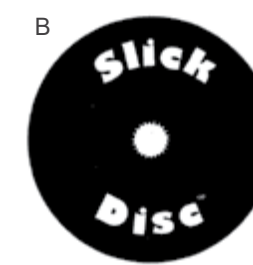
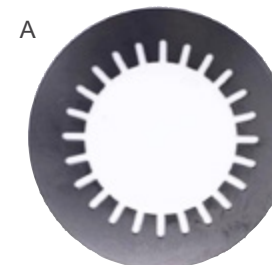


JSTDK90-12

Slick Discs

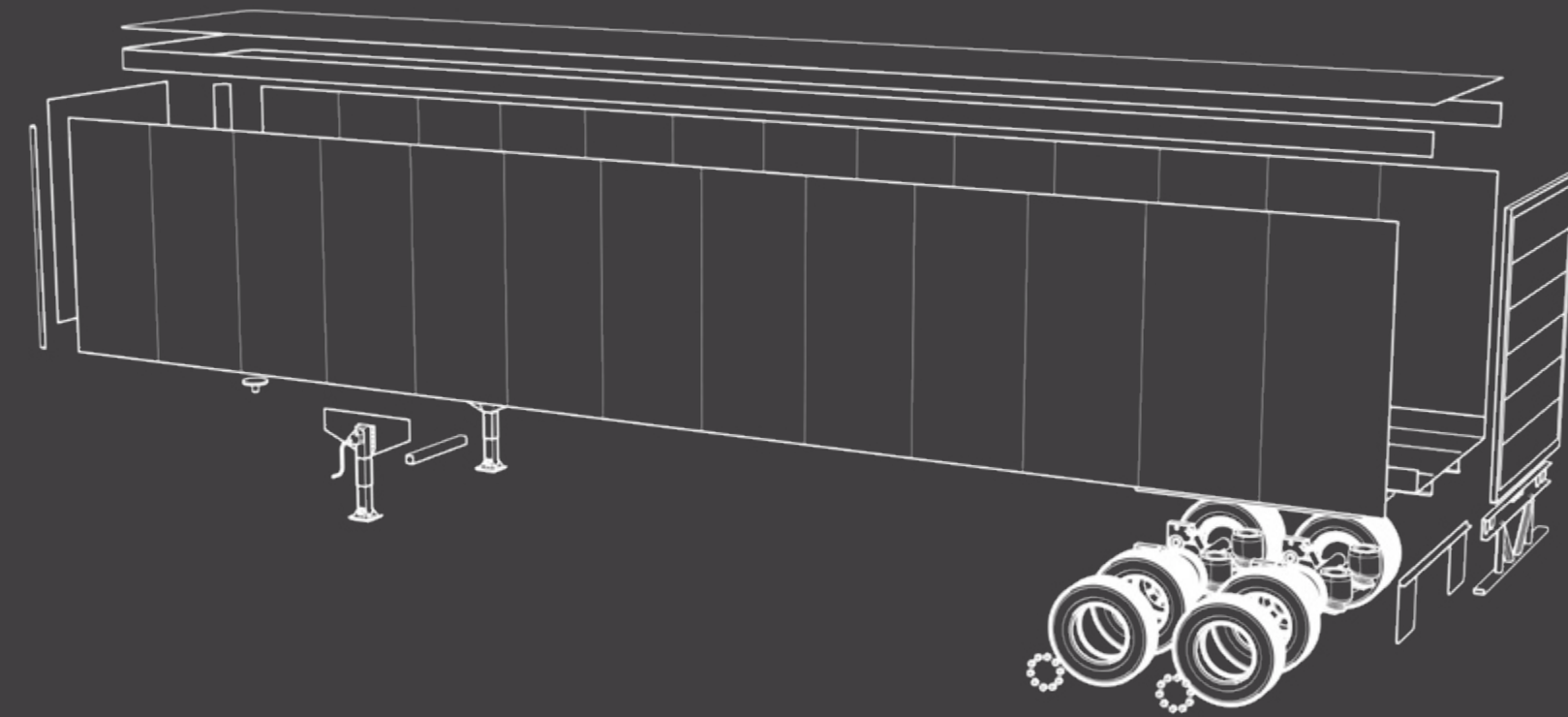
Part Number	Description	Diameter	Weight	Image
1010500	Fifth Wheel Retainer Ring Only	32"	2.5 lbs	A
1010501	Fifth Wheel Slick Disc w/ Disc & Ring, Universal Fit	32"	5 lbs	B
1010503	Fifth Wheel Slick Disc, No Ring Needed	32"	5 lbs	C

*** Slick Disc 1010501 is intended for use on trailers with a standard 2.875" diameter king pin, which is not worn or undersized.





NEWLIFE
HEAVY DUTY TRAILER PARTS



Electrical



7-Way & 6-Way Cable

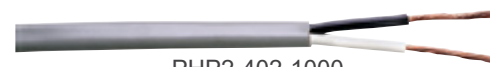
Part No.	Description	Wires	Color	Wire Size & Number of Conductors				Length
				#14	# 12	# 10	# 8	
PHP3-327	7-Way ABS Cable	7	Green	--	4	2	1	100'
PHP3-329	7-Way ABS Cable	7	Green	--	4	2	1	100'
1011410	7-Way Cable	7	Black	--	6	1	--	100'
1010126	7-Way Cable	7	Black	6	1	--	--	100'
1010126-500	7-Way Cable	7	Black	6	1	--	--	500'
1094755	6-Way Cable	6	Black	6	--	--	--	100'



PHP3-327

2 & 4 Conductor Cable

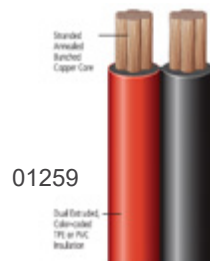
Part No.	Description	Wires	Color	Wires	Length
1012403	2 Wire - Jacketed	2	Gray	(2) 12ga	100'
PHP2-402	2 Wire - Jacketed	2	Gray	(2) 14ga	100'
PHP2-402-1000	2 Wire Parallel - Jacketed	2	Gray	(2) 14 ga	1000'
BET920190	3 Wire - Jacketed	3	--	(3) 14 ga	100'
BET920191	3 Wire - Jacketed	3	--	(3) 14 ga	300'
1011861	4 Wire - Jacketed	4	Black	(4) 14 ga	100'
1011861-500	4 Wire - Jacketed	4	Black	(4) 14 ga	500'



PHP2-402-1000

Tarp Cable

Part No.	Description	Wires	Color	Wires	Length
01268	Tarp Cable	2	Black/Orange	(2) 6 ga	100'
01259	Tarp Cable	2	Black/White	(2) 4 ga	100'
01256	Tarp Cable	2	Black/Red	(2) 2 ga	100'



01259

Primary Wire

Part No.	Description	Color	Size	Length
GRT87-7000	Primary Wire	Red	14 ga	100'
GRT87-7002	Primary Wire	Black	14 ga	100'
GRT87-7010	Primary Wire	Blue	14 ga	100'
1031531	Primary Wire	White	14 ga	100'
1031533	Primary Wire	Yellow	14 ga	100'
1031535	Primary Wire	Green	14 ga	100'
1031536	Primary Wire	Brown	14 ga	100'
1031538	Primary Wire	Black	12 ga	100'
1031542	Primary Wire	Red	12 ga	100'
1031543	Primary Wire	White	12 ga	100'
1031540	Primary Wire	Brown	12 ga	100'

Additional Colors and Wire Sizes Available!



GRT87-7002

7-Way Cable Assy

Part No.	Description	Type	Color	Plug	Leads	Length
PHP30-4921	7-Way ABS Cable Assy	Coiled	Green	Zinc	12"/48"	15'
PHP30-2051	7-Way ABS Cable Assy	Straight	Green	Zinc	--	12'
PHP30-2071	7-Way ABS Cable Assy	Straight	Green	Zinc	--	15'
PHP30-4621	7-Way ABS Cable Assy	Coiled	Green	Zinc	12'	15'
1010185	7-Way, 6/14-1/12GA	Coiled	Black	Zinc	12"	12'
1010186	7-Way, 6/12-1/10GA	Coiled	Black	Zinc	12"	12'
1010187	7-Way, 6/14-1/12GA	Coiled	Black	Zinc	12"	15'
1010188	7-Way, 6/12-1/10 GA	Coiled	Black	Zinc	12"	15'



30-2071

30-4921



1010188

ISO Cable Assy

Part No.	Description	Type	Color	Plug	Leads	Length
PHP31-9323	7-Way ISO Cable Assy	Coiled	Yellow	Zinc	12"	12'
PHP31-9623	7-Way ISO Cable Assy	Coiled	Yellow	Zinc	12"	15'
PHP31-9923	7-Way ISO Cable Assy	Coiled	Yellow	Zinc	12"/48"	15'
PHP31-2053	7-Way ISO Cable Assy	Straight	Yellow	Zinc	--	12'
PHP31-2073	7-Way ISO Cable Assy	Straight	Yellow	Zinc	--	15'



31-2053

PHP31-9923

4 & 6 Way Cable Assy

Part No.	Description	Type	Color	Plug	Length
PHP19-6710	Coiled Assy, 6/16 ga	6-Way	Blue	Platic	10'
PHP19-6712	Coiled Assy, 6/16 ga	6-Way	Blue	Platic	12'
PHP19-4715	Coiled Assy, 4/16 ga	4-Way	Blue	Platic	15'
PHP19-4712	Coiled Assy, 4/16 ga	4-Way	Blue	Platic	12'



PHP19-6712

Lift Gate Assy

Part No.	Description	Type	Color	Leads	Length
1010196	Coiled Lift Gate Assembly	Single	Black	12"	15'
TCT7DTB522MW	Coiled Lift Gate Assembly	Dual	Black	12"	15'
PHP23-2628	Coiled Lift Gate Assembly	Dual/Single	Black	12"	15'
PHP23-2626	Coiled Lift Gate Assembly	Dual	Black	12"	15'
TCT7DDB522MW	Coiled Lift Gate Assembly	Dual/Vertical	Red	12"	15'
PHP23-2630	Coiled Lift Gate Assembly	Dual/Single	Black	48"/24"	15'
PHP23-2251	Straight Lift Gate Assembly	Dual	Black	12"	12'



PHP23-2628



PHP23-2626



PHP23-2630



TCT7DDB522MW



Butt Connectors

Wire Size	Color	PVC	Heat Shrink	Crimp and Solder
22 GA - 18 GA	Red	FCP20080	FCP20082	--
16 GA - 14 GA	Blue	FCP20170	FCP20172	FCP80172
12 GA - 10 GA	Yellow	FCP20310	FCP20312	--



FCP20082

Ring Terminals

Wire Size	Color	PVC		Heat Shrink			
		#10	1/4"	#10	1/4"	5/16"	3/8"
22 GA - 18 GA	Red	FCP50040	FCP50044	FCP40230	FCP40240	FCP40250	FCP40260
16 GA - 14 GA	Blue	FCP50100	FCP50101	FCP40100	FCP40101	FCP40102	FCP40103
12 GA - 10 GA	Yellow	FCP50230	FCP50240	FCP40230	FCP40240	FCP40250	FCP40260



FCP50230

Bullet Connectors

Wire Size	Color	STA-DRY®	
		Male - .180" Dia	Female - .180" Dia
22 GA - 18 GA	Red	PHP1-2268	PHP1-2266
16 GA - 14 GA	Blue	PHP1-2269	PHP1-2267



PHP1-2266

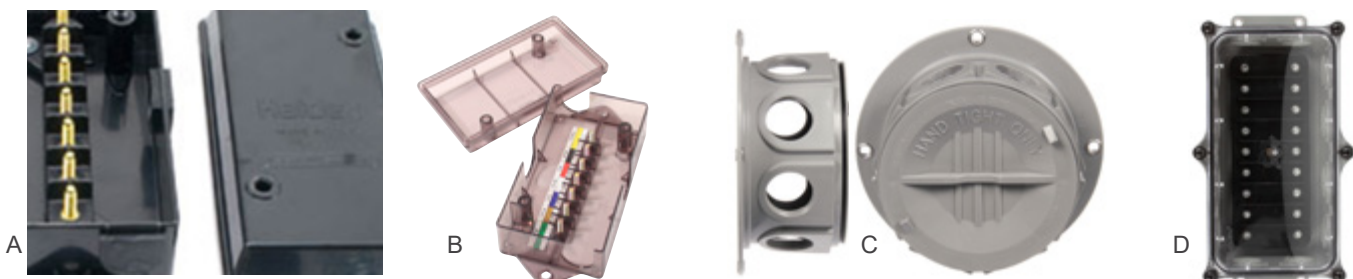


PHP1-2269

- Crimp barrel for mechanical reliability.
- Tin-plated copper for corrosion resistance.
- Adhesive-lined heat shrink tubing ensures a water tight seal to prevent contaminants from corroding the wire.

Junction Boxes

Part No.	Description	Terminals	Mount	Color	Ports	Image
FC22010-40	7-Terminal Junction Box	7	2-Hole	Black	4	A
PHP15-961	7-Terminal Junction Box	7	2-Hole	Clear	4	B
TRL50400	Super 50, 8 Port Box	8	4-Hole	Grey	8	C
TRL50600	16-Terminal Junction Box	16	4-Hole	Clear/Grey	12	D
HLXBE22040	7-Terminal Junction Box	7	2-Hole	Black	7	A



Electrical Plugs

Part No.	Description	Material	Spring	Image
PHP15-730	7-Way Plug	Zinc Diecast	Yes	A
PHP15-630	6-Way Plug	Zinc Diecast	Yes	B
PHP15-610	6-Way Plug	Zinc Diecast	No	B
PHP15-430	4-Way Plug	Zinc Diecast	Yes	C
PHP15-410	4-Way Plug	Zinc Diecast	No	C
PHP15-339	Vertical Dual Pole Plug	Zinc Diecast	Yes	D
PHP15-335	Single Pole Plug	Zinc Diecast	Yes	E
TCT670-DDSG	Dual Pole Vertical/Horizontal Plug	2-Hole	Black	F

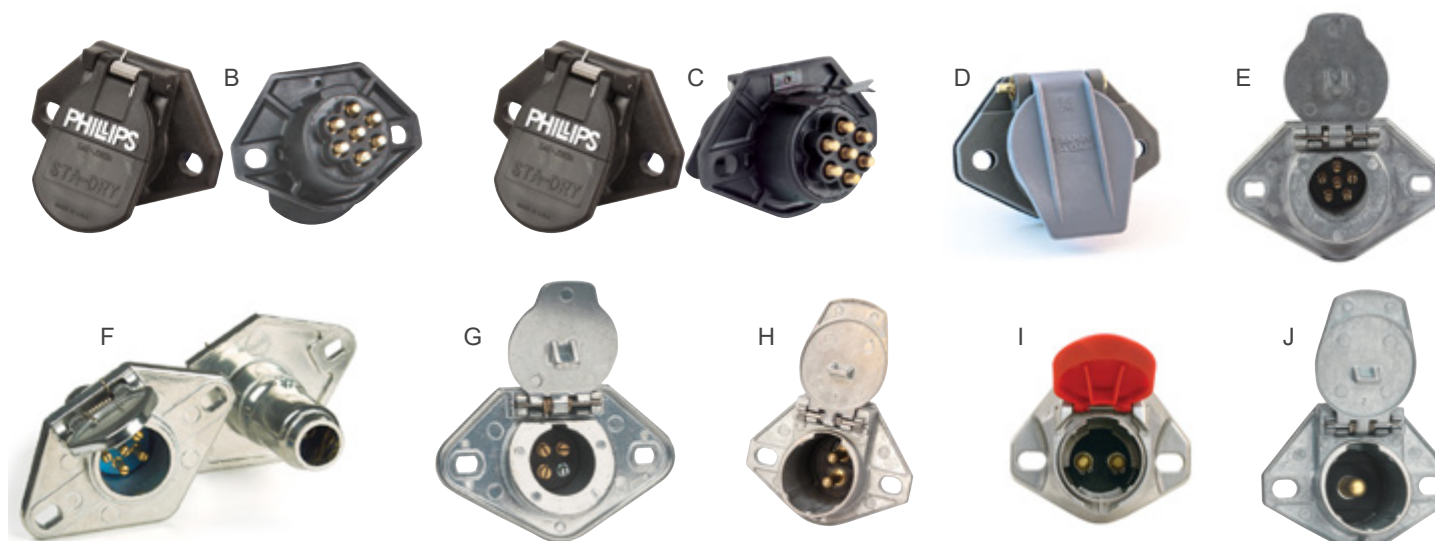
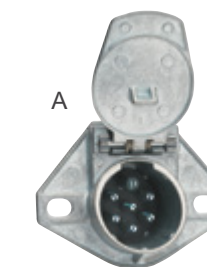


Scan to see Phillips Electrical Plugs.



Electrical Sockets

Part No.	Description	Material	Connection	Image
PHP15-720	7-Way Socket	Zinc Diecast	Screw	A
PHP16-724	7-Way Sta-Dry Socket	Composite	Bullets	B
PHP16-726	7-Way QCS Socket	Composite	--	C
38502	Smart Box 7-Way Socket	Composite	Bullets	D
PHP15-600	6-Way Socket	Zinc Diecast	Screw	E
GRT82-1016	6-Way Socket	Zinc Diecast	Screw	F
PHP15-400	4-Way Socket	Zinc Diecast	Screw	G
PHP15-328	Vertical Dual Pole Socket	Zinc Diecast	Screw	H
TCT670-22	Horizontal Dual Pole Socket	Zinc Diecast	Screw	I
PHP15-320	Single Pole Socket	Zinc Diecast	Screw	J





Nose Boxes

Part No.	Description	Pin Type	Breakers
PHP15-760	7-Way Nose Box Socket	Split	--
PHP15-762	7-Way Nose Box Socket, w/Breakers	Split	20 AMP
PHP15-763	7-Way Nose Box Socket, w/Breakers	Split	30 AMP
PHP16-7602-28	7-Way Nose Box Kit, Includes Nose box (PHP16-775), 28-Pin, Bullet Connector	Solid	--
PHP16-775	Nose Box Kit - Includes Box, Grommet, and Backplate		



Scan to see Phillips Nose Boxes.



PHP15-760



PHP16-775



PHP15-762

Nose Box Breakers

Part No.	Description	Amperage
PHP53-115	Nose Box Circuit Breaker	15 AMP
PHP53-120	Nose Box Circuit Breaker	20 AMP
PHP53-130	Nose Box Circuit Breaker	30 AMP



PHP53-115

Pigtails

TruckLite P/N	Grote P/N	Optronics P/N	Wires & Length	Connection	Function	
TRL94718	--	--	2 Wires, 5"	.180 Bullet / Ring	Marker Clearance	
TRL94862	--	--	2 Wires, 5"	.180 Bullet / Ring	Marker Clearance	
TRL94902	--	OPSA46PB	2 Wires, 7"	Stripped / Ring	Marker Clearance	
TRL94926	GRT67000	OPSA45PB	3 Wires, 4"	Stripped / Ring	Headlight	
TRL94992	GRT93169001	--	2 Wires, 18"	.Stripped / Ring	Marker Clearance	
TRL94993	--	OPSA47PB	3 Wires, 5"	Stripped / Ring	Marker Clearance	
TRL97005	--	--	2 Wires, 5"	.180 Bullet	Stop/Turn/Tail	
--	--	OPSA45PMB	2 Wires, ---	Stripped / Ring	--	
--	GRT66910	--	2 Wires, ---	.180 Bullet / Ring	--	
--	GRT66931	--	2 Wires, ---	.180 Bullet	--	
--	GRT67002	--	2 Wires, ---	Stripped / Ring	--	



Since 1955, Truck-Lite product innovations have established the industry benchmark—time and time again. Approaching innovation with both an open mind and a steady hand has earned us the trust of customers for decades—and we do not intend to stop now.

Backed by a global technology leader, Clariance Technologies, we understand where commercial transportation is going and are developing the right innovations customers need. That means while you are focused on your business today, we can focus on where the industry is going tomorrow.

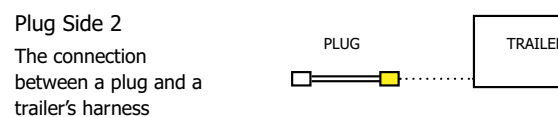
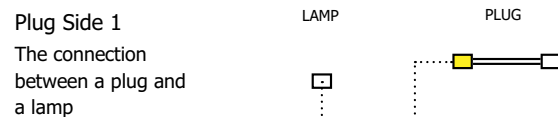
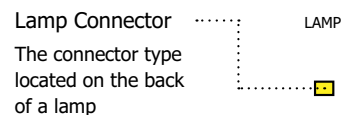
Common Connectors

PL-10 	19 Series Male Pin 	Right Angle PL-3 	Fit 'N Forget S.S. 	Fit 'N Forget M/C 	Right Angle PL-2 	Straight PL-2 	Straight PL-3 	Female Fit 'N Forget S.S. 	Female PL-10
Female PL-3 	Female PL-2 	Super 21 Plug 	M/C Self Seal 	Male Pin 	Female Male Pin 	19 Series Hot Wire 	Female Right Angle .180 Bullet Terminal 	Female H4 Connector 	H13 Connector
H5 Connector 	Male H4 Connector 	Ring Terminal with .180 Bullet 	Female .180 Bullet 	Deutsch Connector 	Molded Four Position .180 	2 Position .180 Bullet 	Heat Shrink Splice 	Female TA-1415 	.156 Bullet Shunt
.180 Bullet/Ring Terminal 	.180 Bullet 	Ring Terminal / Stripped End 	Stripped End 	.156 Bullet 	Female .156 Bullet 	Blunt Cut 			

Connection Information

When it comes to choosing the correct lamps for your truck or trailer, it's important to know the connection type on your vehicle's harness.

If the harness connector type does not match your desired light (lamp connector), you will need a plug to complete the connection.



Stop/Tail/Turn

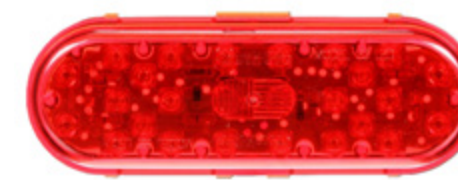
TruckLite P/N	Series	Color	Size	Shape	Mount Type	Type	Lamp Connection	Diodes / Bulbs
TRL40202R	40 Series	Red	4"	Round	Grommet	Incandescent	PL-3	1
TRL4050	Signal-Stat	Red	4"	Round	Grommet	LED	PL-3	24
TRL4050A	Signal-Stat	Amber	4"	Round	Grommet	LED	PL-3	24
TRL40242R	40 Series	Red	4"	Round	Grommet	Incandescent	PL-3	24
TRL40282R	40 Series	Red	4"	Round	Grommet	Incandescent	PL-3	1
TRL44030R	Super 44	Red	4"	Round	Grommet	LED	Fit 'N Forget S.S.	6
TRL44032R	Super 44	Red	4"	Round	Flange	LED	Fit 'N Forget S.S.	6
TRL44302R	Super 44	Red	4"	Round	Grommet	LED	Fit 'N Forget S.S.	6
TRL44322R	Super 44	Red	4"	Round	Flange	LED	Fit 'N Forget S.S.	6
TRL60202R	60 Series	Red	2"x6"	Oval	Grommet	Incandescent	PL-3	1
TRL60250R	60 Series	Red	2"x6"	Oval	Grommet	LED	Fit 'N Forget S.S.	26
TRL6050	Signal-Stat	Red	2"x6"	Oval	Grommet	LED	PL-3	24



Grommet



Flange



Oval



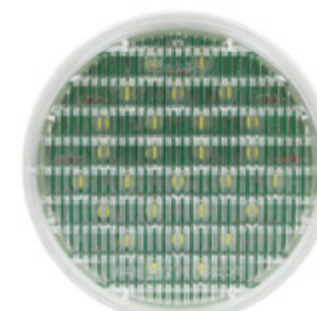
Scan to see Truck-Lite Stop/Turn/Tail Lights.

Back-Up

TruckLite P/N	Series	Color	Size	Shape	Mount Type	Type	Lamp Connection	Diodes / Bulbs
TRL40260	Super 40	Clear	4"	Round	Flange	Incandescent	PL-2	1
TRL44206C	Super 44	Clear	4"	Round	Grommet	LED	Fit 'N Forget S.S.	27
TRL44346C	Super 44	Clear	4"	Round	Flange	LED	Fit 'N Forget S.S.	6
TRL44350C	Super 44	Clear	4"	Round	Grommet	LED	Fit 'N Forget S.S.	6
TRL44990C	Super 44	Clear	4"	Round	Grommet	LED	Fit 'N Forget S.S.	6



Super 40



Super 44



Super 44



Scan to see Truck-Lite Back-Up Lights.

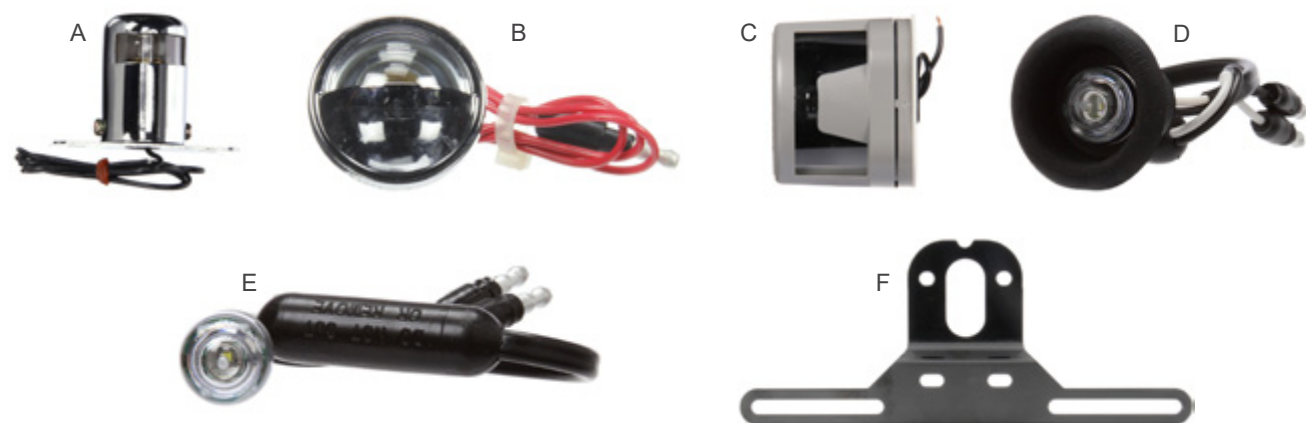


License

TruckLite P/N	Series	Color	Size	Connection	Mount Type	Type	Image
TRL26330	26 Series	Clear	--	Stripped End	2 Screw Bracket	Incandescent	A
TRL26331	26 Series	Clear	1"	.180 Bullet	Grommet	Incandescent	B
TRL26335	26 Series	Clear	--	Stripped End	Bracket Mount Kit	Incandescent	C
TRL33010C	33 Series	Clear	.75"	.180 Bullet	Grommet	LED	D
TRL33210C	33 Series	Clear	.75"	.180 Bullet	Grommet	LED	E
TRL42722	--	--	1"x2"	--	Bracket	--	F
TRL15040	--	--	--	--	Bracket	LED	--



Scan to see Truck-Lite License Lights.



Turn Signal Lights

TruckLite P/N	Series	Color	Size	Shape	Mount Type	Type	Lamp Connection	Diodes / Bulbs
TRL60215Y	22 Series	Yellow	2"x6"	Rectangular	2 Screw	Incandescent	PL-3	1
TRL60272Y	22 Series	Yellow	2"x6"	Rectangular	2 Screw	Incandescent	PL-3	1
TRL60275Y	Super 44	Yellow	4"	Round	Flange	LED	Fit 'N Forget S.S.	42
TRL60420Y	60 Series	Yellow	2"x6"	Oval	Grommet	Incandescent	PL-3	1
TRL60420Y	60 Series	Yellow	2"x6"	Oval	Flange	LED	Fit 'N Forget S.S.	26
TRL60420Y	60 Series	Yellow	2"x6"	Oval	Grommet	Incandescent	PL-3	1
TRL60420Y	60 Series	Yellow	2"x6"	Oval	Flange	LED	Fit 'N Forget S.S.	26
TRL60420Y	60 Series	Yellow	2"x6"	Oval	Grommet	LED	Fit 'N Forget S.S.	26
TRL60420Y	60 Series	Yellow	2"x6"	Oval	Flange	LED	Fit 'N Forget S.S.	6
TRL60420Y	60 Series	Yellow	2"x6"	Oval	Grommet	LED	Fit 'N Forget S.S.	6



Scan to see Truck-Lite Turn Signal Lights.

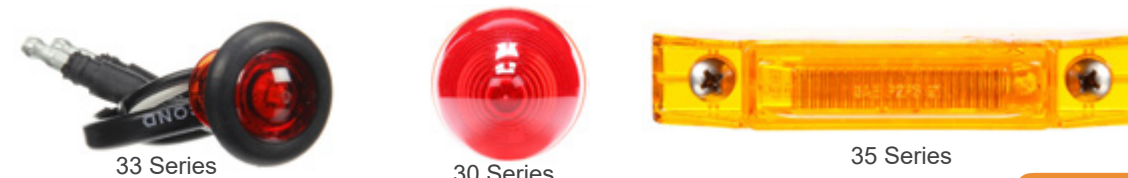


Marker/Clearance

TruckLite P/N	Series	Color	Size	Shape	Mount Type	Type	Lamp Connection	Diodes / Bulbs
TRL10202R	10 Series	Red	2.5"	Round	Grommet	Incandescent	PL-10	1
TRL10250R	10 Series	Red	2.5"	Round	Grommet	LED	Fit 'N Forget M/C	2
TRL1050	Signal-Stat	Red	2.5"	Round	Grommet	LED	PL-10	6
TRL1050A	Signal-Stat	Yellow	2.5"	Round	Grommet	LED	PL-10	6
TRL19200R	19 Series	Red	1"x4"	Rectangular	Bracket	Incandescent	19 Series Male Pin	2
TRL19200Y	19 Series	Yellow	1"x4"	Rectangular	Bracket	Incandescent	19 Series Male Pin	2
TRL30200R	30 Series	Red	2"	Round	Grommet	Incandescent	PL-10	1
TRL30200Y	30 Series	Yellow	2"	Round	Grommet	Incandescent	PL-10	1
TRL30276R	30 Series	Red	2"	Beehive	Grommet	LED	Fit 'N Forget M/C	2
TRL33050R	33 Series	Red	0.75"	Round	Grommet	LED	Hardwired	1
TRL33050Y	33 Series	Yellow	0.75"	Round	Grommet	LED	Hardwired	1
TRL35001Y	35 Series	Yellow	1"x4"	Rectangular	2 Screw	LED	Fit 'N Forget M/C	2
TRL35200R	35 Series	Red	1"x4"	Rectangular	2 Screw	LED	Fit 'N Forget M/C	1
TRL35200Y	35 Series	Yellow	1"x4"	Rectangular	2 Screw	LED	Fit 'N Forget M/C	2
TRL35375Y	35 Series	Yellow	1"x4"	Rectangular	2 Screw	LED	Fit 'N Forget M/C	5



Scan to see Truck-Lite Marker/Clearance Lights.

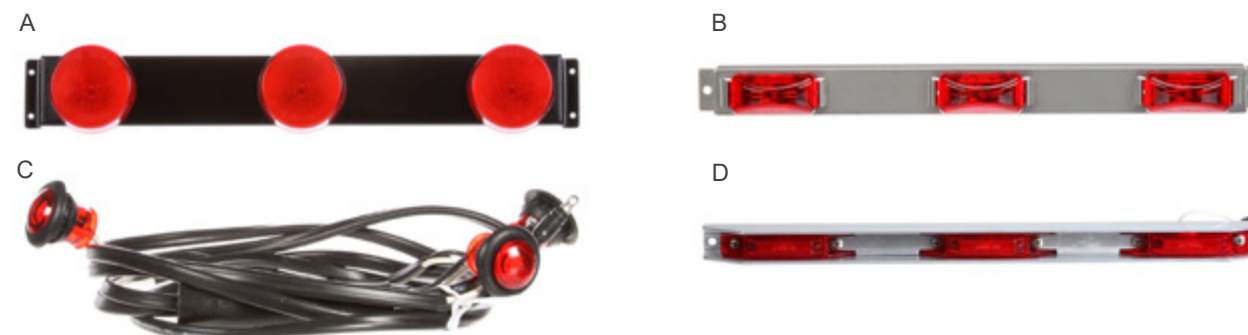


Light Bar

TruckLite P/N	Series	Color	Size	Shape	Mount Type	Type	Lamp Connection	Diodes / Bulbs	Image
TRL10744R	10 Series	Red	2.5"	Round	4 Screw	Incandescent	PL-10	1	A
TRL15050R	15 Series	Red	1"x2"	Rectangular	2 Screw	LED	PL-10	1	B
TRL15745R	15 Series	Red	1"x2"	Rectangular	2 Screw	Incandescent	PL-10	1	B
TRL33740R	33 Series	Red	.75"	Round	Grommet	LED	Hardwired	1	C
TRL35740R	35 Series	Red	1"x4"	Rectangular	2 Screw	LED	Fit 'N Forget M/C	1	D



Scan to see Truck-Lite Identification Bars.





Strobe & Warning

TruckLite P/N	Series	Color	Size	Shape	Mount Type	Type	Lamp Connection	Diodes / Bulbs
TRL44101Y	Super 44	Yellow	4"	Round	Grommet	LED	Fit 'N Forget S.S.	42
TRL44102Y	Super 44	Yellow	4"	Round	Grommet	LED	Fit 'N Forget S.S.	42
TRL44211Y	Super 44	Yellow	4"	Round	Grommet	LED	Fit 'N Forget S.S.	42
TRL44212Y	Super 44	Yellow	4"	Round	Grommet	LED	Fit 'N Forget S.S.	42
TRL44213Y	Super 44	Yellow	4"	Round	Flange	LED	Fit 'N Forget S.S.	42
TRL44214Y	Super 44	Yellow	4"	Round	Flange	LED	Fit 'N Forget S.S.	42
TRL44216Y	Super 44	Yellow	4"	Round	1 Stud	LED	Fit 'N Forget S.S.	42
TRL44218Y	Super 44	Yellow	4"	Round	Grommet	LED	Hardwired	6
TRL60120Y	Super 60	Yellow	2"x6"	Oval	Grommet	LED	Fit 'N Forget S.S.	36
TRL60122Y	Super 60	Yellow	2"x6"	Oval	Grommet	LED	Fit 'N Forget S.S.	36
TRL60360Y	Super 60	Yellow	2"x6"	Oval	Grommet	LED	Fit 'N Forget S.S.	36
TRL60367Y	60 Series	Yellow	2"x6"	Oval	Grommet	LED	Fit 'N Forget	8



A Worldwide Leader in Vehicle Lighting and Safety Systems, Grote is proud of the revolution in lighting performance we created in 1989. Since then, LED technology has proved to be more reliable, more durable, and less expensive, lasting 10 times longer and using less power than previous technology. From clearance markers, LED lamps have found uses all around the rigs – stop tail turns, head lamps, auxiliary, interior, and every place a lamp is used today. The future Looks Bright. As LED technology evolves, so does Grote's cutting-edge nanotechnology. With ultimate flexibility, consistent, highquality brightness and the strength to resist the most extreme conditions, LightForm™ is shedding a new light on LED transportation applications. LightForm™ conforms to almost any shape or contour without sacrificing quality or performance. And with LightForm™, there is no mounting or tooling required, so you also save time and money. In fact, the ultra-thin structure is the most flexible, lightweight, low-profile LED lighting product available today.

Stop/Tail/Turn

Grote P/N	Series	Color	Size	Shape	Connection	Mount Type	Type	Diodes / Bulbs
GRT52922	Economy	Red	4"	Round	Female Pin	Grommet	Incandescent	1
GRT53102	Torsion Mount®	Red	4"	Round	Male Pin	Grommet	Incandescent	1
GRT53252	SuperNova®	Red	4"	Round	Male Pin	Grommet	LED	10
GRT53292	SuperNova®	Red	4"	Round	Male Pin	Bracket	LED	10
GRT53302	SuperNova®	Red	4"	Round	Male Pin	Grommet	LED	10
GRT53552	SuperNova®	Red	4"	Round	Hard Shell	Grommet	LED	10
GRT53962	SuperNova®	Red	6"	Oval	Male Pin	Grommet	LED	10
GRT54332	NexGen™, SuperNova®	Red	4"	Round	Male Pin	Grommet	LED	3
GRT54342	Grote Select™	Red	4"	Round	Female Pin	Grommet	LED	3
GRT54342-3	Grote Select™	Red	4"	Round	Female Pin	Grommet	LED	3
GRT54492	NexGen™, SuperNova®	Red	4"	Round	Male Pin	Bracket	LED	3
GRTG4002	Hi Count®	Red	4"	Round	Female Pin	Bracket, Grommet	LED	24



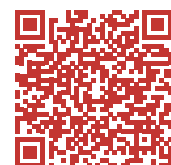
Economy

Torsion Mount®

SuperNova®

NexGen™, SuperNova®

Hi Count®



TRL44101Y



TRL44218Y



Back-Up

Grote P/N	Series	Color	Size	Shape	Connection	Mount Type	Type	Diodes / Bulbs
GRT62091	NexGen™, SuperNova®	Clear	4"	Round	Male Pin	Grommet	LED	10
GRT62171	Torsion Mount®	Frosted	4"	Round	Female Pin	Grommet	Incandescent	1
GRT62211	Economy	Clear	4"	Round	Male Pin	Bracket	Incandescent	1
GRT62271	Torsion Mount®	Clear	4"	Round	Female Pin	Grommet	Incandescent	1
GRT62691	Grote Select™	Clear	4"	Round	Female Pin	Grommet	LED	3



Economy



Torsion Mount®



NexGen™, SuperNova®



Grote Select™

Turn Signal Lights

Grote P/N	Series	Color	Size	Shape	Connection	Mount Type	Type	Diodes / Bulbs
GRT53963	SuperNova®	Amber	6"	Oval	Male Pin	Grommet	LED	21
GRT54163	NexGen™, SuperNova®	Amber	6"	Oval	Male Pin	Bracket, Grommet	LED	3
GRT54173	Grote Select™	Amber	6"	Oval	Female Pin	Grommet	LED	3
GRTG4003	Hi Count®	Amber	4"	Round	Female Pin	Bracket, Grommet	LED	24



Hi Count®



SuperNova®



Grote Select™

License

Grote P/N	Series	Color	Shape	Connection	Mount Type	Type	Diodes / Bulbs
GRT60001	Duramold	Clear	--	Blunt Cut	Snap Fit	Incandescent	1
GRT60331	Turtleback®	Clear	Rectangular	Male Pin	Screw	Incandescent	1
GRT60381	SuperNova®	Clear	--	Standard .180" Male Bullet	Bracket	LED	1
GRT60671	MicroNova®	Clear	Rectangular	Standard .180" Male Bullet	Grommet	LED	1
GRT60681	MicroNova®	Clear	Rectangular	Standard .180" Male Bullet	Bracket	LED	1
GRT60721	Economy	Clear	Round	Standard .180" Male Bullet	Grommet	LED	1



Duramold



Turtleback®



SuperNova®



MicroNova®



Economy



MicroNova® w/ Bracket

Marker/Clearance

Grote P/N	Series	Color	Size	Shape	Connection	Mount Type	Type
GRT47072	SuperNova®, Turtleback®	Red	2" X 6"	Rectangular	Male Pin	Bracket	LED
GRT47073	SuperNova®, Turtleback®	Amber	2" X 6"	Rectangular	Male Pin	Bracket	LED
GRT47163	SuperNova®, Turtleback®	Amber	2" X 6"	Rectangular	Male Pin	Screw	LED
GRT47242	SuperNova®	Red	2"	Rectangular	Faston Tab	Screw	LED
GRT47243	SuperNova®	Amber	3"	Rectangular	Faston Tab	Screw	LED
GRT47463	SuperNova®	Amber	3"	Rectangular	Faston Tab	Screw	LED
GRT47962	MicroNova®	Red	2" X 1"	Oval	Standard .180" Male Bullet	Grommet	LED
GRT47963	MicroNova®	Amber	2" X 1"	Oval	Standard .180" Male Bullet	Grommet	LED
GRT47972	MicroNova®	Red	2" X 1"	Oval	Standard .180" Male Bullet	Grommet	LED
GRT49333	MicroNova®	Amber	1"	Round	Standard .180" Male Bullet	Grommet	LED



SuperNova®, Turtleback®



SuperNova®



MicroNova®



Light Bar

Grote P/N	Series	Color	Size	Shape	Connection	Mount Type	Type
GRT49042	--	Red	14.5"	Rectangular	Blunt Cut	Screw	Incandescent
GRT49082	--	Red	14.5"	Rectangular	Blunt Cut	Screw	Incandescent
GRT49142	--	Red	14.5"	Rectangular	Blunt Cut, Ring Terminal	Screw	Incandescent
GRT49162	SuperNova®	Red	16"	Rectangular	Blunt Cut	Screw	LED



SuperNova®

Strobe & Warning

Grote P/N	Color	Size	Shape	Connection	Mount	Type
GRT77353	Amber	4"	Round	Male Pin	Bracket, Grommet	LED
GRT77362	Red	6"	Oval	Male Pin	Bracket, Grommet	LED
GRT77363	Amber	6"	Oval	Male Pin	Bracket, Grommet	LED
GRT77463	Clear	1" X 3.5"	Rectangular	Blunt Cut	Surface	LED
GRT77913	Amber	4.25" X 4.66"	Compact Dome	Battery	Magnetic	LED
GRT77933	Clear	1"	Round	Blunt Cut	Surface	LED
GRT78194	Amber	6", Low Profile	Oval	Blunt Cut	Grommet/Surface	LED



Established in 2007, UBLights is a premier supplier of heavy-duty transportation lighting and safety products. UBLights has spent the past decade improving the lighting options available to our customers, with hands-on approaches at every level of the process.

UBL is the leading brand in the intermodal market today. We have transitioned the majority of our products to LED, which promotes a longer life, uses less energy, and is more durable than incandescent alternatives.

This focus on LED-forward thinking is key to keeping UBLights at the forefront of transportation lighting technology.

UBLights offers a comprehensive collection of products - trailer and chassis lighting, work light, portable lights, safety lighting options, mirrors, mounting and wiring solutions, and everything your chassis or trailer could need to be in lighting compliance.

Stop/Tail/Turn/Back-Up

UBL P/N	Color	Size	Shape	Mount Type	Type	Diodes
LED2238-10A	Amber	2" X 6"	Oval	Grommet	LED	10
LED2238-10C	Clear	2" X 6"	Oval	Grommet	LED	10
LED2238-10R	Red	2" X 6"	Oval	Grommet	LED	10
LED2238-24A	Amber	2" X 6"	Oval	Grommet	LED	24
LED2238-24C	Clear	2" X 6"	Oval	Grommet	LED	24
LED2238-24R	Red	2" X 6"	Oval	Grommet	LED	24
LED2238-7R	Red	2" X 6"	Oval	Grommet	LED	7
LED4000-10R	Red	4"	Round	Grommet	LED	10
LED4000-24C	Clear	4"	Round	Grommet	LED	24
LED4000-24R	Red	4"	Round	Grommet	LED	24
LED4000-1R2	Red	4"	Round	Flange	LED	1

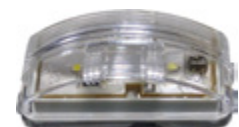


Scan to see UBLights Stop/Tail/Turn/Back-up Lights.



License

UBL P/N	Color	Size	Shape	Mount Type	Type	Diodes
LLP1225-2C	Clear	1" X 2"	Rectangular	Grommet	LED	2
LLP1225C-2	Clear / Chrome	1" X 2"	Rectangular	Screw	LED	2
LLP3000-2C	Clear	1"	Round	Screw	LED	2



Scan to see UBLights License Lights.

Marker/Clearance

UBL P/N	Color	Size	Shape	Mount Type	Type	Diodes
LR2238-9A	Amber	--	Rectangular	Grommet	LED	9
SE1040A	Amber	1" X 4'	Rectangular	Grommet	Incandescent	1
SE1040R	Red	1" X 4'	Rectangular	Grommet	Incandescent	1
SE2000R	Red	2"	Round	Grommet	Incandescent	1



Scan to see UBLights Marker/Clearance Lights.

Marker/Clearance

UBL P/N	Color	Size	Shape	Mount Type	Type	Diodes
LED0700A-BLT	Yellow	0.75"	Round	Grommet	LED	1
LED0700R-BLT	Red	0.75"	Round	Grommet	LED	1
LED2000-10A	Amber	2"	Round	Grommet	LED	10
LED2000-10R	Amber	2"	Round	Grommet	LED	10
LED2000-4A	Amber	2"	Round	Grommet	LED	4
LED2500-13A	Amber	2.5"	Round	Grommet	LED	13
LED2500-13R	Red	2.5"	Round	Grommet	LED	13
LED2500-4R	Red	2.5"	Round	Grommet	LED	4



Light Bars

UBL P/N	Color	Size	Shape	Mount Type	Type	Diodes
LBL2000R	Red	16" (2" Light)	Rectangular	Screw	LED	(3) 4 Diode
LBL2500R	Red	16" (2.5" Light)	Rectangular	Screw	LED	(3) 4 Diode
LB2000R	Red	16" (2" Light)	Rectangular	Screw	Incandescent	3
LB2500R	Red	16" (2.5" Light)	Rectangular	Screw	Incandescent	3





UBL P/N	Color	Size	Shape	Mount Type	Type	Diodes
LEDM4065-18A	Amber	4" X 6.5"	Rectangular	Magnetic	LED	18
LEDM4065-18R	Red	4" X 6.5"	Rectangular	Magnetic	LED	18
LEDW1030-3CA	Amber	1" X 3"	Rectangular	Screw	LED	3
LEDW1030-3CB	Blue	1" X 3"	Rectangular	Screw	LED	3
LEDW1030-3CR	Red	1" X 3"	Rectangular	Screw	LED	3
LEDW1030-3CW	White	1" X 3"	Rectangular	Screw	LED	3
LEDW1035-4CA	Amber	1" X 3.5"	Rectangular	Screw	LED	4
LEDW1035-4CR	Red	1" X 3.5"	Rectangular	Screw	LED	4
LEDW1035-4CW	White	1" X 3.5"	Rectangular	Screw	LED	4
LEDW2238-24A	Amber	2" X 6"	Oval	Grommet	LED	24
LEDW2238-24R	Red	2" X 6"	Oval	Grommet	LED	24



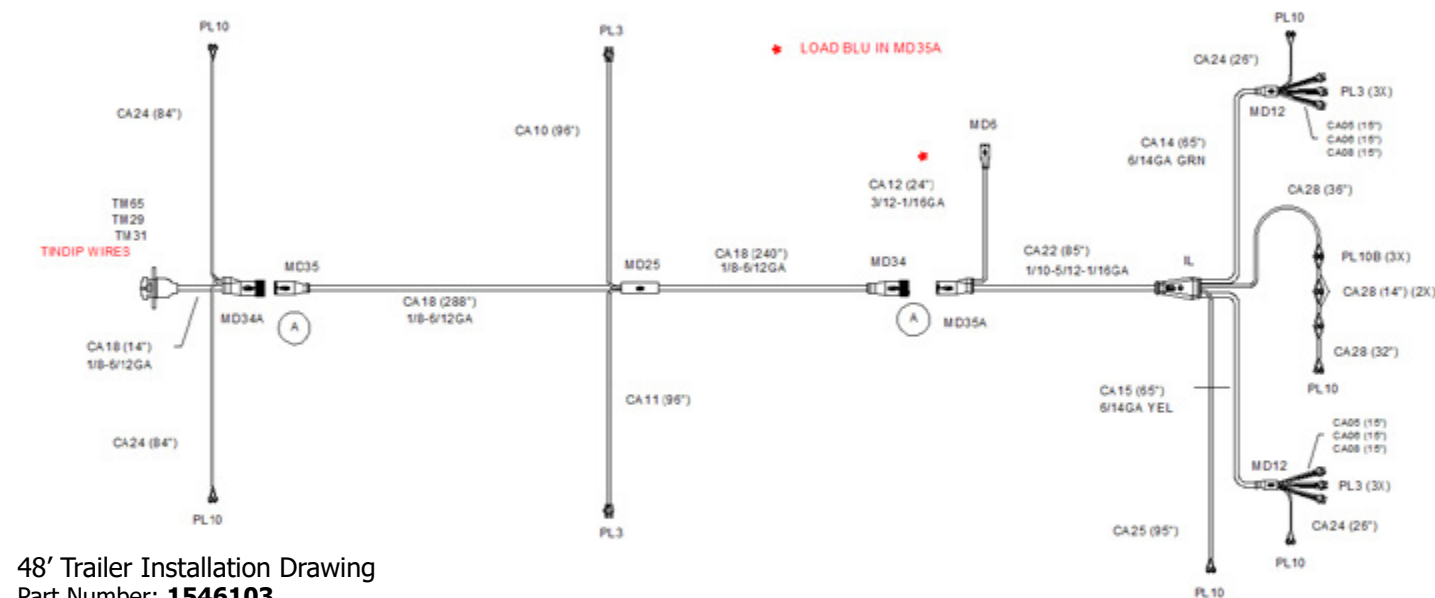
Scan to see UBLights Warning/Emergency Lights.



We offer a wide range of harnesses from various manufacturers. If you are looking for retro-fits or full harnesses we are able to provide a solution to fit your needs. Please contact your sales representative and they will be able to determine the harness that will work in your application. Having a trailer VIN will help when contacting us about replacement harnesses or components.



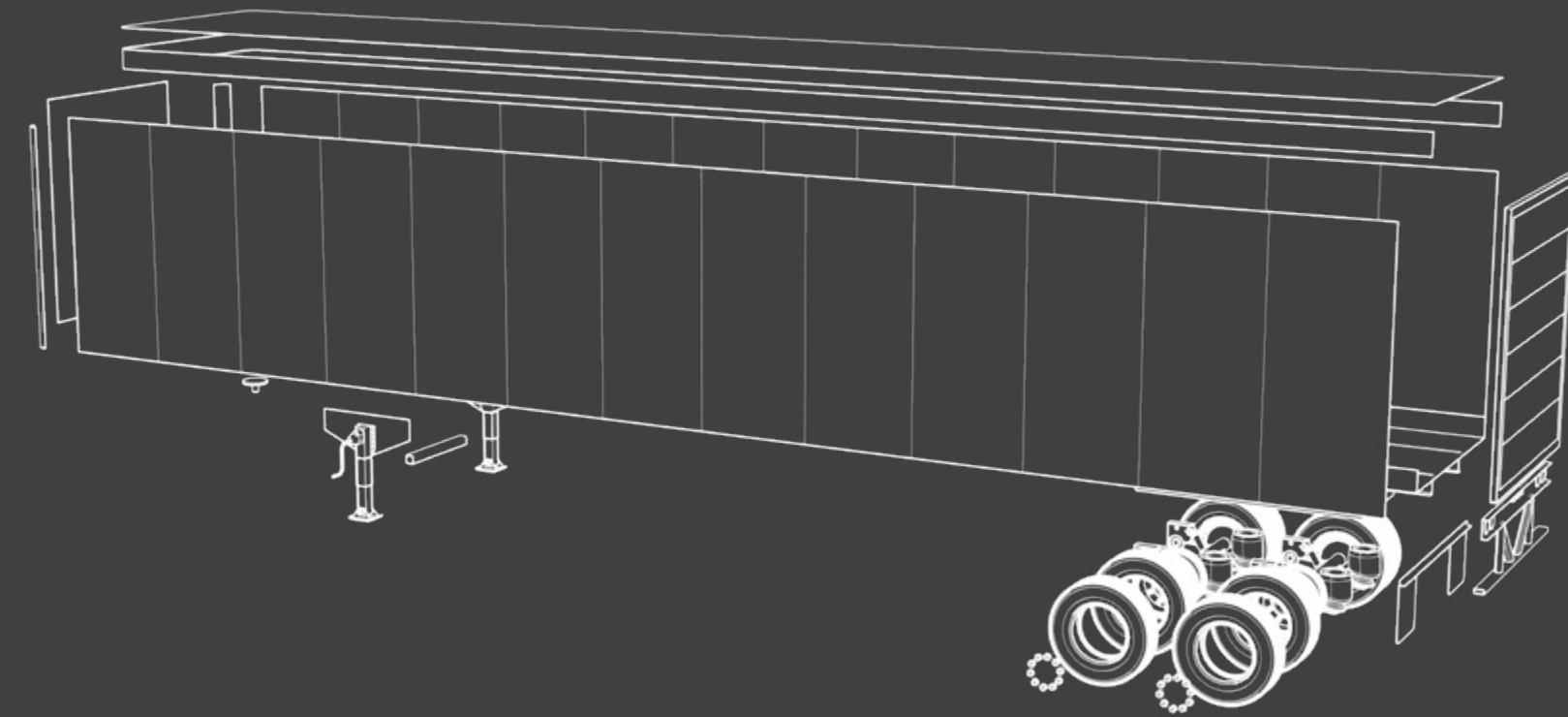
Sealco® Universal Trailer Harness. This harness is designed for a standard 48' Dry Van Trailer.



48' Trailer Installation Drawing
Part Number: **1546103**



NEWLIFE
HEAVY DUTY TRAILER PARTS



Engine Components



Batteries

Part No.	Description	C.C.A.	Connection	Warranty
31AGM	Battery	825	Stud	18-MTH
31P-950	Battery	950	Post	24-MTH
31S-750	Battery	750	Stud	24-MTH
31S-950	Battery	950	Stud	24-MTH
MWB31DC-800	Battery	700	Dual	24-MTH
MWB65-84	Battery	850	Post	24-MTH
MWB78DT-84	Battery	750	Dual	24-MTH



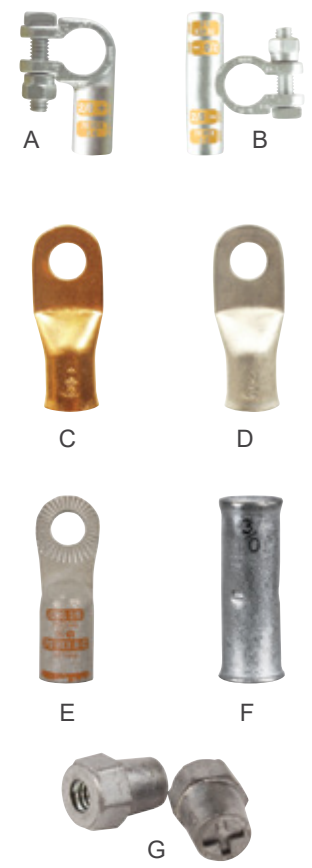
Battery Cable

Part No.	Description	Color	Guage	Length
GRT82-5702	Battery Cable	Black	2/0	25'
GRT82-6717	Battery Cable	Red	6	25'
GRT82-6718	Battery Cable	Red	4	25'
GRT82-5722	Battery Cable	Black	2	25'
GRT82-6721	Battery Cable	Red	2/0	25'
GRT82-6723	Battery Cable	Red	3/0	25'



Lugs/Terminals

Part No.	Description	Guage	Terminal	Ring	Image
PHP8-1260	Battery Terminal - Crimp, Left Elbow	2/0	Positive	--	A
PHP8-1261	Battery Terminal - Crimp, Left Elbow	2/0	Negative	--	A
PHP8-1360	Battery Terminal - Crimp, Right Elbow	2/0	Positive	--	A
PHP8-1361	Battery Terminal - Crimp, Right Elbow	2/0	Negative	--	A
PHP8-1460	Battery Terminal - Crimp, Flag	2/0	Positive	--	B
PHP8-1461	Battery Terminal - Crimp, Flag	2/0	Negative	--	B
PHP8-2121	Battery Terminal - Standard Lug, Straight	4	--	1/4"	C
PHP8-2122	Battery Terminal - Standard Lug, Straight	4	--	5/16"	C
PHP8-2133	Battery Terminal - Standard Lug, Straight	2	--	3/8"	C
PHP8-2153	Battery Terminal - Standard Lug, Straight	1/0	--	3/8"	C
PHP8-2163	Battery Terminal - Standard Lug, Straight	2/0	--	3/8"	C
PHP8-2165	Battery Terminal - Standard Lug, Straight	2/0	--	1/2"	C
PHP8-2173	Battery Terminal - Standard Lug, Straight	3/0	--	3/8"	C
PHP8-2183	Battery Terminal - Standard Lug, Straight	4/0	--	3/8"	C
PHP8-2185	Battery Terminal - Standard Lug, Straight	4/0	--	1/2"	C
PHP8-2223	Battery Terminal - Standard Lug, Plated	4	--	3/8"	D
PHP8-2243	Battery Terminal - Standard Lug, Plated	1	--	3/8"	D
PHP8-2283	Battery Terminal - Standard Lug, Plated	4/0	--	3/8"	D
PHP8-2763	Battery Terminal - Locking Lug	2/0	--	3/8"	E
PHP8-2980	Battery Terminal - Copper Butt Splice	4/0	--		F
PHP8-6421	Battery Terminal - Conversion, Stud-to-Post				G



Belts



Part Number	Description	Type	Material	Ribs	Width	Length
CE17435	Accessory Drive Belt	V-Belt	EPDM	1	17/32"	43-5/8"
CE17446	Accessory Drive Belt	V-Belt	EPDM	1	17/32"	44-3/4"
CE17470	Accessory Drive Belt	V-Belt	EPDM	1	17/32"	47"
CE17511	Accessory Drive Belt	V-Belt	EPDM	1	17/32"	51-1/8"
CE17591	Accessory Drive Belt	V-Belt	EPDM	1	17/32"	59-1/8"
CE22550	Accessory Drive Belt	V-Belt	EPDM	1	22/32"	55"
CE4060635	Serpentine Multi-V Belt	Multi-V	EPDM	6	27/32"	63-1/2"
CE4060638	Serpentine Multi-V Belt	Multi-V	EPDM	6	27/32"	63-3/4"
CE4060640	Serpentine Multi-V Belt	Multi-V	EPDM	6	27/32"	64"
CE4080560	Serpentine Multi-V Belt	Multi-V	EPDM	8	35/32"	56"
CE4080625	Serpentine Multi-V Belt	Multi-V	EPDM	8	35/32"	62-1/2"
CE4080630	Serpentine Multi-V Belt	Multi-V	EPDM	8	35/32"	63"
CE4080797	Serpentine Multi-V Belt	Multi-V	EPDM	8	35/32"	79-3/4"
CE4080830	Serpentine Multi-V Belt	Multi-V	EPDM	8	35/32"	83"
CE4080855	Serpentine Multi-V Belt	Multi-V	EPDM	8	35/32"	85-1/2"
CE4081005	Serpentine Multi-V Belt	Multi-V	EPDM	8	35/32"	100-1/2"
CE4081024	Serpentine Multi-V Belt	Multi-V	EPDM	8	35/32"	102-3/8"
CE4081055X	HD Serpentine Multi-V Belt	Multi-V	EPDM	8	35/32"	105-1/2"
CE4081060X	HD Serpentine Multi-V Belt	Multi-V	EPDM	8	35/32"	106"
CE4100605	Serpentine Multi-V Belt	Multi-V	EPDM	10	45/32"	60-1/2"

Belt Finder



Continental V Belts

Continental V-Belts provide higher heat and abrasion resistance in even the toughest under-hood conditions. The result is greater wear resistance for an exceptional belt life. A polyester tensile member improves dimensional stability, controlling elongation and limiting belt slip.

Continental Multi-V Belts

Continental takes performance to the next level with its OE Technology Series Multi V-Belts, which run quieter and last longer. The belt's advanced EPDM rubber compounds virtually eliminate the chirps, squeaks and squeals typically associated with pulley misalignment. Advancements in design and materials give you the highest performance, low maintenance and proven results with no exceptions.

Engine Components | Batteries & Components

Engine Components | Belts



Band Clamp

Walker	Breeze	Description	Type	Size	Material	Width	Image
33272W	--	Band Clamp	Lap Joint Band	3.0"	S.S.	3.0"	A
33273W	--	Band Clamp	Lap Joint Band	3.5"	S.S.	3.0"	A
35795W	--	Band Clamp	U Bolt	6.0"	Steel	7.5"	B
35933W	--	Band Clamp	Muffler Shield	10.0"	Steel	--	C
35938W	--	Band Clamp	Exhaust Clamp	5.0"	S.S.	3.5"	D
35978W	E30ST	Band Clamp	Exhaust Clamp	3.0"	S.S.	3.0"	E
35975W	E50ST	Band Clamp	Exhaust Clamp	5.0"	S.S.	3.0"	E
35980W	E60ST	Band Clamp	Exhaust Clamp	6.0"	S.S.	3.0"	E
33222W	L30SA	Band Clamp	Lap Joint Band	3.0"	S.S.	3.0"	A
33968W	L35AA	Band Clamp	Lap Joint Band	3.5"	Steel	3.0"	A
33223W	L35SA	Band Clamp	Lap Joint Band	3.5"	S.S.	3.0"	A
33969W	L40AA	Band Clamp	Lap Joint Band	4.0"	Steel	3.0"	A
33274W	L40SA	Band Clamp	Lap Joint Band	4.0"	S.S.	3.0"	A
33288W	L50AA	Band Clamp	Lap Joint Band	5.0"	Steel	3.0"	A
33276W	L50SA	Band Clamp	Lap Joint Band	5.0"	S.S.	3.0"	A



V-Band Clamp

Walker	Breeze	Description	Type	Size	Material	Width
35500W	--	T-Bolt V-Band	V Band	5.0"	S.S.	0.875"
--	VT10388	T-Bolt V-Band	V Band	3.88"	S.S.	0.875"
--	VT10475	T-Bolt V-Band	V Band	4.75"	S.S.	0.875"
--	VT10588	T-Bolt V-Band	V Band	5.88"	S.S.	0.875"



Alternators

Delco Remy	Prestolite	Description	Model	Mount	Output	Image
8600066	--	Alternator	35SI	Pad	140A	
8600127	A36P170	Alternator	36SI	Pad	170A	
8600201	A24P1604P	Alternator	28SI	Pad	160A	
8600310	A24J160 / AVI555J	Alternator	24SI	Hinge	160A	
8600314	A28P200	Alternator	28SI	Pad	200A	
8600315	--	Alternator	28SI	Pad	160A	
8600889	A24P160 / AVI555P	Altnerator	24SI	Pad	160A	
8700018	A35P140	Alternator	35SI	Pad	140A	
19020310	110-555JHO	Alternator	22SI	J180 Hinge	150A	
19020889	110-555PHO	Alternator	22SI	Pad	150A	

Starters

Delco Remy	Prestolite	Description	Model	Teeth	Pinion Pitch	Mount	Rotation
8200235	--	Starter	38MT	10	8/10	SAE 1	CW
8200308	M39308	Starter	39MT	11	6/8	SAE 3	CW
8200433	M39433	Starter	39MT	12	8/10	SAE 3	CW
8200434	M39434	Starter	39MT	12	MOD 3.00	SAE 3	CW
8200468	--	Starter	39MT	11	8/10	SAE 1	CW
8201100	M110602	Starter	39MT	12	8/10	SAE 3	CW
8300084	--	Starter	39MT	12	MOD 3.00	SAE 3	CW
10461052	M421052	Starter	42MT	11	6/8	SAE 3	CW
10461053	--	Starter	42MT	11	6/8	SAE 3	CW
10465043	--	Starter	28MT	10	10/12	SAE 1	CW
61008898	M110613	Starter	39MT	11	8/10	SEA 3	CW





Flex Tubing

Walker	Description	Material	Diameter	Length
1410050	Flex Tubing	Galv	5"	25'
1410150	Flex Tubing	S.S.	5"	25'



1410050



Mufflers

Walker	Description	Type	Pipe	Finish	Size	Length	Image
22920W	Muffler	Round	5"X5"	Aluminized	10"X10"	44"	
22963W	Mega Flow	Round	5"X5"	Aluminized	10"X10"	44"	
22551W	Muffler	Oval	3.5"X4"	Aluminized	8.25"X11.5"	30"	
22936W	Muffler	Round	4"X4"	Aluminized	9"X9"	44"	
22771W	Muffler	Round	5"X5"	Aluminized	9"X9"	19"	
21838W	Muffler	Round	4"X4"	Aluminized	8.375"X8.375"	33.5"	
22572W	Muffler	Round	4"X4"	Aluminized	9"X9"	20"	
22962W	Muffler	Round	4"X5"	Aluminized	10"X10"	44"	
22916W	Muffler	Round	4"X4"	Aluminized	10"X10"	45"	
22980W	Mega Flow Noisebreaker	Round	5"X5"	Aluminized	10"X10"	44"	
22664W	Muffler	Round	4"X4"	Aluminized	11.125"X11.125"	36"	
22940W	Muffler	Round	5"X5"	Aluminized	9"X9"	44"	

Muffler Hangers

Walker	Description	Type	Muffler Body Diameter
35983W	Muffler Hanger	Universal	10"
35972W	Muffler Hanger	Universal	9"
35733W	Muffler Hanger	Universal	8.25"X11.5"
35899W	Muffler Hanger	Universal	5"



35983W

Lube

Part No.	Description	Application	Image
BALB495	Full-Flow Lube Spin-on	Detroit Diesel Engines, Replaces: Detroit Diesel 23518480	
BALB76	Full-Flow Lube Spin-on	Akerman, Caterpillar, Mack, V.M.E., Volvo, R.V.I. Engines, Equipment, Replaces: Caterpillar 1R0739; Mack 485GB3191	
BALB99	Full-Flow Lube Spin-on	Atlas Copco, Demag, Caterpillar Equipment, Replaces: Caterpillar 1R0716	
BALBD50000	High Efficiency Lube Spin-on	Cummins QST30 Engine; Cummins ISX15 Engines, Replaces: Cummins 4367100; Fleetguard LF14000NN	
BALBD7154	High Velocity Dual-Flow Lube Spin-on	Cummins Engines, Replaces: Cummins 3406809; Fleetguard LF9001	
BALB7177	Lube Spin-on	Equipment, Motor Homes and Trucks with Cummins ISB 5.9L, QSB 5.9L Engines, Replaces: Cummins 3937144	
BALB7685	By-Pass Lube Spin-on	R.V.I., Volvo Buses, Engines, Equipment, Trucks, Replaces: V.M.E. 119962280; Volvo 477556, 477556-5	
BALB7409	By-Pass Lube Spin-on	Mack MP7, MP8, MP10 Engines, Trucks, Replaces: Mack 20843764; Volvo 20843764	



Fuel

Part No.	Description	Application	Image
BALBF1259	Fuel/Water Separator Spin-on with Drain, CAUTION: Furnished D-Ring must be installed on post for seal. Can be used with FB1311 base.	Caterpillar, Cummins Engines; Euclid Rear Dumps; Kenworth, Volvo Trucks; Versatile Tractors, Replaces: Cummins 3329289; Fleetguard FS1000	
BALBF46117	Fuel Spin-on	Mack, Volvo Trucks, Replaces: Mack 23856886; Racor RS250RCR01; Volvo 22094967, 22474709, 23846895	
BALBF46129	Fuel Spin-on, Fill Plug pre-installed in filter. Remove after pre-filling filter with fuel prior to installation on application.	Freightliner; Kenworth; Peterbilt; Volvo Trucks with Cummins ISX11.9, ISX15.0, QSX11.9, X15 Engines, Replaces: Cummins 5365988; Fleetguard FF5825NN	
BALBF63000	Fuel Spin-on	Autocar, Dennis Eagle, Ford, Freightliner, International, Kenworth, Mack, Peterbilt, Western Star Trucks; Blue Bird Buses; Hyundai Excavators, Loaders; Skyjack Boom Lifts; Macdon Harvesters; Vogeles Paving Equipment (All with Cummins, Paccar Engines), Replaces: Cummins 5303743, 5660774; Fleetguard FF63009, FF63054NN	
BALBF7587	High Efficiency Fuel Spin-on, Can be used with FB46185 base.	Caterpillar Engines, Equipment; Ford, Freightliner, International, Kenworth, Peterbilt, Sterling, Western Star Trucks, Replaces: Caterpillar 1R0749	
BALBF9885	Fuel Spin-on, Fill Plug pre-installed in filter.;Remove after pre-filling filter with fuel prior to installation on application.;CAUTION: Not to be used on X15 Engines.	Kenworth, Peterbilt Trucks with Cummins ISX11.9, QSX11.9 Engines, Replaces: Cummins 2864993, 2893612; Fleetguard FF5776	
BALPF9804	Fuel/Water Separator Element	Freightliner Cascadia, Columbia, Business Class M2 all with Detroit Diesel DD13, DD15 Engines, Replaces: Alliance ABP/N10G-FS19915; Detroit Diesel FS19915WE, A0000903651, A4720921205	
BALPF9908KIT	Fuel Filter Kit	Freightliner, Western Star Trucks with Detroit Diesel DD13, DD15, DDD16 Engines Replaces: Detroit Diesel A4720900451, A4720900551	
BALPF7680	Fuel/Water Separator Element	Caterpillar, Cummins, Detroit Diesel, Mack Engines with Davco Housing, Replaces: Davco 380087; Detroit Diesel 23514049; Mack 301SD19A, 301SD19B	
BALPF9814	Fuel/Water Separator Element	Freightliner, IHC, Kenworth, Peterbilt Trucks, Replaces: Fleetguard FS19764; Davco 102527	
BALPF7744	Fuel/Water Separator Element	Freightliner, International, Kenworth, Peterbilt, Sterling, Volvo Trucks, Replaces: Caterpillar 4176217; Detroit Diesel 23521528; General Motors 23521528	
BALPF7930	Fuel/Water Separator Element	Davco FH230 Series Fuel Pro, FH234 Series Industrial Pro, Replaces: Davco 102528; Paccar 382951PAC25; Volvo 21737499, 85120233; Fleetguard FS19765	
BALBF5810	Secondary Fuel Spin-on, Can be used with FB1302 base.	Detroit Diesel Engines, Replaces: Detroit Diesel 23518482	
BALPF7748	Fuel/Water Separator Element	Davco Fuel Pro, Replaces: Detroit Diesel 23529168; Davco 382114	
BALBF7814	Fuel Spin-on	Mack Engines, Trucks; R.V.I. Trucks; Volvo Buses, Engines, Trucks, Replaces: Volvo 20430751	

Air

Part No.	Description	Application	Image
BALPA32000	EnduraCube Air Element	Kenworth Trucks T680, T800, T880, Peterbilt Trucks 567, 579, Replaces: Paccar P621725	
BALRS3518	Radial Seal Outer Air Element	Ford, Freightliner, International, Sterling, WhiteGMC Trucks, Replaces: Ford F1HZ-9601-B; GMC 25177196; International 3520400-C1; White 22-0013212	
BALPA30093	Cab Air Element	Kenworth T680, Peterbilt 579 Trucks, Replaces: Peterbilt X1987001	
BALPA5359	Cab Air Element	Freightliner Trucks; Thomas Buses, Replaces: Alliance ABP/N10G-36000006; Freightliner 36000006, VCC36000006	
BALPA4857	Cab Air Element	Freightliner Trucks, Replaces: Freightliner 91559, BOA91559	

Baldwin Filters, a brand of Parker Engine Mobile Aftermarket Division (EMAM), is a global provider of filtration products and services. Their mission is to protect customers' engines and mobile equipment, from first to last use, through innovative filtration solutions and outstanding customer service. Baldwin offers superb product quality, an extensive distribution network and the industry's broadest product line. This comprehensive portfolio of filtration products and technologies offers customers a single streamlined source for all their engine and mobile filtration needs.

Contact your Sales Representative for more information on our Full Line of Baldwin Filters. This is just a small sampling of the filters available to purchase.



Filter Finder





Fuel

Part No.	Description	Size	Length	Color
CE65125	Fuel Line / PCV / Emission Control Hose SAE J30R7	3/16"	25'	Black
CE65126	Fuel Line / PCV / Emission Control Hose SAE J30R7	1/4"	25'	Black
CE65127	Fuel Line / PCV / Emission Control Hose SAE J30R7	5/16"	25'	Black
CE65128	Fuel Line / PCV / Emission Control Hose SAE J30R7	3/8"	25'	Black



CE65126

Heater



Part Number	Description	Material	Size	Length	Color	Temp Range
CE65028	Blue Xtreme Heater Hose	EPDM	3/8"	50'	Blue	-40°F to 300°F
CE65029	Blue Xtreme Heater Hose	EPDM	1/2"	50'	Blue	-40°F to 300°F
CE65031	Blue Xtreme Heater Hose	EPDM	5/8"	50'	Blue	-40°F to 300°F
CE65004	HY-T® Black Heater Hose	EPDM	5/8"	50'	Black	-40°F to 257°F
CE65033	Blue Xtreme Heater Hose	EPDM	3/4"	50'	Blue	-40°F to 300°F
CE65026	HY-T® Red Heater Hose	EPDM	3/4"	50'	Red	-40°F to 257°F
CE65035	Blue Xtreme Heater Hose	EPDM	1"	50'	Blue	-40°F to 300°F
CE65012	HY-T® Black Heater Hose	EPDM	1"	50'	Black	-40°F to 257°F
5526-038X50	Silicone Heater Hose	Silicone	3/8"	50'	Blue	-65°F to 350°F
5526-050X50	Silicone Heater Hose	Silicone	1/2"	50'	Blue	-65°F to 350°F
5526-062X50	Silicone Heater Hose	Silicone	5/8"	50'	Blue	-65°F to 350°F
5526-075X50	Silicone Heater Hose	Silicone	3/4"	50'	Blue	-65°F to 350°F
5526-100X50	Silicone Heater Hose	Silicone	1"	50'	Blue	-65°F to 350°F



CE65028



CE65004



CE65026



5526-038X50

Radiator/Coolant

Part Number	Description	Material	Size	Length	Color	Temp Range
5515-100	3-Ply Coolant Hose	Silicone	1"	3'	Blue	-65°F to 350°F
5515-175	3-Ply Coolant Hose	Silicone	1.75"	3'	Blue	-65°F to 350°F
5515-200	3-Ply Coolant Hose	Silicone	2"	3'	Blue	-65°F to 350°F
5515-225	3-Ply Coolant Hose	Silicone	2.25"	3'	Blue	-65°F to 350°F
5515-250	3-Ply Coolant Hose	Silicone	2.5"	3'	Blue	-65°F to 350°F
5515-300	3-Ply Coolant Hose	Silicone	3"	3'	Blue	-65°F to 350°F



5515-300

Coolant Elbows

Part Number	Description	Material	Size	Leg Length	Color	Configuration	Temp Range
7884-100	Silicone Elbow	Silicone	1"	6"	Blue	90°	-65°F to 500°F
7884-125	Silicone Elbow	Silicone	1.25"	6"	Blue	90°	-65°F to 500°F
7884-175	Silicone Elbow	Silicone	1.75"	6"	Blue	90°	-65°F to 500°F
7884-200	Silicone Elbow	Silicone	2"	6"	Blue	90°	-65°F to 500°F
7884-250	Silicone Elbow	Silicone	2.5"	6.5"	Blue	90°	-65°F to 500°F
7884-300	Silicone Elbow	Silicone	3"	7.5"	Blue	90°	-65°F to 500°F
7896-100	Silicone Elbow	Silicone	1"	6"	Blue	45°	-65°F to 500°F
7896-225	Silicone Elbow	Silicone	2.25"	6.5"	Blue	45°	-65°F to 500°F
7896-250	Silicone Elbow	Silicone	2.5"	6.5"	Blue	45°	-65°F to 500°F
7896-300	Silicone Elbow	Silicone	3"	7.5"	Blue	45°	-65°F to 500°F



7884-300



7896-300



Engineering trust. Around the world.™



Tensioners



Part Number	Description	Application	Image
CE49147	Accessory Drive Belt Idler Pulley	FREIGHTLINER-114SD, 122SD, 122SD, CASCADIA, CASCADIA; CORONADO, CORONADO; (20-16); INTERNATIONAL-5500I, 5600I, 5900I, 9200I SBA, 9400I SBA, 9900I, 9900IX, HX520, LONESTAR, LT625, PROSTAR (22-04); INTERNATIONAL/NAVISTAR-5500I, 5600I, 5900I, 9200, 9200I, 9400, 9400I, 9900, 9900I, 9900IX; LONESTAR, PAYSTAR 5500I, PAYSTAR 5600I, PAYSTAR 5900I; PROSTAR, WORKSTAR 7300, WORKSTAR 7400; (15-03); KENWORTH-T2000, T2000, T600A, T600A, T660, T660, T680, T680, T700, T700, T800, T800, T880, T880, W900, W900, W990 (23-04); MACK-CL, CL, CXU, CXU; (15-04); PETERBILT-320, 320, 357, 357, 365, 365, 367, 367, 378, 378, 379, 379, 384, 384, 386, 386, 387, 387, 388, 388, 389, 389, 520, 567, 567, 579, 579, 587, 587; (23-12); VOLVO-VN SERIES, VNL, VNL SERIES, VNM, VNM, VT, VT; (18-03); WESTERN STAR-4900 SERIES, 4900EX, 4900FA, 4900SA, 6900XD (18-13)	
CE49514	Accessory Drive Belt Tensioner Assembly	FREIGHTLINER-ARGOSY, ARGOSY; CASCADIA, CASCADIA; CENTURY CLASS, CENTURY CLASS; CLASSIC, CLASSIC XL, CLASSIC XL; CLASSIC, COLUMBIA, COLUMBIA; CORONADO, CORONADO, FLA; FLD, FLD112, FLD120, FLD120SD, FLD132, M2, M2 106, M2 112, M2 BUSINESS CLASS (inc. Sport Chassis); ST120 (Century Class); (12-99); HOLIDAY RAMBLER-NAVIGATOR; (07-05); KENWORTH-T2000, T2000, T800, T800, W900, W900; (01-00); MONACO-EXECUTIVE; SIGNATURE;(2005); PETERBILT-350, 370, 378, 378, 379, 379; (02-01); STERLING-A-LINE (9500); L-LINE (7500, 8500, 9500); SILVER STAR; (10-01); STERLING TRUCK-A9500, AT9500, L9500, LT9500, LT9500 (10-01); WESTERN STAR-4900, 4900 SERIES, 4900E, 4900EX, 4900FA, 4900SA, 5800, 5900, 5900, 6900XD (18-00)	
CE49520	Accessory Drive Belt Tensioner Assembly	FREIGHTLINER-ARGOSY, ARGOSY; CASCADIA, CASCADIA; CENTURY CLASS, CENTURY CLASS; CLASSIC XL, CLASSIC XL; CLASSIC, COLUMBIA, COLUMBIA; CORONADO, CORONADO; FLD; FLD120, FLD120SD, FLD132, ST120 (Century Class); (11-00); STERLING-A-LINE (9500); CONDOR; L-LINE (7500, 8500, 9500); (09-04); STERLING TRUCK-A9500, AT9500, L9500, LT9500 (09-04); WESTERN STAR-4900 SERIES; 4900EX, 4900FA, 4900SA, 6900XD (18-03)	
CE49545	Accessory Drive Belt Tensioner Assembly	ARGOSY; CASCADIA, CASCADIA; CENTURY CLASS, CENTURY CLASS; CLASSIC XL; COLUMBIA, COLUMBIA; CORONADO, CORONADO; FLD; (18-16); INTERNATIONAL-5600I, 9400I SBA, 9900I, 9900IX (09-04); INTERNATIONAL/NAVISTAR-5000, 5600I, 5900I, 7700, 9400I, 9900, 9900I, 9900IX; PAYSTAR 5500I, PAYSTAR 5600I, PAYSTAR 5900I; TRANSTAR 8500; (10-04); KENWORTH-C500, T2000, T600A, T660, T660, T680, T680, T800, T800, T880, T880, W900, W900; (23-05); MACK-CXU, CXU; (17-14); MONACO-DYNASTY; SIGNATURE;(2008); PETERBILT-320, 320, 357, 365, 365, 367, 367, 378, 378, 379, 379, 384, 384, 386, 386, 387, 387, 388, 388, 520, 567, 567; (20-09); PIERCE MFG. INC.-VELOCITY(2009); SETRA-S415, S417;(2004); VOLVO-VN SERIES, VNL, VNL SERIES;(2017); WESTERN STAR-4900, 4900 SERIES, 4900E, 4900EX, 4900FA, 4900SA (07-02)	
CE49563	Accessory Drive Belt Tensioner Assembly	FREIGHTLINER-122SD, CASCADIA, CASCADIA; CORONADO, CORONADO; (18-15); INTERNATIONAL-5500I, 5600I, 5900I, 9200I SBA, 9400I SBA, 9900I, 9900IX, HX520, LONESTAR, LT625, PROSTAR (22-04); INTERNATIONAL/NAVISTAR-5500I, 5600I, 5900I, 9200, 9200I, 9400, 9400I, 9900, 9900I, 9900IX; LONESTAR, PAYSTAR 5500I, PAYSTAR 5600I, PAYSTAR 5900I; PROSTAR; (15-03); KENWORTH-C500, C500, T2000, T2000, T600A, T600A, T660, T660, T680, T680, T700, T700, T800, T800, T880, T880, W900, W900; W990 (23-98); MACK-CL, CL; (07-04); PETERBILT-357, 357, 365, 365, 367, 367, 378, 378, 379, 379, 384, 386, 386, 387, 387, 388, 388, 389, 389, 567, 567, 579, 579, 587, 587; (23-04); TEREX-FD; (12-10); VOLVO-VN SERIES, VNL, VNL SERIES, VNM, VNM, VT, VT; (18-03); WESTERN STAR-4900 SERIES; 4900EX, 4900FA, 4900SA, 6900XD (18-12)	
CE49580	Accessory Drive Belt Tensioner Assembly	JOHN DEERE-5065M Ag Tractor; 5075M Ag Tractor;(2009); MACK-CTP, CTP; CXP, CXP; CXU, CXU; GRANITE; GU; GU7, GU8, LEU, LEU; MR SERIES; MRU (15-07); PETERBILT-337, 337; (14-13); VOLVO-VAH SERIES; VHD, VHD; VN SERIES; VNL, VNL SERIES; VNM, VNM; (14-11)	
CE49582	Accessory Drive Belt Tensioner Assembly	FREIGHTLINER-114SD, 122SD, CASCADIA, CASCADIA; CORONADO, CORONADO; (20-16); INTERNATIONAL-5500I, 5600I, 5900I, 9200I SBA, 9400I SBA, 9900I, 9900IX, HX520, LONESTAR, LT625, PROSTAR (22-04); INTERNATIONAL/NAVISTAR-5500I, 5600I, 5900I, 9200, 9200I, 9400, 9400I, 9900, 9900I, 9900IX; LONESTAR, PAYSTAR 5500I, PAYSTAR 5600I, PAYSTAR 5900I; PROSTAR; WORKSTAR 7400; (13-03); KENWORTH-C500, C500, T2000, T2000, T600A, T600A, T660, T660, T680, T680, T700, T700, T800, T800, T880, W900, W900; W990 (23-98); MACK-CL, CL; CXU (14-04); PETERBILT-320, 320, 357, 357, 365, 365, 367, 367, 378, 378, 379, 379, 384, 384, 386, 386, 387, 387, 388, 388, 389, 389, 520, 567, 579, 579, 587, 587; (23-11); TEREX-FD; (12-10); VOLVO-VN SERIES, VNL, VNL SERIES; VNM, VNM, VT, VT; (18-03); WESTERN STAR-4900EX, 4900FA, 4900SA, 6900XD (18-11)	
CE49601	Accessory Drive Belt Tensioner Assembly	MACK-CHU, CHU; CTP, CTP; CXP, CXP; CXU, CXU; GRANITE; GU; GU7, GU8, LEU, LEU; LR; LR600, LR600; MR SERIES; MRU, PINNACLE, TERRAPRO; (19-08); VOLVO-VAH, VAH SERIES; VHD, VHD; VN SERIES; VNL, VNL 300, VNL 400, VNL 740, VNL 760, VNL 860, VNL SERIES; VNM, VNM; VNR 300, VNR 400, VNR 640, VNR SERIES; (19-11)	
CE49603	Accessory Drive Belt Tensioner Assembly	FREIGHTLINER-114SD, 114SD; 122SD, 122SD; CASCADIA, CASCADIA; CENTURY CLASS; COLUMBIA; CORONADO, CORONADO; M2 112, M2 BUSINESS CLASS (inc. Sport Chassis); SPORT CHASSIS (24-12); STERLING-A-LINE (9500); L-LINE (7500, 8500, 9500); (09-08); TEREX-FD; (14-10); TRAIL MATE-LAWN EDGERS; VAN HOOL-COMMUTER COACH CX, TDX DOUBLE DECKER COACH, TOURIST COACH TX (20-16); WESTERN STAR-4700 SERIES; 4700SB, 4700SF, 4800 SERIES; 4800SB, 4800SF, 4900 SERIES; 4900EX, 4900FA, 4900SA, 5700XE, 6900XD, 6900XD; (21-12)	
CE49607	Accessory Drive Belt Tensioner Assembly	AUTOCAR LLC-XSPOTTER ON ROAD(2017); BLUE BIRD-ALL AMERICAN FE; ALL AMERICAN RE, ALL AMERICAN RE; VISION (Conventional); VISION SCHOOL BUS (19-11); FORD-F650 SUPER DUTY; F650, F750; (15-13); FREIGHTLINER-108SD, 108SD; B2; M2 106, M2 BUSINESS CLASS (inc. Sport Chassis); MT45, MT45; MT55, MT55; S2 Chassis; XC LOWERED RAIL, XC MODULAR RAIL, XC Motor Home Chassis; XC RAISED RAIL, XC STRAIGHT RAIL (24-12); IC CORPORATION-CE COMMERCIAL, CE SCHOOL BUS(2017); INTERNATIONAL-4300, 4300LP, 7300, HV507, HV607, MV607 (22-14); INTERNATIONAL/NAVISTAR-4300; DURASTAR; (19-14); KENWORTH-K270, K270; K370, K370, T170, T170; T270, T270; T370, T370; (23-15); PETERBILT-220, 220, 325, 325, 330, 330, 337, 337, 348; 536 (23-15); THOMAS BUILT-SAF-T-LINER EF; SAF-T-LINER, B & C SERIES; (15-14)	

U-Joints



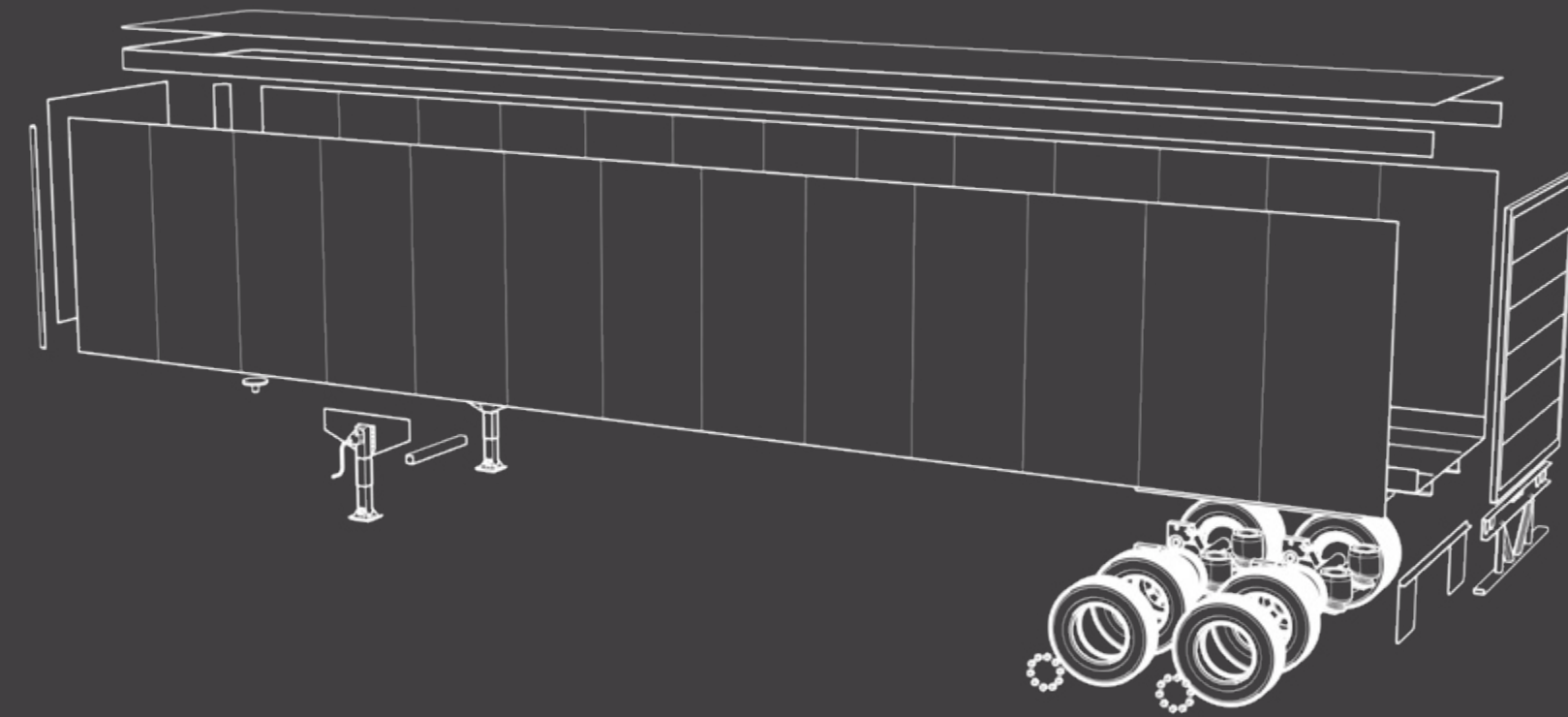
Part Number	Fleetcraft	Description	Greaseable	Bearing Cap Dia	Snap Rings	OEM Series	Style
SP5-103X	--	U-Joint Kit	Yes	0.938"	Yes	1000SG	ISR
SP5-153X	--	U-Joint Kit	Yes	1.062"	Yes	1310	OSR
SP5-170X	G5-170X	U-Joint Kit	Yes	0.938"	Yes	1000	ISR
SP5-280X	G5-280X	U-Joint Kit	Yes	1.938"	Bearing Plate	1710	BP
SP5-281X	G5-281X	U-Joint Kit	Yes	1.938"	Bearing Plate	1810	BP
SP5-407X	G5-407X	U-Joint Kit	Yes	1.938"	Bearing Plate	1760	BP
SP5-675X	G5-675X	U-Joint Kit	Yes	1.938"	Bearing Plate	1710	HR
SP5-676X	G5-676X	U-Joint Kit	Yes	1.938"	Bearing Plate	1810	HR
SP5-677X	G5-677X	U-Joint Kit	Yes	1.938"	Bearing Plate	1760	HR
SPL170-4X	--	U-Joint Kit	Yes	2.165"	Yes	SPL170	SPRTAB
SPL250-3X	--	U-Joint Kit	Yes	2.362"	Yes	SPL250	SPRTAB



Engine Components | U-Joints



NEWLIFE
HEAVY DUTY TRAILER PARTS



Landing Gear



Cranks

Part Number	Description	Length
SAFLG0083-01	Crank Handle, Vertical	6"
1014442	Crank Handle, Horizontal	7"
JSTC10591.2	Crank Handle, Horizontal	8.25"
JSTC10592.2	Crank Handle, Vertical	8.25"
SAFXA-V-90-0	Crank Handle, Mark V, Vertical	9.12"
JSTC10591.3	Crank Handle, Horizontal	10.5"
1014439	Crank Handle, Vertical	11"
1014444	Crank Handle, Horizontal	11"
SAF112003	Crank Handle, Horizontal	14"
JSTC10591.5	Crank Handle, Horizontal	14.75"
JSTC10592.5	Crank Handle, Vertical	14.75"
1014445	Crank Handle, Vertical	15"
1014446	Crank Handle, Horizontal	15"
SAFXA-V-90-10	Crank Handle, Mark V, Vertical	17"
JSTC10592.4	Crank Handle, Vertical	17.75"
SAFXA-V-90-12	Crank Handle, Mark V, Vertical	21"
1014440	Crank Handle, Vertical	21"
JSTB10261	Crank Handle Holder, 1" Wide	2.75"
SAFXB-LG0089	Crank Handle Holder, Wire	6.3"
SAF506180000	Crank Handle Holder, 1.5" Wide	4"



JSTB10261



SAFXB-LG0089



SAF506180000

Gear Boxes

Part Number	Description	Shaft Length	Material	Image
SAF741805	Gearbox Hopper	3"	Cast Iron	A
SAF742119	Gearbox Hopper Timpote	22.6"	Steel	B

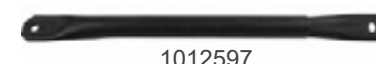


Adjustable Braces

Part Number	Description	Size	Packaging	Mount Type
1012589	Adjustable Brace for Square Leg Landing Gear	26"-41"	2 Piece	Bolt-On
1012590	Adjustable Brace, Standard Duty	42"-57"	2 Piece	Bolt-On
1012591	Adjustable Brace, Extra Heavy Duty	26"-41"	2 Piece	Bolt-On
1012597	Adjustable Brace	26"-41"	1 Piece	Bolt-On
1190656	Adjustable Brace for Square Leg Landing Gear	56"-72"	2 Piece	Bolt-On



1012589



1012597

Brace Lugs

Part Number	Description	Size	Packaging	Mount Type
1011247	Plate Brace Lug	4-1/2"x13"	1 Piece	Weld-On
1011248	Mounting Bracket Brace Lug	3"x8"	1 Piece	Weld-On
1011249	Brace Lug	3"x9-1/2"	1 Piece	K-Brace
1013566	Brace Lug, 2-Hole 90 Deg.	2-1/4"x3-1/4"	1 Piece	Weld/Bolt-On
JSTC10108	Brace Lug w/ Bracket, 2 Hole Round Corner W-Shape	7-3/4"x2"	1 Piece	Weld-On
J4890	Brace Lug, Square Leg 2 Hole W-Shape	4-1/4"x4-1/4"	1 Piece	Bolt-On



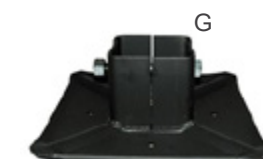
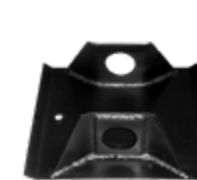
1013566



J4890

Feet

Part Number	Description	Size	Mount Type	Image
1011221	Fleetcraft Sand Shoe Axle w/ End Cap, Schedule 40	8-1/2" Length	Bolt On	A
1011223	Fleetcraft Sand Shoe Axle w/ End Cap, Schedule 80	8-1/4" Length	Bolt On	B
1011225	Fleetcraft Sand Shoe, Single Gusset, Flared Hole	4.5"x10"x10"	Bolt On	C
1011310	Fleetcraft Sand Shoe w/ Patch, Low Profile, No Gusset	2.5"x10"x10"	Bolt On	D
JSTC11188	Jost Removable Cushion Foot, Bolted	10"x10"	Bolt On	E
JSTC10717P42	Jost Cushion Foot Service Kit, Weld On	10"x10"	Weld On	F
SAFLG0048-01	SAF Holland Cushion Foot Kit	10"x10"	Bolt On	G





Cross Shafts

Part Number	Description	Overall Length	Packaging
1011235	Cross Shaft, Outside Mt., Slotted Ends	68"	1 Piece
1011235-56.5	Cross Shaft, Inside Mt., Slotted Ends	56.5"	1 Piece
9260-3	Cross Shaft, Adjustable, Slotted Ends	53"-72"	3 Piece
SAFLG0094-6150	Cross Shaft, Slotted Ends	61.5"	1 Piece
SAFLG0094-6450	Cross Shaft, Slotted Ends	64.5"	1 Piece
SAFLG0094-8050	Cross Shaft, Slotted Ends	80.5"	1 Piece



1011235



9260-3



SAFLG0094-6450

Wing Plates

Part Number	Description	Size
4-A1-223	Mounting Bracket, Trailmobile	50-1/2"x11-1/2"
4-A1-224L	Mounting Bracket, Roadside, Trailmobile	50-1/2"x11-1/2"
4-A1-224R	Mounting Bracket, Curbside, Trailmobile	50-1/2"x11-1/2"
UTL03-1103-0077	Utility Bracket, Roadside, Weld On	48-1/2"x23"
UTL03-1103-0078	Utility Bracket, Curbside, Weld On	48-1/2"x23"
UTL03-1103-0123	Utility Bracket, Roadside Doubler, Weld On, 8 Holes	13-3/4"x8-7/8"
UTL03-1103-0124	Utility Bracket, Curbside Doubler, Weld On, 8 Holes	13-3/4"x8-7/8"



4-A1-224L



UTL03-1103-0077



UTL03-1103-0124

MAKE IT A KIT!

With Fleetcraft Landing Gear Sets, Kits, Gearside and Nongear Legs:

- Put a **'K'** on the end of the part number to get the Gearside and Nongear landing along with a crank handle, brace ears, and cross shaft. **Ex: 1013912K**
- Put **NOTHING** on the end to get just the Gearside and Nongear Legs - Legs Only. **Ex: 1013912**
- For a Gearside Leg, put a **'-2'** on the end of the part number. **Ex: 1013912-2**
- For a Nongear Leg, put a **'-1'** on the end of the part number. **Ex: 1013912-1**



With Jost Landing Gear Sets, Kits, Gearside and Nongear Legs:

- Put a **'K'** on the end of the part number to get the Gearside and Nongear landing along with a crank handle, brace ears, and cross shaft. **Ex: A400-T-17K**
- Put an **'S'** on the end to get just the Gearside and Nongear Legs - Legs Only. **Ex: A400-T-17S**
- For a Gearside Leg, put a **'RH'** on the end of the part number. **Ex: A400-T-17RH**
- For a Nongear Leg, put a **'LH'** on the end of the part number. **Ex: LG4001-71LH**



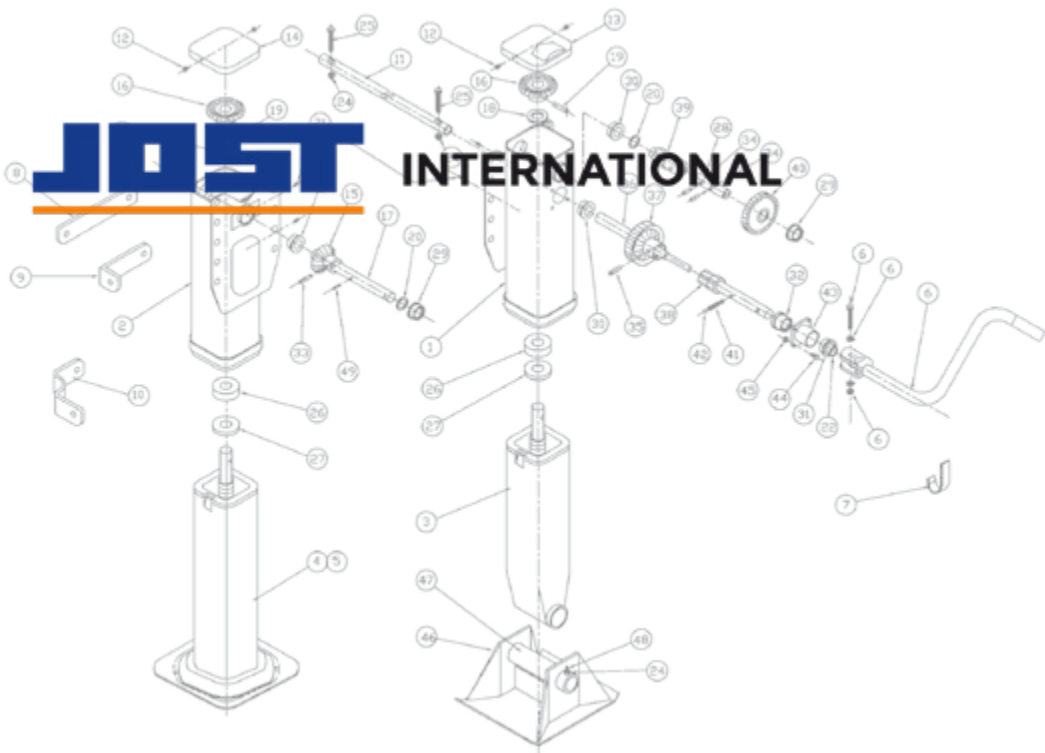
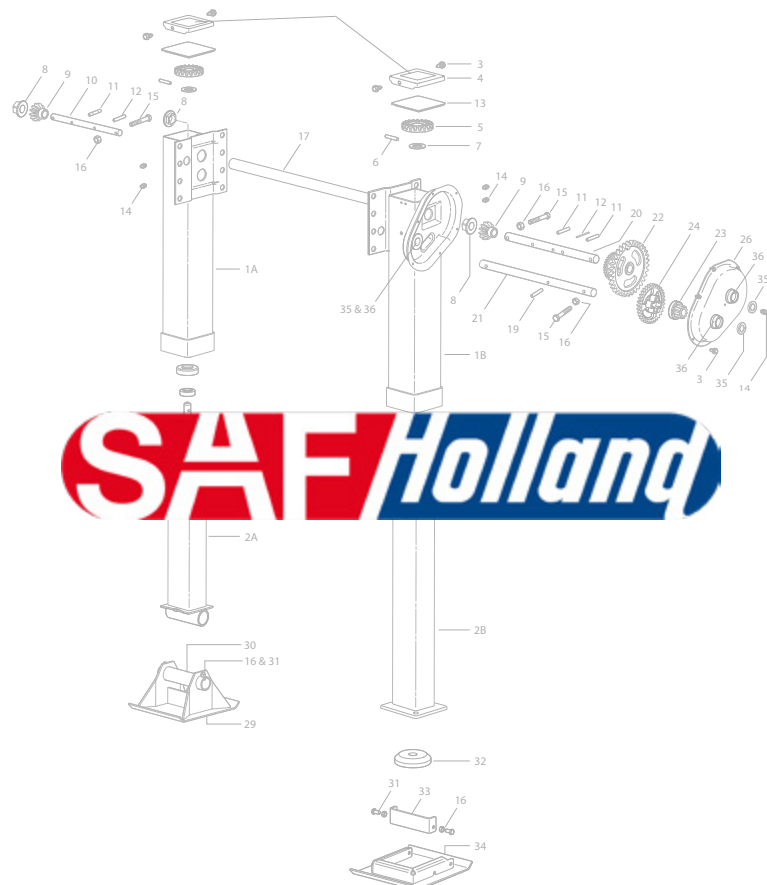
With SAF-Holland Landing Gear Sets, Kits, Gearside and Nongear Legs:

- Put a **'K'** on the end of the part number to get the Gearside and Nongear landing along with a crank handle, brace ears, and cross shaft. **Ex: LG4001-70K**
- Put a **'S'** on the end to get just the Gearside and Nongear Legs - Legs Only. **Ex: LG4001-70S**
- For a Nongear Atlas 55 or 65, put a **'1'** on the end of the part number. **Ex: LG4001-72**
- For a Gearside Atlas 55 or 65, put a **'2'** on the end of the part number. **Ex: LG4001-71**
- For a Gearside Mark V, put a prefix of **'XA-S8'** on the part number. **Ex: XA-S8-1A105**
- For a Nongear Mark V, put a prefix of **'XA-S9'** on the part number. **Ex: XA-S9-1A105**



If you would like a different crank handle than what comes in the kit, many landing gear sets have that option.

These Landing Gear have different leg travels and load capacities. This is a listing to let you know what we have in choices of Landing Gear. All of these Landing Gear have more part numbers than the ones listed here, changing the footwear, travel, or capacity. As your Landing Gear Headquarters, we add new legs all the time!



2 Shaft



ALL Fleetcraft Models Have:
8-Hole Bolt Pattern, TTMA Mounting, 16.87"
Travel, Constant Mesh Gearbox Design.

Part Number	Description	Shoe Size	Shoe Style
1013912K	Kit, Universal Mt.	4.5"x10"x10"	Sandshoe
1013912	Universal Mt., No Hardware	4.5"x10"x10"	Sandshoe
1013912-1	Non Gear Box, 1 Speed	4.5"x10"x10"	Sandshoe
1013912-2	Gear Box, 2 Speed	4.5"x10"x10"	Sandshoe
1013916K	Kit, Universal Mt.	10"x10"	Cushion Foot
1013932K	Kit, Universal Mt.	2.5"x10"x10"	Sandshoe
1013932	Universal Mt., No Hardware	2.5"x10"x10"	Sandshoe
1013932-1	Non Gear Box, 1 Speed	2.5"x10"x10"	Sandshoe
1013932-2	Gear Box, 2 Speed	2.5"x10"x10"	Sandshoe



1013912-1

Capacities & Ratings

2 Shaft: The Original!
Lifting Capacity (Over 2
Legs) - 39,000 lbs
Ultimate Load Capacity
(Over 2 Legs) - 140,000 lbs
Legs Bend or Break with
Side Thrust - 27,000 lbs

3 Shaft

Part Number	Description	Shoe Size	Shoe Style
1013962K	Kit, Universal Mt.	4.5"x10"x10"	Sandshoe
1013962K12	Set, Universal Mt.	4.5"x10"x10"	Sandshoe
1013962	Universal Mt., No Hardware	4.5"x10"x10"	Sandshoe
1013962-1	Non Gear Box, 1 Speed	4.5"x10"x10"	Sandshoe
1013962-2	Gear Box, 2 Speed	4.5"x10"x10"	Sandshoe
1013964K	Kit, Universal Mt.	2.5"x10"x10"	Sandshoe
1013964	Universal Mt., No Hardware	2.5"x10"x10"	Sandshoe
1013964-1	Non Gear Box, 1 Speed	2.5"x10"x10"	Sandshoe
1013964-2	Gear Box, 2 Speed	2.5"x10"x10"	Sandshoe



1013962

Capacities & Ratings

3 Shaft
Lifting Capacity (Over 2
Legs) - 55,000 lbs
Ultimate Load Capacity
(Over 2 Legs) - 170,000 lbs
Legs Bend or Break with
Side Thrust - 30,000 lbs

J-Model

Part Number	Description	Shoe Size	Shoe Style
1013992K	Kit, Outside Mt.	4.5"x10"x10"	Sandshoe
1013992-1	Non Gear Box, Outside Mt.	4.5"x10"x10"	Sandshoe
1013992-2	Gear Box, Outside Mt.	4.5"x10"x10"	Sandshoe
1013993	Outside Mt., No Hardware	10"x10"	Cushion Foot
1013994	Inside Mt., No Hardware	10"x10"	LP Cushion Foot
1013994K	Set, Inside Mt.	10"x10"	LP Cushion Foot
1013995K	Kit, Universal Mt.	4.5"x10"x10"	Sandshoe
1013995	Universal Mt., No Hardware	4.5"x10"x10"	Sandshoe
1013996	Outside Mt., 19" Travel	4.5"x10"x10"	Sandshoe



1013995

Capacities & Ratings

J-Model
Lifting Capacity - 50,000 lbs
Static Load Capacity -
160,000 lbs
Side Load Capacity -
29,000 lbs
Gear Ratio:
Low Gear... 32 Turns = 1"
High Gear... 3.5 Turns = 1"



Inside Mounts

Part Number	OE Jost Number	Description	Travel	Shoe Size	Shoe Style
JSTA401.G3.17	A401.G3.17	Set, Inside Mt.	17"	10"x10"	Cushion Foot
JSTA401L.G3.17	A401L.G3.17	Left-Hand, Inside Mt.	17"	10"x10"	Lo-Pro Cushion Foot
JSTA401R.G3.17	A401R.G3.17	Right-Hand, Inside Mt.	17"	10"x10"	Lo-Pro Cushion Foot
JSTA401.G.17	A401.G.17	Set, Inside Mt., No Hardware	17"	10"x10"	Cushion Foot
JSTA401L.G.17	A401.G.17	Left-Hand, Inside Mt.	17"	10"x10"	Cushion Foot
JSTA401R.G.17	A401.G.17	Right-Hand, Inside Mt.	17"	10"x10"	Cushion Foot
JSTA401.T.17	A401.T.17	Set, Inside Mt., No Hardware	17"	10"x10"	Sandshoe
JSTA401L.T.17	A401L.T.17	Left-Hand, Inside Mt.	17"	10"x10"	Sandshoe
JSTA401R.T.17	A401R.T.17	Right-Hand, Inside Mt.	17"	10"x10"	Sandshoe
JSTA401.G3.19	A401.G3.19	Set, Inside Mt., Less Hardware	19"	10"x10"	Lo-Pro Cushion Foot
JSTA401L.G3.19	A401L.G3.19	Left-Hand, Inside Mt.	19"	10"x10"	Lo-Pro Cushion Foot
JSTA401R.G3.19	A401R.G3.19	Right-Hand, Inside Mt.	19"	10"x10"	Lo-Pro Cushion Foot
JSTA401.T1.17	A401.T1.17	Set, Inside Mt., No Hardware	17"	10"x10"	Lo-Pro Sandshoe
JSTA401L.T1.17	A401L.T1.17	Left-Hand, Inside Mt.	17"	10"x10"	Lo-Pro Sandshoe
JSTA401R.T1.17	A401R.T1.17	Right-Hand, Inside Mt.	17"	10"x10"	Lo-Pro Sandshoe
JSTA431L.G3.V01	A431L.G3.17.38	Left-Hand, Inside Mt., Heavy Duty	17"	10"x10"	Lo-Pro Cushion Foot
JSTA431R.G3.V01	A431R.G3.17.38	Right-Hand, Inside Mt., Heavy Duty	17"	10"x10"	Lo-Pro Cushion Foot
JSTA441L.G3.V01	A441L.G3.17.08	Left-Hand, Inside Mt., Heavy Duty	17"	10"x10"	Lo-Pro Cushion Foot
JSTA441R.G3.V01	A441R.G3.17.08	Right-Hand, Inside Mt., Heavy Duty	17"	10"x10"	Lo-Pro Cushion Foot
JSTA451L.G3.V01	A451L.G3.17.38	Left-Hand, Inside Mt., Removable Foot	17"	10"x10"	Lo-Pro Cushion Foot
JSTA451R.G3.V01	A451R.G3.17.38	Right-Hand, Inside Mt., Removable Foot	17"	10"x10"	Lo-Pro Cushion Foot

Capacities & Ratings

A400

Max. Static Load - 160,000 lbs
 Rated Lift - 55,000 lbs
 Side Load - 29,000 lbs

Gear Ratio:

Low Gear: 32 Turns/Inch
 High Gear: 3.5 Turns/Inch

L300

Max. Static Load - 140,000 lbs
 Rated Lift - 50,000 lbs
 Side Load - 26,000 lbs

Gear Ratio:

Low Gear: 32 Turns/Inch
 High Gear: 3.5 Turns/Inch

A440

Max. Static Load - 170,000 lbs
 Rated Lift - 62,500 lbs
 Side Load - 33,000 lbs

Gear Ratio:

Low Gear: 32 Turns/Inch
 High Gear: 3.5 Turns/Inch



JSTA401.G3.17



JSTA401.T.17



INTERNATIONAL



Outside Mounts

Part Number	OE Jost Number	Description	Travel	Shoe Size	Shoe Style
JSTL300.T.17	L300.T.17	Set, Outside Mt.	17"	10"x10"	Sandshoe
JSTL300.T1.17	L300.T1.17	Set, Outside Mt.	17"	10"x10"	Lo-Pro Sandshoe
JSTA400.T.17	A400.T.17	Set, Outside Mt.	17"	10"x10"	Sandshoe
JSTA400L.T.17	A400L.T.17	Left-Hand, Outside Mt.	17"	10"x10"	Sandshoe
JSTA400R.T.17	A400R.T.17	Right-Hand, Outside Mt.	17"	10"x10"	Sandshoe
JSTA400L.T18.17	A400L.T18.17.SPC	Left-Hand, Outside Mt.	17"	10"x10"	SS w/ Solid Axle
JSTA400R.T18.17	A400R.T18.17.SPC	Right-Hand, Outside Mt.	17"	10"x10"	SS w/ Solid Axle
JSTA400.G3.17	A400.G3.17	Set, Outside Mt.	17"	10"x10"	Lo-Pro Cushion Foot
JSTA400L.G3.17	A400L.G3.17	Left-Hand, Outside Mt.	17"	10"x10"	Lo-Pro Cushion Foot
JSTA400R.G3.17	A400R.G3.17	Right-Hand, Outside Mt.	17"	10"x10"	Lo-Pro Cushion Foot
JSTA400.T.19	A400.T.19	Set, Outside Mt.	19"	10"x10"	Sandshoe
JSTA400L.T.19	A400L.T.19	Left-Hand, Outside Mt.	19"	10"x10"	Sandshoe
JSTA400R.T.19	A400R.T.19	Right-Hand, Outside Mt.	19"	10"x10"	Sandshoe
JSTA400L.T18.19	A400L.T18.19.SPC	Left-Hand, Outside Mt.	19"	10"x10"	SS w/ Solid Axle
JSTA400R.T18.19	A400R.T18.19.SPC	Right-Hand, Outside Mt.	19"	10"x10"	SS w/ Solid Axle
JSTA400.G.19	A400.G.19	Set, Outside Mt.	19"	10"x10"	Cushion Foot
JSTA400L.G.19	A400L.G.19	Left-Hand, Outside Mt.	19"	10"x10"	Cushion Foot
JSTA400R.G.19	A400R.G.19	Right-Hand, Outside Mt.	19"	10"x10"	Cushion Foot
JSTA400.G3.19	A400.G3.19	Set, Outside Mt., No Hardware	19"	10"x10"	Lo-Pro Cushion Foot
JSTA400L.G3.19	A400L.G3.19	Left-Hand, Outside Mt.	19"	10"x10"	Lo-Pro Cushion Foot
JSTA400R.G3.19	A400R.G3.19	Right-Hand, Outside Mt.	19"	10"x10"	Lo-Pro Cushion Foot
JSTA400R.T.17.02	A400R.T.17.02	Right-Hand Bracketless	17"	10"x10"	Sandshoe
JSTA400L.T.17.02	A400L.T.17.02	Left-Hand Bracketless	17"	10"x10"	Sandshoe



JSTA400R.G3.19



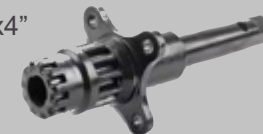
A400R.T18.17.SPC

Travel	Shoe Style					
	T, T2, G, G1		T1, T3		G3, G8	
	Extended	Retracted	Extended	Retracted	Extended	Retracted
14	42-5/8"	28-5/8"	40-1/8"	26-1/8"	39-3/4"	25-3/4"
17	48-5/8"	31-5/8"	46-1/8"	29-1/8"	45-3/4"	28-3/4"
19	52-5/8"	33-5/8"	50-1/8"	31-1/8"	49-3/4"	30-3/4"

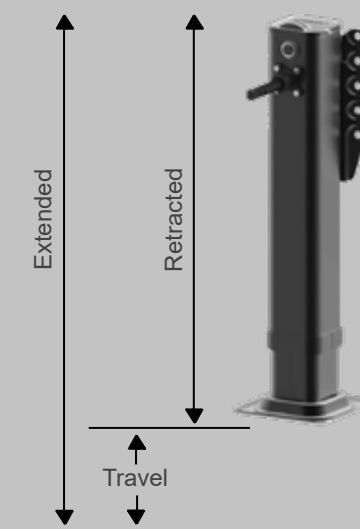
Shaft Assembly Kit

JSTB10285

Size: 10"x4"x4"
 Universal



Travel Dimensions:





Atlas 55

Part Number	Description	Travel	Shoe Size	Shoe Style
SAFLG4001-70K	Kit, Universal Mount	17"	4.5"x10"x10"	Sandshoe
SAFLG4001-70S	Set, Universal Mount	17"	4.5"x10"x10"	Sandshoe
SAFLG4001-71	Left-Hand, Universal Mount	17"	4.5"x10"x10"	Sandshoe
SAFLG4001-72	Right-Hand, Universal Mount	17"	4.5"x10"x10"	Sandshoe
SAFLG4003-70K	Kit, Universal Mount	17"	2"x10"x10"	Sandshoe
SAFLG4003-70S	Set, Universal Mount	17"	2"x10"x10"	Sandshoe
SAFLG4003-71	Left-Hand, Universal Mount	17"	2"x10"x10"	Sandshoe
SAFLG4003-72	Right-Hand, Universal Mount	17"	2"x10"x10"	Sandshoe
SAFLG4001-90K	Kit, Universal Mount	19"	4.5"x10"x10"	Sandshoe
SAFLG4001-90S	Set, Universal Mount	19"	4.5"x10"x10"	Sandshoe
SAFLG4001-91	Left-Hand, Universal Mount	19"	4.5"x10"x10"	Sandshoe
SAFLG4001-92	Right-Hand, Universal Mount	19"	4.5"x10"x10"	Sandshoe
SAFLG400B-505S	Set, Universal Mount	15.5"	10"x10"	R.C.F.
SAFLG400B-515	Left-Hand, Universal Mount	15.5"	10"x10"	R.C.F.
SAFLG400B-525	Right-Hand, Universal Mount	15.5"	10"x10"	R.C.F.
SAFLG400B-70K	Kit, Universal Mount	17"	10"x10"	R.C.F.
SAFLG400B-70S	Set, Universal Mount	17"	10"x10"	R.C.F.
SAFLG400B-71	Left-Hand, Universal Mount	17"	10"x10"	R.C.F.
SAFLG400B-72	Right-Hand, Universal Mount	17"	10"x10"	R.C.F.
SAFLG400B-705K	Kit, Universal Mount	17"	10"x10"	R.C.F.
SAFLG400B-705S	Set, Universal Mount	17"	10"x10"	R.C.F.
SAFLG400B-715	Left-Hand, Universal Mount	17"	10"x10"	R.C.F.
SAFLG400B-725	Right-Hand, Universal Mount	17"	10"x10"	R.C.F.
SAFLG419B715SHH	Left-Hand, Conventional Mount	17"	10"x10"	R.C.F.
SAFLG419B725SHH	Right-Hand, Conventional Mount	17"	10"x10"	R.C.F.



SAFLG4003-70S



SAFLG4001-90S

Capacities & Ratings

Atlas 55

Lift Capacity - 55,000 lbs
 Ultimate Load - 170,000 lbs
 Side Load - 30,000 lbs

Gear Ratio:

Low Gear: 38.7 Turns/Inch
 High Gear: 4.5 Turns/Inch

Atlas 65

Lift Capacity - 65,000 lbs
 Ultimate Load - 170,000 lbs
 Side Load - 34,000 lbs

Gear Ratio:

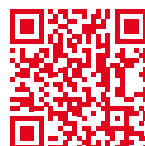
Low Gear: 38.6 Turns/Inch
 High Gear: 4.5 Turns/Inch

Mark V

Lift Capacity - 62,500 lbs
 Ultimate Load - 200,000 lbs
 Side Load - 32,000 lbs

Gear Ratio:

Low Gear: 33.8 Turns/Inch
 High Gear: 2.5 Turns/Inch



Atlas 65

Part Number	Description	Travel	Shoe Size	Shoe Style
SAFLG6501-70K	Kit, Universal Mount	17"	4.5"x10"x10"	Sandshoe
SAFLG6501-70S	Set, Universal Mount	17"	4.5"x10"x10"	Sandshoe
SAFLG6501-71	Left-Hand, Universal Mount	17"	4.5"x10"x10"	Sandshoe
SAFLG6501-72	Right-Hand, Universal Mount	17"	4.5"x10"x10"	Sandshoe
SAFLG6503-70K	Kit, Universal Mount	17"	2"x10"x10"	Sandshoe
SAFLG6503-70S	Set, Universal Mount	17"	2"x10"x10"	Sandshoe
SAFLG6503-71	Left-Hand, Universal Mount	17"	2"x10"x10"	Sandshoe
SAFLG6503-72	Right-Hand, Universal Mount	17"	2"x10"x10"	Sandshoe
SAFLG6501-90K	Kit, Universal Mount	19"	4.5"x10"x10"	Sandshoe
SAFLG6501-90S	Set, Universal Mount	19"	4.5"x10"x10"	Sandshoe
SAFLG6501-91	Left-Hand, Universal Mount	19"	4.5"x10"x10"	Sandshoe
SAFLG6501-92	Right-Hand, Universal Mount	19"	4.5"x10"x10"	Sandshoe
SAFLG650B-70K	Kit, Universal Mount	17"	10"x10"	R.C.F.
SAFLG650B-70S	Set, Universal Mount	17"	10"x10"	R.C.F.
SAFLG650B-71	Left-Hand, Universal Mount	17"	10"x10"	R.C.F.
SAFLG650B-72	Right-Hand, Universal Mount	17"	10"x10"	R.C.F.



SAFLG6503-72



SAFLG6501-71

Mark V

Part Number	Description	Travel	Shoe Size	Shoe Style
SAFLGS-3A105K	Kit, Universal Mount, Standard Axle	16.5"	4.9"x12"x11.5"	Sandshoe
SAFLGS-3A105S	Set, Universal Mount	16.5"	4.9"x12"x11.5"	Sandshoe
SAFXA-S9-3A105	Left-Hand, Universal Mount	16.5"	4.9"x12"x11.5"	Sandshoe
SAFXA-S8-3A105	Right-Hand, Universal Mount	16.5"	4.9"x12"x11.5"	Sandshoe
SAFLGS-4A105K	Kit, Universal Mount	17.6"	4.9"x12"x11.5"	Sandshoe
SAFLGS-4A105S	Set, Universal Mount	17.6"	4.9"x12"x11.5"	Sandshoe
SAFXA-S9-4A105	Left-Hand, Universal Mount	17.6"	4.9"x12"x11.5"	Sandshoe
SAFXA-S8-4A105	Right-Hand, Universal Mount	17.6"	4.9"x12"x11.5"	Sandshoe
SAFLGS-5A105K	Kit, Universal Mount	18.7"	4.9"x12"x11.5"	Sandshoe
SAFLGS-5A105S	Set, Universal Mount	18.7"	4.9"x12"x11.5"	Sandshoe
SAFXA-S9-5A105	Left-Hand, Universal Mount	18.7"	4.9"x12"x11.5"	Sandshoe
SAFXA-S8-5A105	Right-Hand, Universal Mount	18.7"	4.9"x12"x11.5"	Sandshoe
SAFLGS-3A001K	Kit, Universal Mount	16.5"	12" Diameter	Self-Leveler
SAFLGS-3A001S	Set, Universal Mount	16.5"	12" Diameter	Self-Leveler
SAFXA-S9-3A001	Left-Hand, Universal Mount	16.5"	12" Diameter	Self-Leveler
SAFXA-S8-3A001	Right-Hand, Universal Mount	16.5"	12" Diameter	Self-Leveler
SAFLGS-4A001K	Kit, Universal Mount	17.6"	12" Diameter	Self-Leveler
SAFLGS-4A001S	Set, Universal Mount	17.6"	12" Diameter	Self-Leveler
SAFXA-S9-4A001	Left-Hand, Universal Mount	17.6"	12" Diameter	Self-Leveler
SAFXA-S8-4A001	Right-Hand, Universal Mount	17.6"	12" Diameter	Self-Leveler



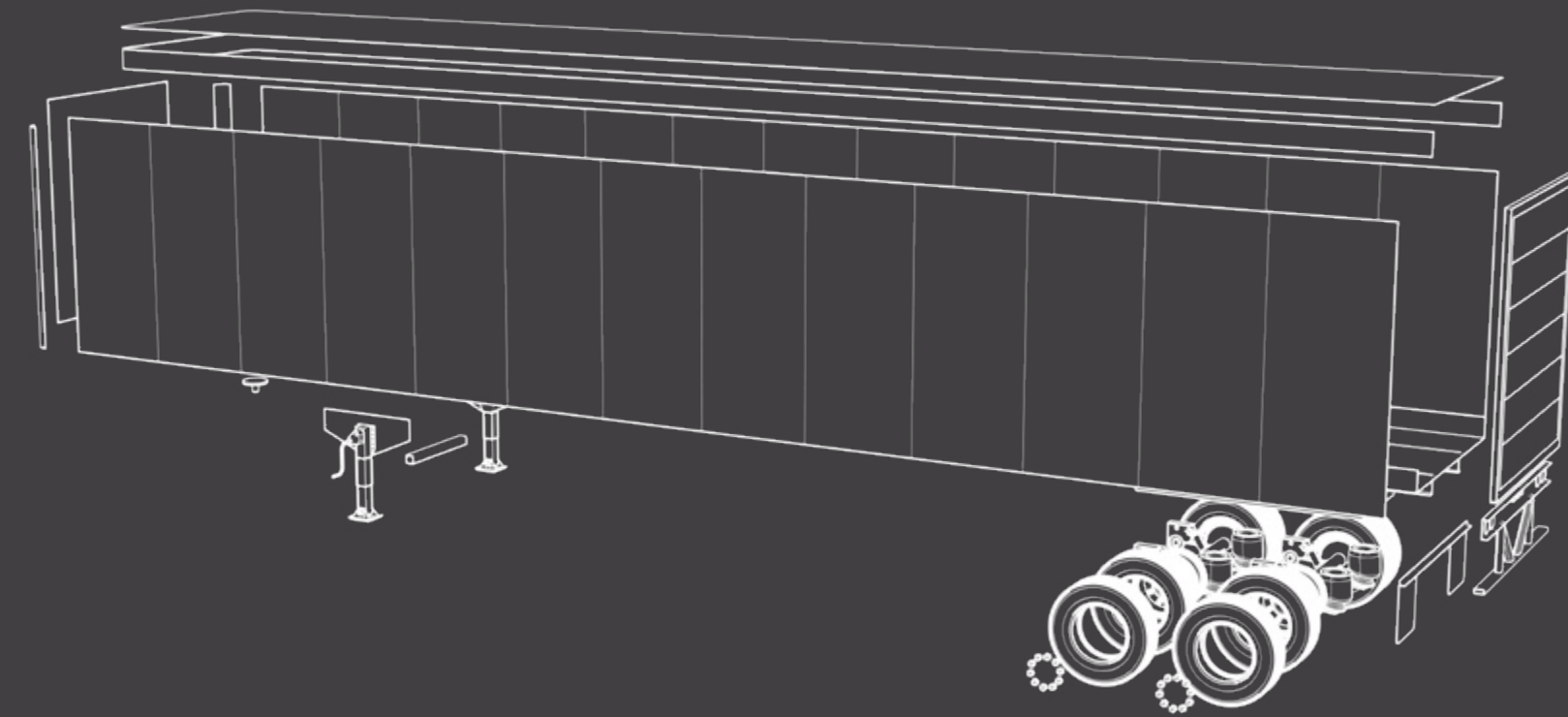
SAFXA-S9-5A105



SAFLGS-5A105K



NEWLIFE
HEAVY DUTY TRAILER PARTS



Doors



Swing Door Blanks

Premium exterior grade plywood cores with a variety of facings to meet your specifications.. Facings include pre-painted aluminum, mill finish aluminum, pre-painted steel, stainless steel and galvanized steel.

ABBREVIATIONS: PPW: Pre-painted White, **PPG:** Pre-painted Gray, **MFA:** Mill Finish Aluminum, **HDG:** Heavy Duty Galvanized



Part Number	Description	Material	Color	Finish	Thickness	Width	Height	PK QTY
1013877	Swing Door	Composite	White	PPW	.512"	49"	121"	1
1013878	Swing Door	Composite	White	PPW	.512"	49"	110.5"	1
1013883	Swing Door	Composite	White	PPW	13MM	49"	110.5"	1
1013886	Swing Door	Composite	Amazon Blue	--	.512"	49"	110.5"	1
1013874	Swing Door	Plymetal	White	MFA	.75"	48"	110.5"	1
1013885	Swing Door	Plymetal	White	MFA	.75"	48"	110.5"	25
1013870	Swing Door	Plymetal	White	MFA	.75"	48"	120"	1
1013887	Swing Door	Plymetal	White	MFA	.75"	48"	120"	25
ML5029-B	Swing Door-Mirror Finish	Plymetal	S.S.	--	.5"	48"	120"	1
WHTML5005	Swing Door	Plymetal	White	MFA	.5"	48"	120"	1
WHTML5011	Swing Door	Plymetal	White	HDG	.75"	48"	110.5"	1
WHTML5021	Swing Door	Plymetal	White	HDG	.75"	48"	120"	1
WHTML5060	Swing Door	Plymetal	White	HDG	.75"	48"	144"	1

Corner Tabs

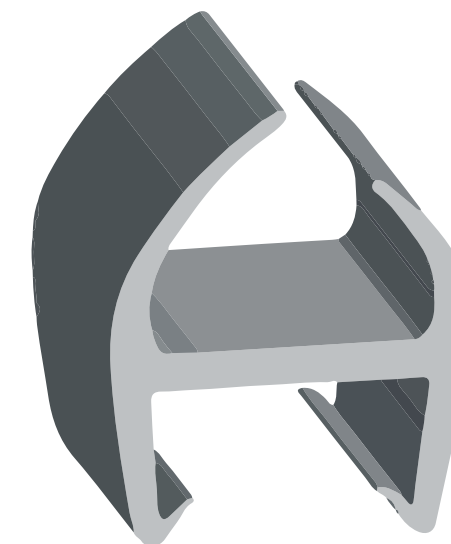
Part Number	Description
1013859	Corner Tab 7/8" - 100/PK
1013860	Corner Tab 1-1/4" Wide - 100/PK
1013862	Adhesive Corner Tab



1013859

Door Seal

Part Number	Description	Door Thickness	Material	Length
1014044	Door Seal	1"	Vinyl	14'
1014045	Door Seal	1-1/4"	Vinyl	14'
1013863	Door Seal	3/4"	Vinyl	14'
1013864	Door Seal	3/4"	Vinyl	14'
10MM-TS	Door Seal	10MM	Vinyl	14'
1013865	Door Seal	1/2"	Vinyl	14'



1013864

Vents

Part Number	Description
024-02591-NL	Vent Door 20" x 14.5" with Screen
024-03000	Vent Aluminum 10.5" x 12.15" - Adjustable
TRG69085	Vent Aluminum 10.5" x 12.15" - Adjustable



024-02591-NL



024-03000



Hinges

Part Number	Description	Material	Holes	Size	Style	Image
P108940A	Swing Door Hinge	Extruded Aluminum	(4) .41 dia	2-3/4" x 8-1/2"	Wabash	
022-00975	Swing Door Hinge	Extruded Aluminum	(4) .41 dia	2-3/4" x 9-1/2"	Wabash	
022-01407	Swing Door Hinge	Extruded Aluminum	(3) .41 dia	3" x 9.8"	Vanguard	
022-00407	Swing Door Hinge	Extruded Aluminum	(3) .41 dia	3-7/8" x 8-3/8"	Great Dane	
022-01081 / P108630A	Swing Door Hinge	Extruded Aluminum	(3) .41 dia	2.86" x 9.6"	Stoughton	
022-01184 / 1010176	Swing Door Hinge	Extruded Aluminum	(3) .41 dia	3" x 9.55"	Utility / Strick	
022-01013	Swing Door Hinge	Extruded Aluminum	(4) .41 dia	2-3/4" x 9.69"	Universal	
1402-2003	Swing Door Hinge	Galv. Steel	(5) .41 dia	4" x 9-1/2"	Universal	
P108640A	Swing Door Hinge	Extruded Aluminum	(4) .41 dia	2-3/4" x 9-1/2"	Dorsey	
1402-7523	Swing Door Hinge	Extruded Aluminum	(4) .41 dia	2-3/4" x 8-11/16"	Universal	

Hinge Butts

Part Number	Description	Material	Length I.D.	Height to Center	Style	Hinges	Image
HB-1156-6	Hinge Butt - Notched	Zinc Plated Steel	4.25"	1.38"	--	023-00559	
HB-1156-6-P	Hinge Butt	Steel	4.25"	1.38"	--	023-00559	
023-00639	Hinge Butt	Zinc Plated Steel	4.25"	1.12"	Miller	022-00030	
023-00645	Hinge Butt - Notched	Zinc Plated Steel	4.25"	1.12"	Kentucky	022-00614	
023-00660	Hinge Butt	Steel	2.88"	2.13"	Dorsey	--	
023-00662	Hinge Butt - Notched	Steel	2.88"	1.75"	Dorsey	022-00888 / 022-08089	
023-00669	Hinge Butt - Notched	Steel	3.00"	1.38"	Wabash	022-00975 / 022-01047 / 022-01105 / 022-01182	
022-01001	Hinge Butt	Steel	3.13"	1"	--	--	
P1169061A	Hinge Butt - Bolt-on	Aluminum	2.75"	1.38"	--	P1086 / P111440 / P1089 / P10954	
WCF003981-001	Hinge Butt - Notched	Steel	4.06"	1.18"	Fruehauf	--	
700-515-149	Hinge Butt - .38 Dia Hole	Steel	3.19" Wide	1.5" Tall	Great Dane	--	



Hinge Pins

Part Number	Description	Material	Length	Dia.	Image
1153668	Hinge Pin	Zinc Plated Steel	4-1/8"	1/2"	
1153666	Hinge Pin	Zinc Plated Steel	5-1/4"	1/2"	
997-98015	Hinge Pin	Zinc Plated Steel	5"	3/8"	
997-98016	Hinge Pin	Zinc Plated Steel	4-1/4"	5/8"	
997-98019	Hinge Pin - Utility Style	Zinc Plated Steel	4.45"	5/8"	

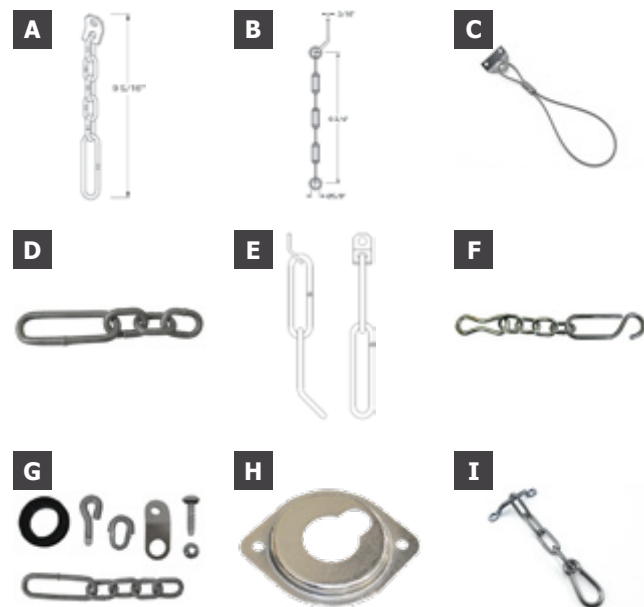
Hold Backs

T-Slot Holdback Kits		
Part Number	Description	Length
1037901-4-25	Holdback - T-Slot Kit	4"
022-01022	Holdback - T-Slot Kit	4"
1037901-6-25	Holdback - T-Slot Kit	6"
1037901-F	Holdback - Female T-Slot	--

Chain & Cable Holdbacks		
Part Number	Description	Image
1310600	Door Holdback Latch Assembly	A
1310603	Holdback Bracket Chain Assembly	B
022-00487	Holdback Fruehauf Cable	C
021-00051	Holdback Assy Chain & Snap	I
GTMGT-1317	4IN Holdback 3 Small Links	D
HYU10029642	Holdback Chain H06-019-2 with RE	E
WAB06302201	Door Holdback Chain Assembly	F
WAB06300270	Wabash Door Holdback	G
WAB06301614	Holdback Trustlock	H

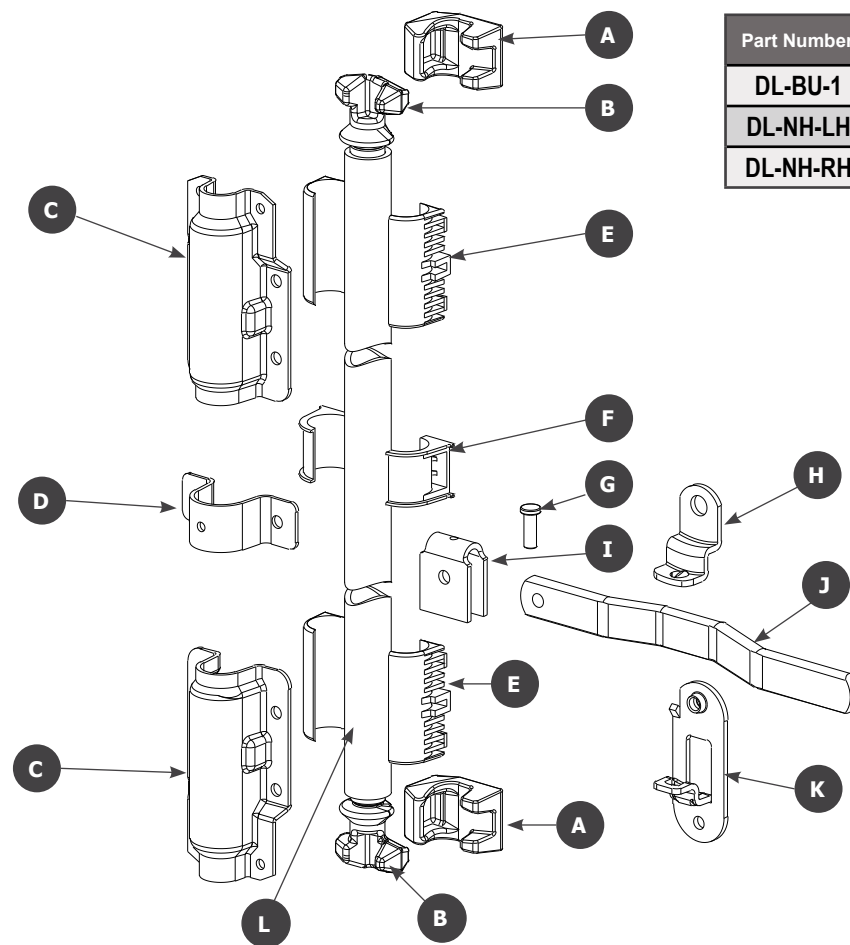


Spring Loaded Holdback	
Part Number	Description
1037902	Door Holdback Spring Loaded



Lock Rods

Part Number	Description
DL-BU-1	Lock Rod Assembly - No Rod
DL-NH-LH	Lock Rod Assembly
DL-NH-RH	Lock Rod Assembly



DL-NH-LH		
Item	Part Number	Description
A	1064	Keeper
B	4141	Cam - Upper
B	4044	Cam - Lower
C	4207	Guide Plate
D	4005	Lock Rod Guide
E	4042PR	Bearing Guide Plate
F	4006PR	Half Bearing Rod Guide
G	4049	Lock Handle Rivet
H	4012	Seal Pin
I	4208	Handle Mount
J	4090	Handle
K	4042PR	Seal Plate
L	1039113	Lock Rod - 1" X 120" GALV

DL-NH-LH		
Item	Part Number	Description
A	1064	Keeper
B	4141	Cam - Upper
B	4044	Cam - Lower
C	4207	Guide Plate
D	4005	Lock Rod Guide
E	4042PR	Bearing Guide Plate
F	4006PR	Half Bearing Rod Guide
G	4049	Lock Handle Rivet
H	4012	Seal Pin
I	4208	Handle Mount
J	4090	Handle
K	4042PR	Seal Plate
L	1039113	Lock Rod - 1" X 120" GALV



FLEETCRAFT Roll-Up Door

- The Fleetcraft Top Seal is made of aluminum and therefore won't leave rust streaks running down the face of the door.
- Medium Density Overlay(MDO) is primed during lamination creating a smoother finish and improved barrier against moisture. Get a longer lasting door panel!
- All doors are traceable by serial number.
- Professionally packed for protection during shipping. Hardware is neatly packed and hekked by weight to account for all necessary components.
- All panel routes and holes are machined by CNC for a complete consistent tight fit. CNC machined panels ensure rivets are installed in a tight straight line.
- Replacement door operator/counterbalance comes boxed to ensure damage free product.

GP Door Panel-Wood

1" Rollers, Tongue In Groove

Part No.	Thickness	Door Size	Bottom Panel	Middle Panels	Top Panel	*Track & Operator Kit
GP90X90WH	3/4"	90"W X 90"H	(1)15"H X 90"W	(4)15"H X 90"W	(1)15"H X 90"W	TRG49000-L
GP90X100WH	3/4"	90"W X 100"H	(1)15"H X 90"W	(5)15"H X 90"W	(1)10"H X 90"W	TRG49000-L
GP98X100WH	3/4"	98"W X 100"H	(1)15"H X 98"W	(5)15"H X 98"W	(1)10"H X 98"W	TRG49000-L
GP98X105WH	3/4"	98"W X 105"H	(1)15"H X 98"W	(5)15"H X 98"W	(1)15"H X 98"W	TRG49000-L
GP98X107WH	3/4"	98"W X 107"H	(1)15"H X 98"W	(5)15"H X 98"W	(1)17"H X 98"W	TRG49000-L

*Doors are kitted with all hardware (hinges, rollers, lock & keeper), less cables, track, operator, and side seals.

*Track and Operator Kits Consist of: Horizontal & Verticle Track with Operator. The kit does NOT include side seals.

GP Door Panel-Wood

2" Rollers, Tongue In Groove

Part No.	Thickness	Door Size	Bottom Panel	Middle Panels	Top Panel	*Track & Operator Kit
GW90X90WH	3/4"	90"W X 90"H	(4)15.5"H X 90"W	(1)11.5"H X 90"W	(1)17"H X 90"W	TRG49020
GW98X107WH	3/4"	98"W X 107"H	(1)15.5"H X 98"W	(5)15.5"H X 98"W	(1)15"H X 98"W	TRG49020

*Doors are kitted with all hardware (hinges, rollers, lock & keeper), less cables, track, operator, and side seals.

*Track and Operator Kits Consist of: Horizontal & Verticle Track with Operator. The kit does NOT include side seals.

Transglobal Inc manufactures a variety of products for the transportation industry including dry-freight wood, 1/4" and 1/2" composite doors, refrigerated doors, replacement parts, ramp door spring systems and many other quality products.

Established in 2003, Transglobal brings over 50 years of roll-up door manufacturing experience for the OEM truck trailer, truck body and aftermarket transportation industry. A philosophy of quality products and unprecedented service is what makes Transglobal a valued and respected partner throughout the transportation industry.

The Transglobal TEAM remains dedicated to manufacturing the highest quality roll-up doors and parts to the transportation industry and looks forward to serving you. Give us a call today to be part of the "Transglobal Advantage".

1" & 2" Roller Door

	Part No.	Roller Size	Thick-ness	Door Size	*1" Track & Operator Kit	*2" Track & Operator Kit	Bottom Panel	Middle Panels	Top Panel
Composite	TRG90X90-HYBRID	1" & 2"	1/4"	90" X 90"	TRG49000	TRG49020	(1)15"H X 90"W	(4)15"H X 90"W	(1)15"H X 90"W
	TRG98X100HYBRID	1" & 2"	1/4"	98" X 100"	TRG49000	TRG49020	(1)15"H X 98"W	(1)10"H X 98"W, (4)15"H X 98"W	(1)15"H X 98"W
	TRG98X107HYBRID	1" & 2"	1/4"	98" X 107"	TRG49000	--	(1)15"H X 98"W	(5)15"H X 98"W	(1)17"H X 98"W
	TRG98X107X.5HYB	1" & 2"	1/2"	98" X 107"	--	TRG-49020COMP98S	(1)15"H X 98"W	(5)15"H X 98"W	(1)17"H X 98"W
Wood	TRG90X90-PPW	1"	3/4"	90" X 90"	TRG49000	--	(1)15"H X 90"W	(4)15"H X 90"W	(1)15"H X 90"W
	TRG90X90-WH-PPW	2"	3/4"	90" X 90"	--	TRG49020	(1)15"H X 90"W	(4)15"H X 90"W	(1)15"H X 90"W
	TRG98X100-PPW	1"	3/4"	98" X 100"	TRG49000	--	(1)15"H X 98"W	(1)10"H X 98"W, (4)15"H X 98"W	(1)15"H X 98"W
	TRG98X107-PPW	1"	3/4"	98" X 107"	TRG49000	--	(1)15"H X 98"W	(5)15"H X 98"W	(1)17"H X 98"W
	TRG98X107-WHPPW	2"	3/4"	98" X 107"	--	TRG49020	(1)15"H X 98"W	(5)15"H X 98"W	(1)17"H X 98"W

*Doors are kitted with all hardware (hinges, rollers, lock & keeper), less cables, track, operator, and side seals.

*Track and Operator Kits Consist of: Horizontal & Verticle Track with Operator. The kit does NOT include side seals.



1" - ROLLER DOOR HARDWARE

Transglobal Rollers

Part No.	Description
61174T	Roller 1" Steel
69162T	Roller Sealed 1" Steel
TG-61174	Door Roller Todco Style
TG-61175XHD	1" Heavy Duty Solid Roller



Transglobal Fixtures & Hinges

Part No.	Description	Image
1026123	Bottom Fixture Kit	
1026431	Top Fixture Kit	

Part No.	Description	Application	Image
TRG61196	Center Hinge	Dry Freight Door	
TG-69035	End Hinge	Dry Freight Door	

Transglobal Lock & Keepers

Part No.	Description
TRG69571	Lock
TRG69572	Keeper
1026128	Lift Handle
025-10403	Pull Strap



Transglobal Cable Drums

Part No.	Description
TRG62547-A213	Cable Drum Roadside
TRG62548-A213	Cable Drum Curbside



2" - ROLLER DOOR HARDWARE

Transglobal Rollers

Part No.	Description
WHT3228	Roller 2" Nylon
TRG3228	Door Roller 2" Nylon
70224T	Steel Roller 2" 3" Shaft
WH2996	2" STL Roller 3" Shaft
1190654	Door Roller Nylon 2"



Transglobal Fixtures & Hinges

Part No.	Description	Image
TRG1371A	Bottom Fixture Kit	
TRG6944	Top Fixture Kit	

Part No.	Description	Application	Image
TRG15	Center Hinge	Dry Freight Door	
TRG1209-A	End Hinge	Dry Freight Door	

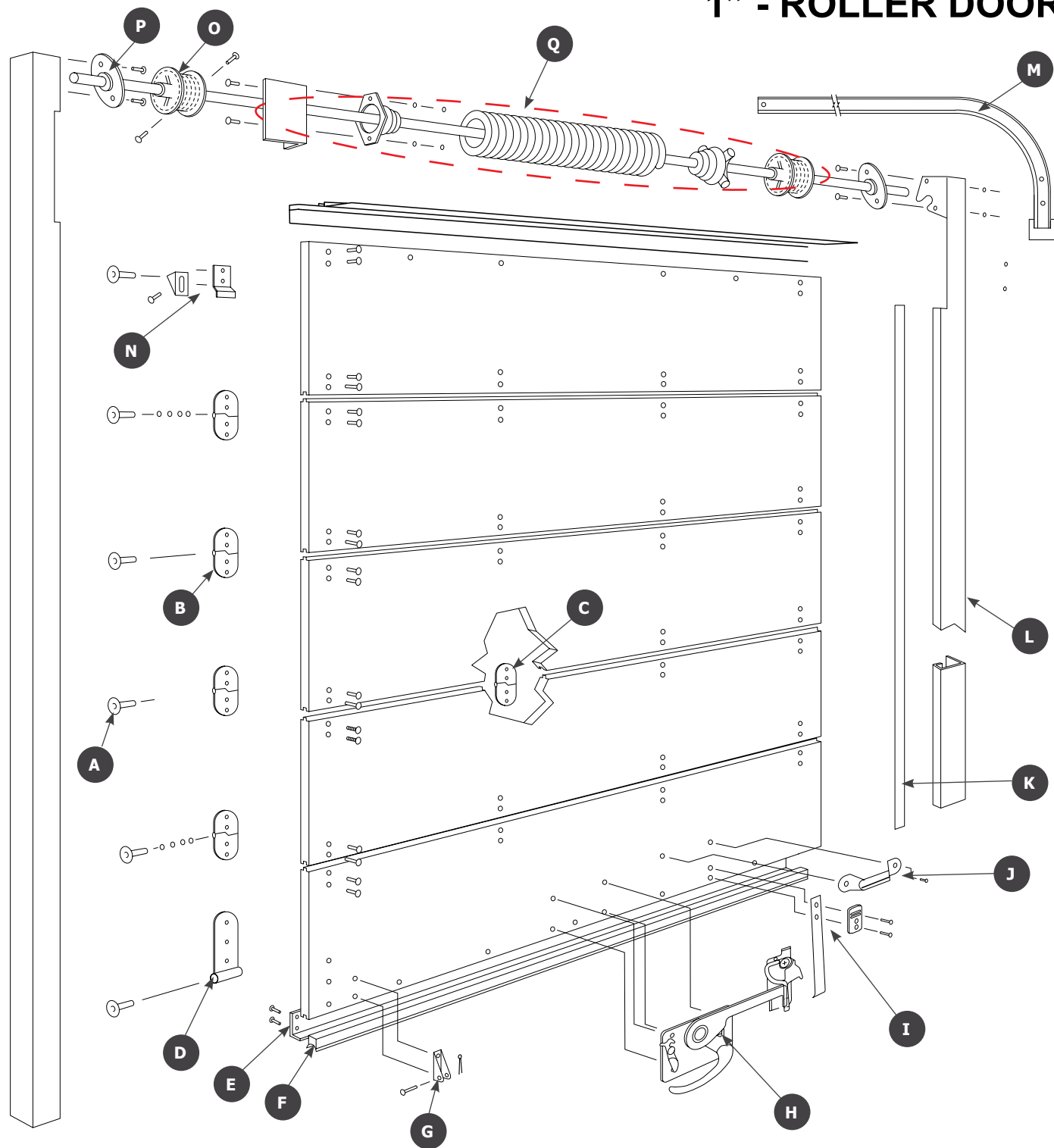
Transglobal Lock & Keepers

Part No.	Description
TRG77	Lock
1027578	Keeper
1027715	Lift Handle
025-10403	Pull Strap





1" - ROLLER DOOR



Item	Description	Item	Description	Item	Description	Item	Description
A	1" Roller	F	Bottom Seal	K	Side Seal	P	Bearing & Bracket Assy
B	End Hinge	G	Cable Anchor Bracket	L	Verticle Track	Q	Counter Balance Assy
C	Center Hinge	H	Lock Assembly	M	Horizontal Track		
D	Bottom Fixture	I	Pull Strap Assembly	N	Top Fixture		
E	Bottom Angle	J	Lift Handle	O	Cable Drum		

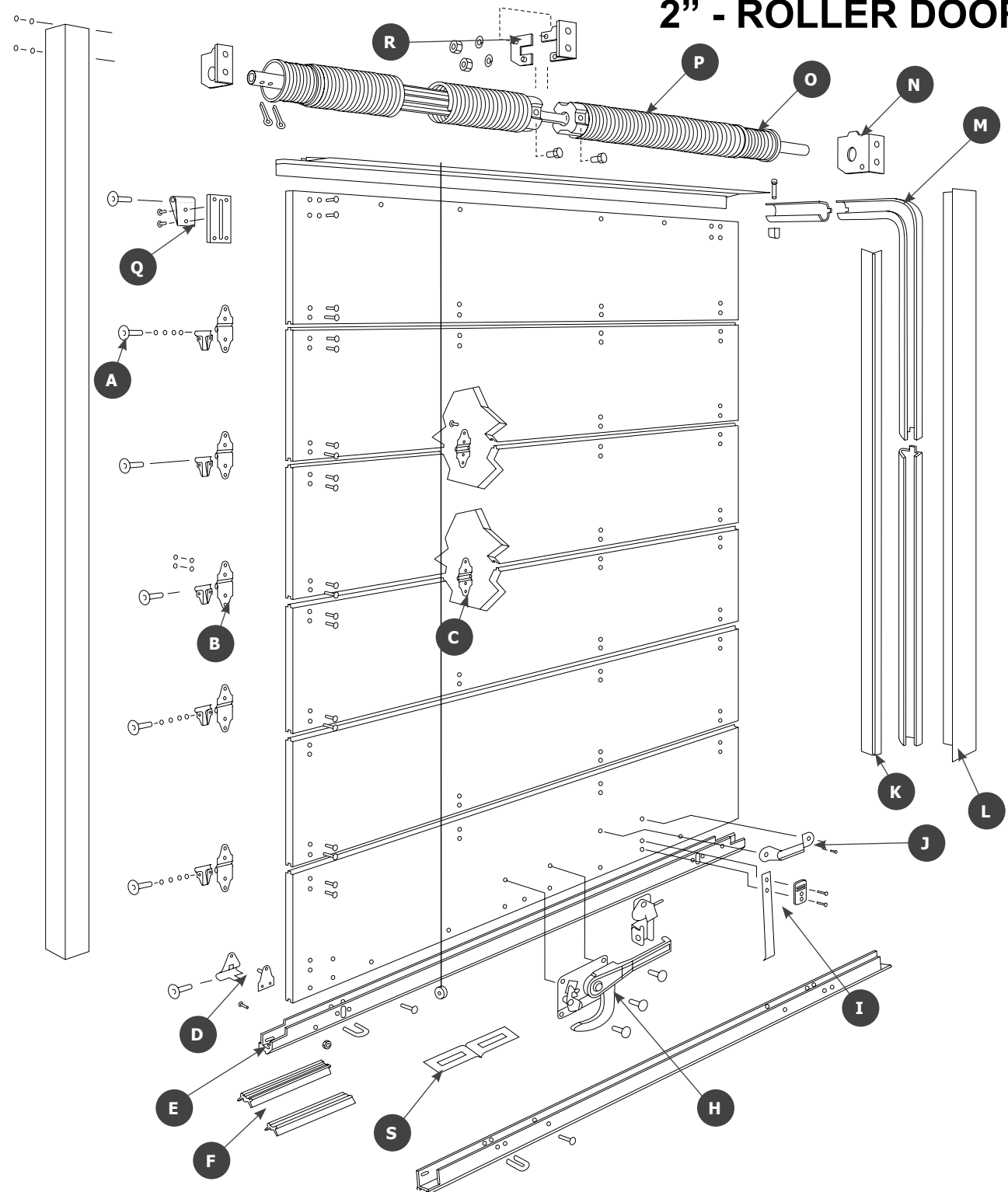


1" Roller Door

Item	Todco Style	Transglobal	Description
A	61174T	TG-61174	1" Roller
B	69035T	TG-69035	End Hinge
C	61196T	TRG61196	Center Hinge
D	61352T	1026123	Bottom Fixture
E	Contact Sales for more info		Bottom Angle
F	Contact Sales for more info		Bottom Seal
G	61204T	1026120	Cable Anchor Bracket
H	69571T	TRG69571	Lock Assembly
I	80844.1152T	--	Pull Strap Assembly
J	61401T	1026128	Lift Handle
K	Contact Sales for more info		Side Seal
L	Contact Sales for more info		Verticle Track
M	Contact Sales for more info		Horizontal Track
N	69432T / 69431T	1026431	Top Fixture
O	59157-4T	TRG2547-A213	Cable Drum Roadside
O	59157-3T	TRG2548-A213	Cable Drum Curbside
P	51038	027-20500	Bearing & Bracket Assy
Q	Contact Sales for more info		Counter Balance Assy



2" - ROLLER DOOR



Item	Description	Item	Description	Item	Description	Item	Description
A	2" Roller	F	Bottom Seals	K	Side Seal	P	Spring Assembly
B	End Hinge	G	Cable Anchor Bracket	L	Verticle Track	Q	Top Closure Bracket Assy
C	Center Hinge	H	Lock Assembly	M	Horizontal Track	R	Balancer Center Bracket
D	Stud Plate/Shaft Cover	I	Pull Strap Assembly	N	Balancer Bracket	S	Keeper Plate
E	Offset Seal Retainer	J	Lift Handle	O	Cable Drum		

Item	Whiting Style	Transglobal	Description
A	WHT2996	TRG2996	2" Roller
B	WHT1209A	TRG1209-A	End Hinge
C	WHT15	TRG15	Center Hinge
D	WHT1371-A	TRG61371A	Stud Plate/Shaft Cover
E	Contact Sales for more info		Offset Seal Retainer
F	Contact Sales for more info		Bottom Seals
G	---	---	Cable Anchor Bracket
H	WHT77	TRG77	Lock Assembly
I	WHT9723-1	025-10403	Pull Strap Assembly
J	WHT1715	1027715	Lift Handle
K	Contact Sales for more info		Side Seal
L	Contact Sales for more info		Verticle Track
M	Contact Sales for more info		Horizontal Track
N	WHT2523	TRG2523	Balancer Bracket
O	WHT2524	TRG2524	Cable Drum
P	Contact Sales for more info		Spring Assembly
Q	WHT6944	TRG6944	Top Closure Bracket Assy
R	WHT2525	TRG2525	Balancer Center Bracket
S	---	---	Keeper Plate
T	WHT2526	TRG2526	Center Lock



Whiting Rollers

Part No.	Description
WHT2996	2" Steel Roller
WHT2996-3	2" Steel Roller - 5" Shaft
WHT3228	2" Nylon Roller



Whiting Fixtures & Hinges

Part No.	Description	Image
WHT1371-A	Bottom Fixture Kit	
WHT6944	Top Fixture Kit	

Part No.	Description	Application	Image
WHT15	Center Hinge	Dry Freight Door	
WHT2915	Center Hinge	Cargo Saver Door	
WHT1209A	End Hinge	Dry Freight Door	
WHT1207	End Hinge, less WHT1208 Cover	Dry Freight Door	

Whiting Cable Drum & Bearings

Part No.	Description	Side	Image
WHT2547	Cable Drum & Bearing Assembly	Curbside	
WHT2548	Cable Drum Bearing Assembly	Roadside	

Whiting Lock & Keepers

Part No.	Description
WHT77KIT	Lock & Keeper Kit
WHT7515	Lock Keeper
WHT2804	Latch Plate



Whiting Pull Straps

Part No.	Description
WHT9723	19" Door Pull Strap
WHT9723-1	32" Door Pull Strap
WHT9723-11	60" Door Pull Strap



WHITING ROLL-UP DOOR ASSEMBLIES

The roll-up door that made Whiting famous

The world's first practical roll-up truck/trailer doors, introduced by Whiting in 1953. Now better than ever! Designed and built by Whiting in their own plants with heavy-duty components manufactured with the finest quality materials, their PREMIUM QUALITY Roll-up Doors are the finest quality dry freight roll-up doors on the market. Parts designed for quick and easy replacement save downtime so Whiting doors cost less to own. With Whiting doors you get World Class Quality...Made in the U.S.A.!

Standard Features:

- Premium grade 7 ply, 3/4" panels manufactured with a medium density overlay (MDO) laminated to smooth hardwood outer veneers of Transportation Core™ plywood, all designed for optimum strength and appearance.
- 2" track and nylon rollers for durability.
- Tongue and groove joint.
- 2 cable balancer with independent spring for each cable.
- Springs treated with rust preventative.
- 4 rows of hinges.
- Patented roller change hinge design.
- Rigid bottom steel U-channel or aluminum channel with replaceable seal.
- Coated steel or stainless steel rivets.
- **Prime painted at factory.**
- Door hardware E-COATED.
- **Pre-Painted White at factory.**



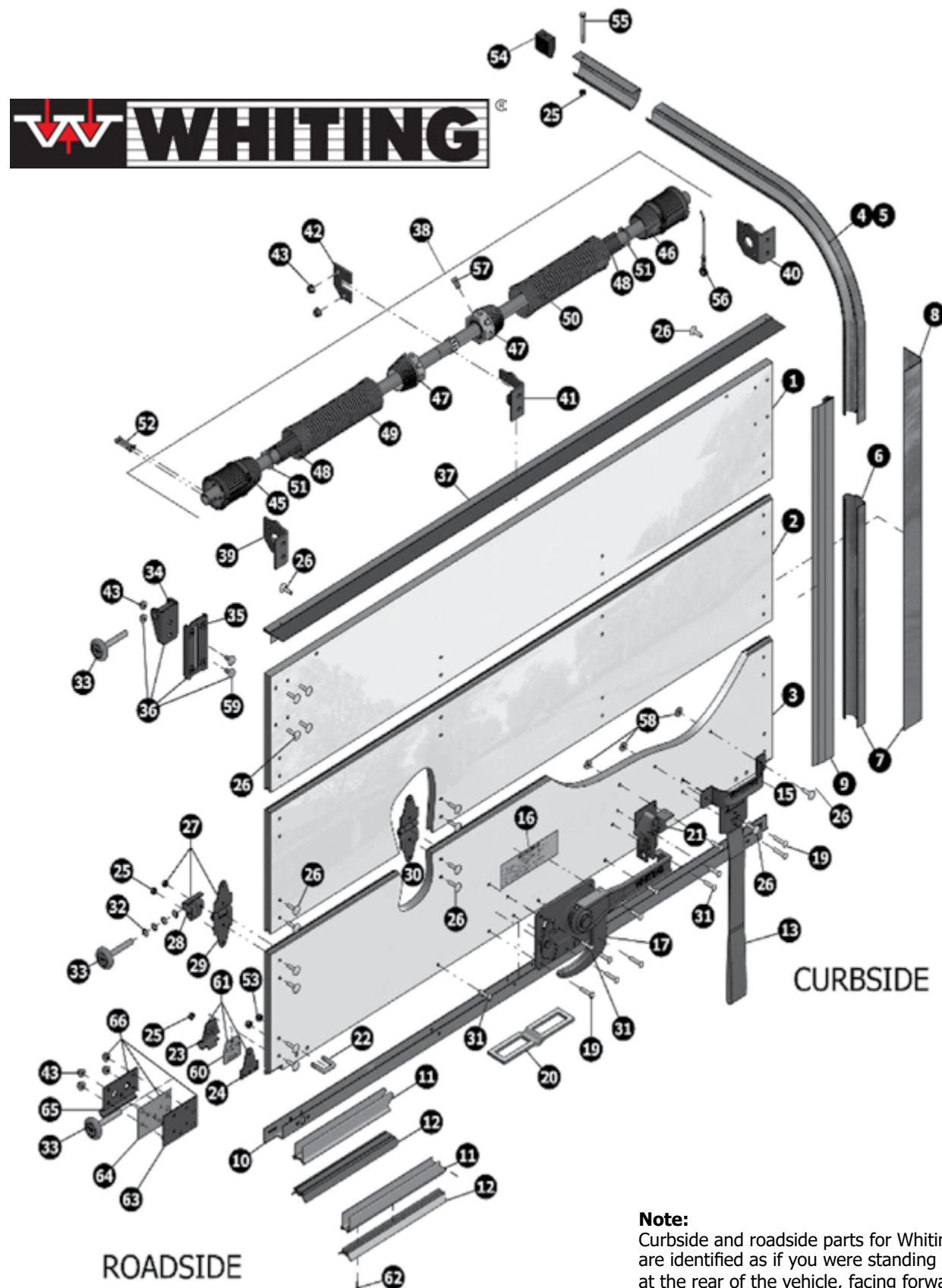
Part No.	Roller Size	Thickness	Door Size	*Track & Operator Kit	Bottom Panel	Middle Panels	Top Panel
WHTDA24202D	1"	3/4"	90" X 90"	TRG49000-L	(1)15"H X 90"W	(1)11-1/2"H X 90"W, (3)15"H X 90"W	(1)18"H X 90"W
WHTDA24203D	1"	3/4"	98" X 100"	TRG49000-L	(1)15"H X 98"W	(2)11"H X 98"W, (3)15"H X 98"W	(1)18"H X 98"W
WHTDA24204D	1"	3/4"	98" X 107"	TRG49000-L	(1)15"H X 98"W	(5)15"H X 98"W	(1)17"H X 98"W
WHTDA24648D	1"	3/4"	90" X 100"	TRG49000-L	(1)15"H X 90"W	(2)11"H X 90"W, (3)15"H X 90"W	(1)18"H X 90"W
WHTDA24205D	2"	3/4"	90" X 90"	TRG49020	(1)15"H X 90"W	(1)11-1/2"H X 90"W, (3)15"H X 90"W	(1)18"H X 90"W
WHTDA24206D	2"	3/4"	98" X 100"	TRG49020	(1)15"H X 98"W	(2)11"H X 98"W, (3)15"H X 98"W	(1)18"H X 98"W
WHTDA24207D	2"	3/4"	98" X 107"	TRG49020	(1)15"H X 98"W	(5)15"H X 98"W	(1)17"H X 98"W
WHTDA24649D	2"	3/4"	90" X 100"	TRG49020	(1)15"H X 90"W	(2)11"H X 90"W, (3)15"H X 90"W	(1)18"H X 90"W

*Doors are kitted with all hardware (hinges, rollers, lock & keeper), less cables, track, operator, and side seals.
 *Track and Operator Kits Consist of: Horizontal & Vertical Track with Operator. The kit does NOT include side seals.



WHITING PREMIUM 3/4" DRY FREIGHT DOOR ASSEMBLY

WHITING PREMIUM 3/4" DRY FREIGHT DOOR ASSEMBLY



Note:
Curbside and roadside parts for Whiting doors are identified as if you were standing outside, at the rear of the vehicle, facing forward.

IND	Part Number	Description
2	Call Sales	Intermediate Panel - Plastic - Ship Lap Joint (Specify Length & Width)
	Call Sales	Intermediate Panel - Plastic - Tongue & Groove Joint (Specify Length & Width)
	Call Sales	Other Panel Types Available To Order
3	Call Sales	Bottom Panel Plain - Plastic - Ship Lap Joint (Specify Length & Width)
	Call Sales	Bottom Panel Plain - Plastic - Tongue & Groove Joint (Specify Length & Width)
	Call Sales	Bottom Panel Plain - Plastic - Tongue & Groove Joint With Cutout And Seal (Specify Length & Width)
4	Call Sales	Bottom Panel Plain - Aluminum Clad - Tongue & Groove Joint With Cutout And Seal (Specify Length & Width)
	Call Sales	2" Horizontal Track, Curbside, 8" Radius, 130" Long
	Call Sales	2" Horizontal Track, Roadside, 8" Radius, 130" Long
6	Call Sales	2" Vertical Track, 130" Long (Roadside Or Curbside)
7	Call Sales	Vertical Track And Mounting Angle Assembly - Curbside (For Up To 100" Door)
	Call Sales	Vertical Track And Mounting Angle Assembly - Curbside (For Up To 107" Door)
	Call Sales	Vertical Track And Mounting Angle Assembly - Roadside (For Up To 100" Door)
	Call Sales	Vertical Track And Mounting Angle Assembly - Roadside (For Up To 107" Door)
8	WHT61	Mounting Angle (Specify Length & Size)
9	WHT5423	Side Seal, 110" Long
10	WHT18-3X96	Bottom U-Channel, 96"
	WHT1801	Bottom U Channel Seal Retainer - Aluminum
12	WHT1676X96	Bottom Seal, 96" Long
13	WHT9723	Pull Down Strap (Wh9723 = 19" Long, Wh9723-1 = 32" Long Wh9723-11 = 60" Long)
15	WHT1715	Grab Handle
16	WHT232323	Do Not Remove Decal
17	WHT77	Lock Assembly, No Keeper
19	WHT10-1002-9	Rivet, 1/4" X 1-5/16", 1/2" Dia. Head
20	WHT2804	Latch Plate
21	WHT7515	Handle Keeper
22	WHT70-13	Cable Anchor, 1-1/4" U-Bolt
23	WHT1021	Bottom Roller Shaft Cover
24	WHT1370	Bottom Roller Bracket Stud Plate
25	WHT10-1022-1	Keq Nut, 1/4-20
26	WHT10-1002-3	Rivet, 1/4 X 1, 3/4" Dia. Head, Cadmium Plated Steel.
27	WHT1209A	Roller Hinge Complete With Cover Clamp And Nuts
28	WHT1208	Roller Hinge Cover Clamp
29	WHT1207	Roller Hinge
30	WHT15	Center Hinge
31	WHT10-1002-11	Rivet, 1/4" X 1-1/8", 1/2" Dia. Head
32	WHT6	Spacer Washer
33	WHT3228	2" Nylon Roller (Part Number 1190654 Can Be Substituted)
	WHT2996	2" Steel Roller (Part Number 1190664 Can Be Substituted)
34	WHT6943	Top Closure Slide
35	WHT1264	Top Closure Base With Nuts And Bolts
36	WHT6944	Top Closure Assembly Complete
37	Call Sales	Top Seal, 98" Long

IND	Part Number	Description
38	WHT2376	Balancer Assembly, 87" Or 96"
39	WHT2524	Balancer Bracket - Roadside
40	WHT2523	Balancer Bracket - Curbside
41	WHT2525	Balancer Bracket, Center
42	WHT2526	Clamp Assembly
43	WHT10-1063-1	Self Locking Nut, 5/16"-18
44	WHT2528	Balancer Shaft, 96" Long
45	WHT2547	Cable Drum And Bearing Assembly - Roadside
46	WHT2548	Cable Drum And Bearing Assembly - Curbside
47	WHT2518	Winding Cone
48	WHT2471	Spring Spacer
49	Call Sales	Torsion Spring - Roadside, Lh Wound
50	Call Sales	Torsion Spring - Curbside, Rh Wound
51	WHT2522	Thrust Washer
52	WHT10-1009-8	Cotter Pin (3/16" X 1-1/2")
53	WHT10-1033-2	Torque Nut (5/16"-18)
54	WHT83	2" Track Stop Bumper
55	WHT10-1010-3	Bolt, 1/4"-20 X 2-1/2"
56	WHT1-xx	1/8" Stainless Steel Cable With 5/16" Eye. (See Replacement Cables)
57	WHT2699	Set Screw 3/8-16 X 5/8
58	WHT10-1006-1	Washer, 1/4 X 3/4
59	WHT2370	Bolt, 5/16 X 5/8
60	WHT5726	Wear Plate, For Doors With Bottom Seal
61	WHT1371-A	Complete Bottom Bracket With Cover
62	WHT10-1068-1	Drive Screw (13 X 3/4)
63	WHT5509	Stud Plate
64	WHT5504	Wear Plate
65	WHT5502	Bottom Roller Clamp
66	WHT5600	Bottom Roller Bracket Assembly

Roll-Up Doors | Whiting 3/4" Dry Freight

Roll-Up Doors | Whiting 3/4" Dry Freight

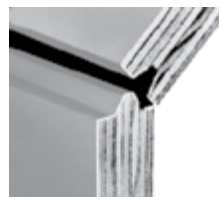


WHITING ROLL-UP DOOR PANELS

Standard Features: Premium grade 7 ply, 3/4" panels manufactured with a medium density overlay (MDO), laminated to smooth hardwood outer veneers of Transportation Core™ plywood, all designed for optimum strength and appearance. Tongue-and-groove type or ship lap joint. Panels are prime-painted and plastic coated.

Whiting Intermediate Panels

Part No.	Type	Description
WHT242-12X98	Ship Lap	12" High, 98" Wide, 3/4", Primed
WHT242-15X98	Ship Lap	15" High, 98" Wide, 3/4", Primed
WHT342-11X98	Tongue & Groove	11" High, 98" Wide, 3/4", Primed
WHT342-11.5X98	Tongue & Groove	11-1/2" High, 98" Wide, 3/4", Primed
WHT342-12X98	Tongue & Groove	12" High, 98" Wide, 3/4", Primed
WHT342-15X98	Tongue & Groove	15" High, 98" Wide, 3/4", Primed



Whiting Bottom Panels

Part No.	Joint	Description
WHT243-15X98	Ship Lap	15" High, 98" Wide, 3/4", Primed, No Channel Or Seal.
WHT343-11.5X98	Ship Lap	11-1/2" High, 98" Wide, 3/4", Primed, No Channel Or Seal.
WHT345-2-15X98	Tongue & Groove	15" High, 96" Wide, 3/4", Primed, With Steel U-Channel, No Channel Or Seal.
WHT345-3-11X98	Tongue & Groove	11" High, 98" Wide, 3/4", Primed, TWith Aluminum Channel And Seal.
WHT345-3-12X98	Tongue & Groove	12" High, 98" Wide, 3/4", Primed, With Aluminum Channel And Seal.
WHT345-3-15X98	Tongue & Groove	15" High, 98" Wide, 3/4", Primed, With Aluminum Channel And Seal.
WHT353-15X98	Tongue & Groove	11" High, 98" Wide, 3/4", Aluminum Clad, White, No Channel Or Seal.

Whiting Door Operator

Part No.	Application	Brackets		
		Curbside	Center	Roadside
WHT2376-87	For 96" wide trailers	WHT2523	WHT2525 & WHT2526	WHT2524
WHT2376-93H	For 112" wide trailers	WHT2523	WHT2525 & WHT2526	WHT2524
WHT2376-96	For 102" wide trailers	WHT2523	WHT2525 & WHT2526	WHT2524
WHT2528	Operator Shaft - 96"			



TODCO Roll-Up Door Cables

All door cables are 7 x 19 preformed galvanized (GA) or stainless steel aircraft cable. Fittings are all aluminum. **Cables sold in pairs only.** Each pair tagged with the Fleetcraft Part Number.



Part Number	Length Inches	Material	Eye Size	Color Code
1014245	110"	Stainless	5/16"	Red
1014245GA	110"	Galvanized	5/16"	Gray
1014246	115"	Stainless	5/16"	Blue
1014246GA	115"	Galvanized	5/16"	Black
1014247	120"	Stainless	1/4"	Orange
1014259GA	125"	Galvanized	1/4"	Blue
1014248	130"	Stainless	5/16"	Yellow
1014248GA	130"	Galvanized	5/16"	Green
1014249	130"	Stainless	1/4"	Yellow

Whiting Roll-Up Door Cables

Note: The spools on Whiting cables with 5/16" eyes are beveled on one side for ease of installation on U-bolt style cable anchors. Whiting cables with 7/16" I.D. diameter spools are for attachment to bottom roller shafts.



Part Number	Length Inches	Material	Eye Size	Color Code
1014250	105"	Stainless	7/16"	Yellow
1014250GA	105"	Galvanized	7/16"	Yellow
1014252	110"	Stainless	7/16"	Brown
1014252GA	110"	Galvanized	7/16"	Brown
1014255	115"	Stainless	7/16"	Green
1014255GA	115"	Galvanized	7/16"	Green
1014256	115"	Stainless	5/16"	Green
1014256GA	115"	Galvanized	5/16"	Green
1014251	125"	Stainless	5/16"	White
1014251GA	125"	Galvanized	5/16"	White
1014253	125"	Stainless	7/16"	Red
1014253GA	125"	Galvanized	7/16"	Red
1014254	130"	Stainless	7/16"	N/C
1014254GA	130"	Galvanized	7/16"	N/C
1014257	135"	Stainless	7/16"	Blue



Standard Feature:

Todco is committed to continually pioneering overhead door technology.

A perfect example is the use of premium grade wood in the Transportation Core™, a 3/4" 7-ply, medium density overlay panel. It starts with a premium-grade hardwood outer veneer that virtually eliminates wood grain "telegraphing" for a smoother, more uniform look.

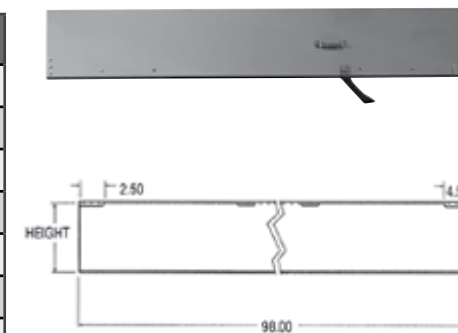
Other Features Available:

Four-knuckled hinges, stainless steel rivets, self-adjusting springless maximum security locks, quiet nylon tube hinges, space-saver 1" side clearance, rust-inhibiting e-coating, pre-lubed sealed rollers, and recessed hardware.



TODCO Intermediate Panels

Part No.	Nominal Size
29014-11X98	11" high, 98" wide, 3/4", plastic covered.
29014-11.5X98	11.5" high, 98" wide, 3/4", plastic covered.
29014-12X98	12" high, 98" wide, 3/4", plastic covered.
29014-13X98	13" high, 98" wide, 3/4", plastic covered.
29014-15X98	15" high, 98" wide, 3/4", plastic covered.
29014-16X98	16" high, 98" wide, 3/4", plastic covered.
29014-18X98	18" high, 98" wide, 3/4", plastic covered.
29018-11X98	11" high, 98" wide, 3/4", white, aluminum covered.
29018-12X98	12" high, 98" wide, 3/4", white, aluminum covered.
29018-13X98	13" high, 98" wide, 3/4", white, aluminum covered.
29018-15X98	15" high, 98" wide, 3/4", white, aluminum covered.



TODCO Bottom Panels

Part No.	Nominal Size
29016-1-11X98	11" high, 98" wide, 3/4", plastic covered. (Also available in 90" wide.)
29016-1-12X98	12" high, 98" wide, 3/4", plastic covered. (Also available in 93" wide.)
29016-1-13X98	13" high, 98" wide, 3/4", plastic covered.
29016-1-15X98	15" high, 98" wide, 3/4", plastic covered. (Also available in 93" wide.)
29016-1-16X98	16" high, 98" wide, 3/4", plastic covered.
29016-1-18X98	18" high, 98" wide, 3/4", plastic covered.
29020-11X98	11" high, 98" wide, 3/4", white, aluminum covered.
29020-12X98	12" high, 98" wide, 3/4", white, aluminum covered.
29020-13X98	13" high, 98" wide, 3/4", white, aluminum covered.
29020-15X98	15" high, 98" wide, 3/4", white, aluminum covered.

TODCO Cable Drums

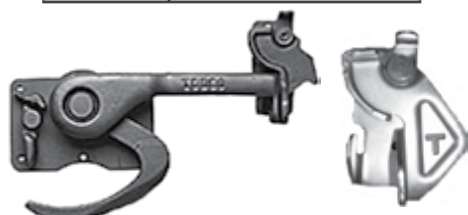
Part No.	Description	Length	Side	Hardware	Image
9129-1T	Cable Drum	Up To 105" Cable	Curbside	3/8"Nc X 7/8" Hex Head Set Screw	
59129-2T	Cable Drum	Up To 105" Cable	Roadside	3/8"Nc X 7/8" Hex Head Set Screw	
59157-3T	Cable Drum	105" To 120" Cable	Curbside	3/8"Nc X 7/8" Hex Head Set Screw	
59157-4T	Cable Drum	105" To 120" Cable	Roadside	3/8"Nc X 7/8" Hex Head Set Screw	

TODCO Lock & Keeper

Part No.	Description
69571T	Maximum Security Lock
69572T	Keeper Assembly
70057T	Lock Shim, 3/8"
70058T	Keeper Shim, 3/8"

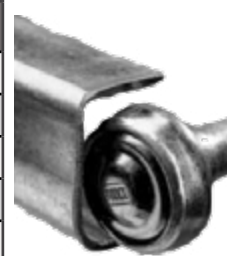
Part No.	Description
61401T	Lift Handle - Dry & Insulated Doors

Part No.	Description
80844-1T	Pull Strap - 50' Roll
69832T	Pull Strap Retainer



TODCO Rollers & Bearings

Part No.	Description
61174T	1" Steel Roller
69162T	1" Steel Roller Sealed
70305T	1" Steel Roller Precision
TG-61175XHD	1" HD Solid Roller
TG-61174	1" Steel Roller



69162T

Part No.	Description
51038T	Bearing Assembly



TODCO Fixtures & Hinges

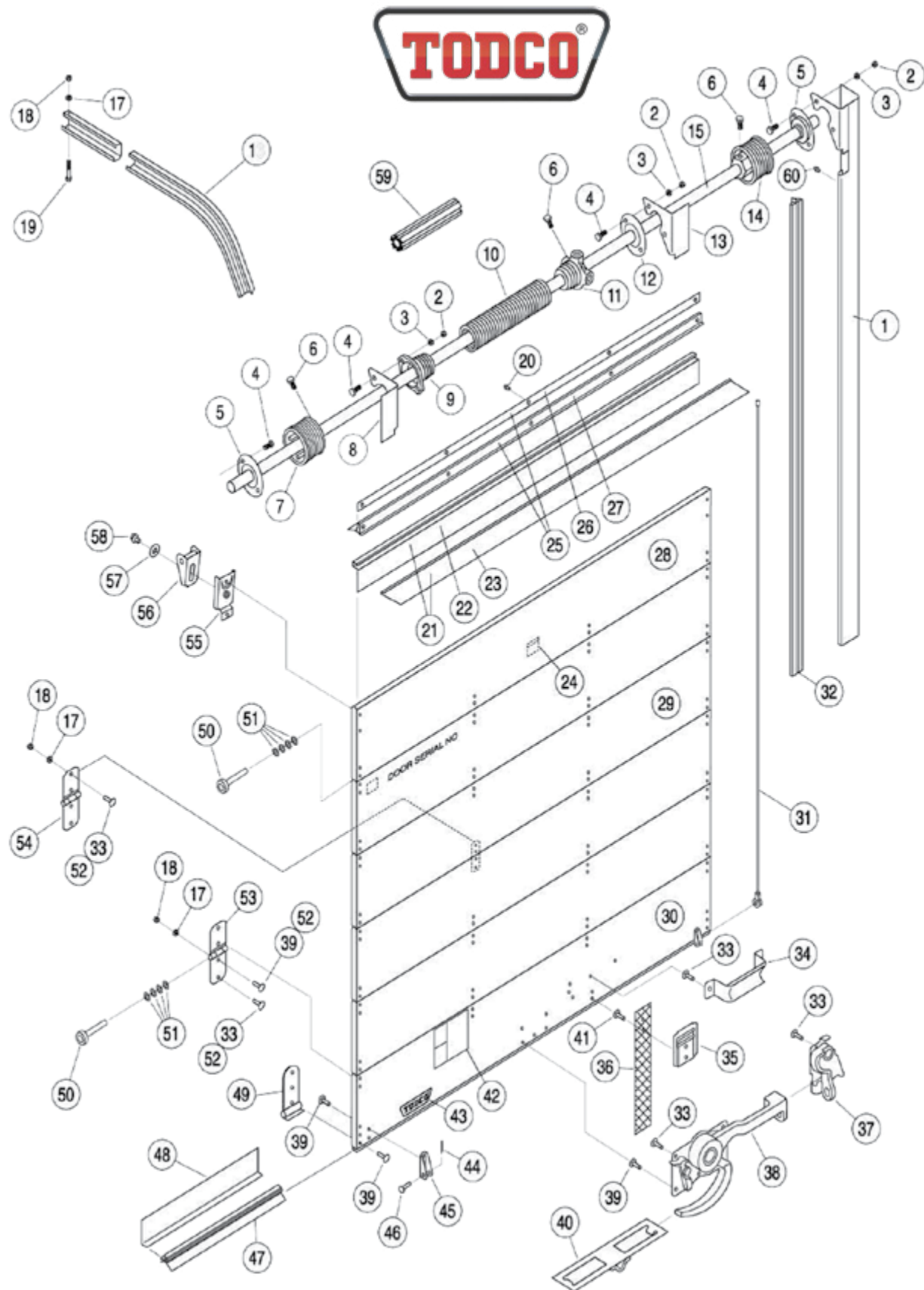
Part No.	Description	Application	Image
61352T	Bottom Fixture	Dry Freight Door	
Call Sales	Bottom Fixture	Curbside	
Call Sales	Bottom Fixture	Curbside	
70125T	Top Half Roller Cover for 69986-1T/69986-2T	Cover	
69433T	Top Fixture Assembly	Dry Freight Door	
69431T	Top Fixture Slide	Dry Freight Door	
69432T	Top Fixture Base	Dry Freight Door	

Part No.	Description	Application	Image
61196T	Center Hinge	Dry Freight Door	
		Dry Freight Door	
69035T	End Hinge	Dry Freight Door	
70311T	End Hinge - 2 Piece	Dry Freight Door	
70236T	End Hinge - Heavy Duty	Dry Freight Door	



TODCO 3/4" Door Assy

TODCO 3/4" DOOR ASSEMBLY



IND	Part Number	Description
1	Call Sales	Vertical Track Assembly - L.H. (Curbside)
	Call Sales	Vertical Track Assembly - R.H. (Roadside)
2	Call Sales	Hex Nut - 5/16" NC
3	Call Sales	Lock Washer - 5/16"
4	Call Sales	Hex Head Bolt - 5/16" NC x 7/8"
5	51038T	Bearing Assembly
6	Call Sales	Hex Head Set Screw - 3/8" NC x 7/8"
	59129-2T	Cable Drum (Alum)- R.H. (Roadside) to 105" Dr. Hgt.
7	59157-4T	Cable Drum (Alum)- R.H. (Roadside) 105" to 120" Dr. Hgt.
	51036-2T	Spring Anchor Bracket
9	Call Sales	Spring Anchor Plug 1-3/4" I.D. Spring
	Call Sales	Spring Anchor Plug 2-1/2" I.D. Spring
10	Call Sales	Spring - 1-3/4" I.D.
	Call Sales	Spring - 2-1/2" I.D.
11	Call Sales	Spring Winding Plug 1-3/4" I.D. Spring
	Call Sales	Spring Winding Plug 2-1/2" I.D. Spring
12	Call Sales	Bearing Assembly - Support Bracket
13	51036-1T	Support Bracket - L.H. (Curbside)
14	59129-1T	Cable Drum - (Alum) L.H. (Curbside) to 105" Door Hgt.
	59157-3T	Cable Drum - (Alum) L.H. (Curbside) 105" to 120" Dr. Hgt.
15	Call Sales	Counterbalance Shaft
16	Call Sales	Horizontal Track - L.H. (Curbside)
	Call Sales	Horizontal Track - R.H. (Roadside)
17	Call Sales	Lock Washer - 1/4" NC
18	Call Sales	Hex Nut - 1/4" NC
19	Call Sales	Hex Head Bolt - 1/4" NC x 1-3/4"
20	Call Sales	Drive Rivet 3/16" Dia. X 15/32" LG.
21	Call Sales	Head Seal Assembly (Panel Mounted)
22	Call Sales	Retainer - Head Seal (Panel Mounted)
23	Call Sales	Head Seal (Panel Mounted)
24	Call Sales	Warning Sticker - Counterbalance
25	Call Sales	Head Seal Assembly (Header Mounted)
26	Call Sales	Retainer - Head Seal (Header Mounted)
27	Call Sales	Head Seal (Header Mounted)
28	Call Sales	Top Panel - ToughShell No Hardware
	Call Sales	Top Panel - Aluminum Covered
29	Call Sales	Intermediate Panel - ToughShell Coated - No Hardware
	Call Sales	Intermediate Panel - Aluminum Covered - No Hardware
30	Call Sales	Bottom Panel - ToughShell Coated. **Additional sizes needed
	Call Sales	Bottom Panel - Aluminum Covered. **Additional sizes needed
31	TOD51044	Cable Assembly - 110" LG. - to 100" Door Height
	Call Sales	Cable Assembly - 115" LG. 100" to 105" Door Height
	Call Sales	Cable Assembly - 130" LG. 105" to 120" Door Height
32	Call Sales	Side Seal - Pair
33	Call Sales	Rivet - 1" LG.
34	61401T	Lift Handle
35	69832T	Pull Strap Retainer
36	Call Sales	Pull Strap
37	69572T	Keeper Assembly
38	69571T	Maximum Security Lock Assembly - Standard
	70223T	Maximum Security Lock Assembly - Offset Lever Arm

IND	Part Number	Description
39	89210-0036	Rivet - 1-1/8" LG.
40	70093T	Catch Box
41	89210-0044	Rivet - 1-3/8" LG.
42	Call Sales	Warning Sticker - Safety Notice
43	Call Sales	Name Plate
44	Call Sales	Cotter Pin - 3/32" Dia.
45	61204T	Cable Anchor Bracket
46	61026T	Cable Anchor Pin
47	Call Sales	Bottom Seal
48	Call Sales	Bottom Angle
49	61352T	Bottom Fixture
50	61174T	Roller
51	80020T	Spacer Washer-Roller
52	80015-0040	Step Bolt - 1/4" NC x 1-1/4"
53	69035T	End Hinge
54	61196T	Center Hinge
55	69432T	Base - Adjustable Top Fixture
56	69431T	Slide - Adjustable Top Fixture
57	Call Sales	Flatwasher - 3/8"
58	TOD89049	E-Lok Bolt - 3/8" NC
59	Call Sales	Filler Plug - 2-1/2" I.D. Spring
60	Call Sales	Drive Rivet - 3/16" Dia. x 9/32" LG.

Todco identifies right hand and left hand parts as if **you are standing inside the trailer facing towards the rear**. This pertains only to Todco.

COUNTERBALANCE ASSEMBLIES

Item	Part No.	Description
15A	59292T	Counterbalance Assembly, Outside Cables, 98" Shaft
15B	59174-90T	Counterbalance Assembly, Outside Cables, 90" Shaft
15C	59209T	Counterbalance Assembly, Shallow Header, 96" Shaft, Up To 105" Door Height.
15D	59220T	Counterbalance Assembly, Shallow Header, 96" Shaft, 105"-112" Door Height.

Every TODCO counterbalance assembly has been manufactured to meet a custom door specification. **TO HELP ENSURE THAT YOU RECEIVE THE CORRECT REPLACEMENT PART OR ASSEMBLY, PLEASE PROVIDE THE DOOR SERIAL NUMBER.**

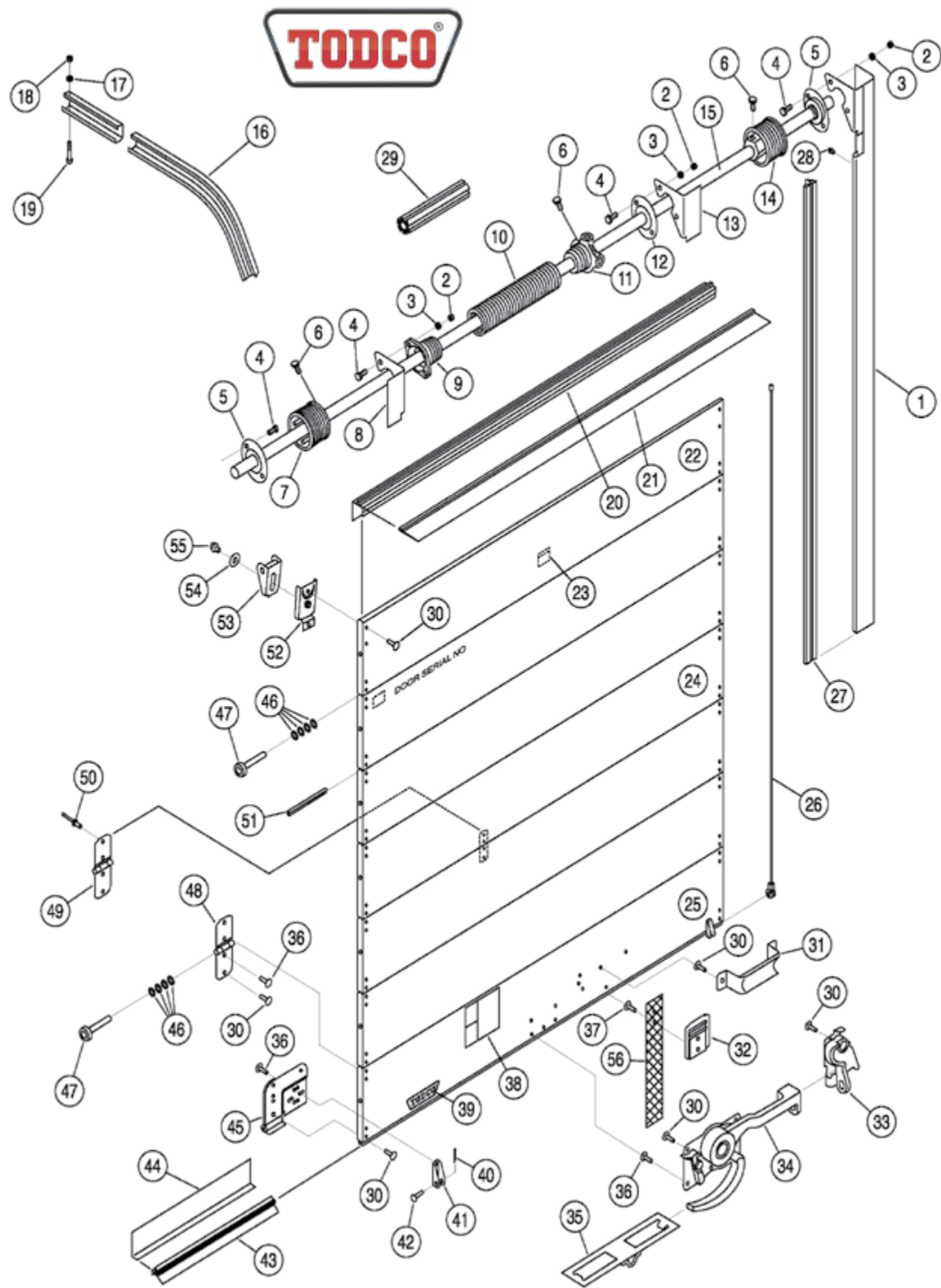
This can be found on the metal tag attached to the inside upper right-hand corner of the door.

If the serial number is unavailable, we must have the following information:

- 1) Inside diameter (I.D.) of the torsion spring.
- 2) Length of the torsion spring.
- 3) Number of coils within 10" of the torsion spring.
- 4) Length of the shaft.
- 5) Part number on each of the 2 cable drums.



TODCO 1 1/8" POLAR GUARD FIBERGLASS INSULATED DOOR ASSEMBLY



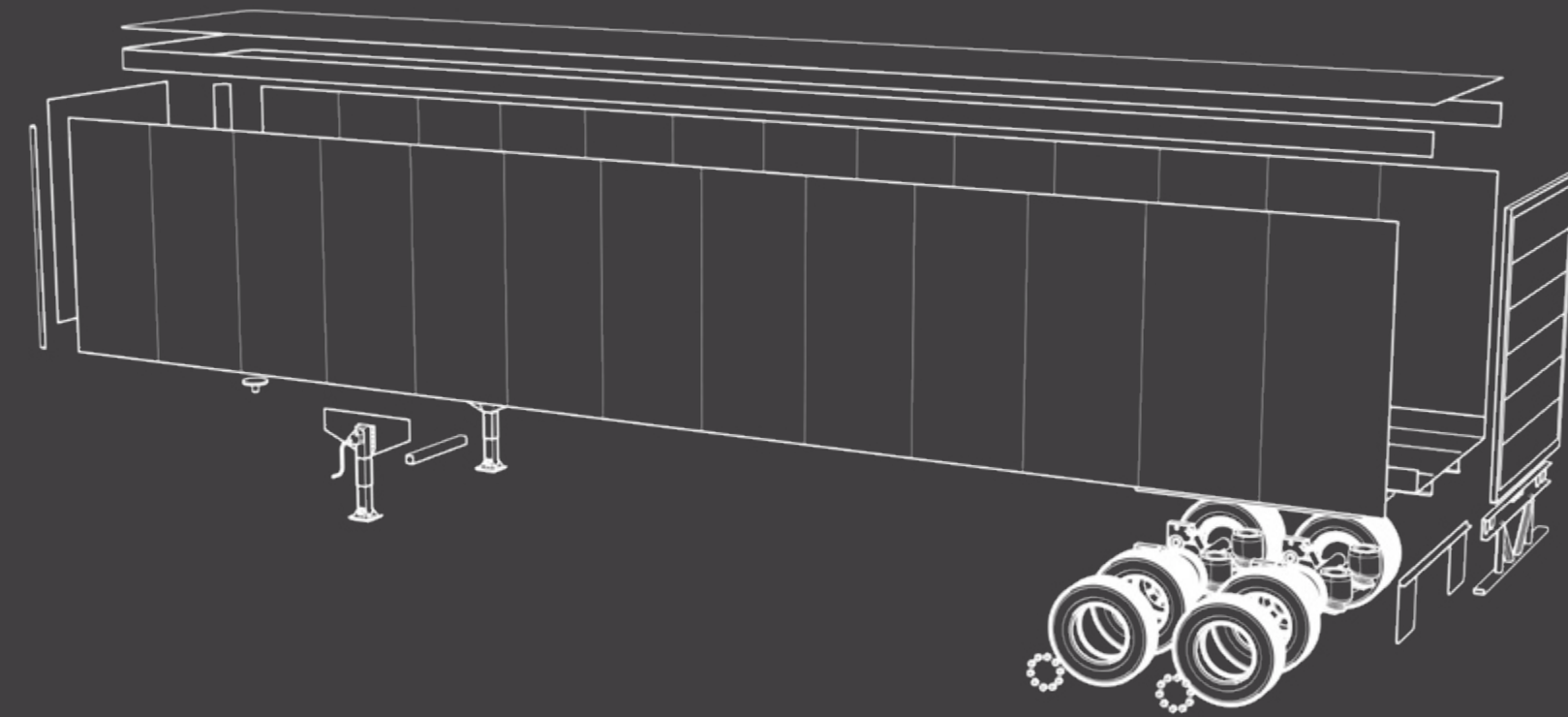
TODCO 1-1/8" Door Assy

IND	Part Number	Description
1	Call Sales	Vertical Track Assembly-L.H. (Curbside)
	Call Sales	Vertical Track Assembly-R.H. (Roadside)
2	Call Sales	Hex Nut - 5/16" NC
3	Call Sales	Lock Washer - 5/16"
4	Call Sales	Hex Head Bolt - 5/16" NC X 7/8"
5	51038T	Bearing Assembly
6	Call Sales	Hex Head Set Screw 3/8" NC X 7/8"
	59129-2T	Cable Drum (Alum) - R.H. (Roadside) To 105" Dr. Hgt.
7	59157-4T	Cable Drum (Alum) - R.H. (Roadside) 105" To 120" Dr. Hgt.
	51036-2T	Spring Anchor Bracket
9	Call Sales	Spring Anchor Plug 1-3/4" I.D. Spring
	Call Sales	Spring Anchor Plug 2-1/2" I.D. Spring
10	Call Sales	Spring- 1-3/4" I.D.
	Call Sales	Spring- 2-1/2" I.D.
11	Call Sales	Spring Winding Plug 1-3/4" I.D. Spring
	Call Sales	Spring Winding Plug 2-1/2" I.D. Spring
12	Call Sales	Bearing Assembly Support Bracket
13	51036-1T	Support Bracket -L.H. - (Curbside)
14	59129-1T	Cable Drum (Alum) - L.H. (Curbside) To 105" Door Hgt.
	59157-3T	Cable Drum (Alum) - L.H. (Curbside) 105" To 120" Dr. Hgt.
15	Call Sales	Counterbalance Shaft
16	49702-1T	Horizontal Track - L.H.(Curbside)
	49702-2T	Horizontal Track - R.H.(Roadside)
17	Call Sales	Lock Washer - 1/4" NC
18	Call Sales	Hex Nut - 1/4" NC
19	Call Sales	Hex Head Bolt - 1/4" NC x 1-3/4"
20	Call Sales	Top Cap
21	69718	Head Seal - Panel Mounted
22	Call Sales	Top Panel w/ Top Cap (Specify Panel Height & Weight)
23	Call Sales	Warning Sticker - C/B
24	Call Sales	Intermediate Panel - 11" (Specify Panel Length)
	Call Sales	Intermediate Panel - 15" (Specify Panel Length)
25	Call Sales	Bottom Panel - 11" (With Hardware, No Lock)
25	Call Sales	Bottom Panel - 15" (With Hardware, No Lock)
	TOD51044	Cable Assembly - 110" Long (To 100" Door Height)
26	Call Sales	Cable Assembly - 115" Long (100" To 105" Door Height)
	Call Sales	Cable Assembly -130" Long (105" TO 120" Door Height)
27	61390	Side Seal - Pair
28	Call Sales	Rivet 3/16" Dia. X 9/32"
29	Call Sales	Filler Plug - 2-1/2" I.D. Spring
30	Call Sales	Rivet - 1-3/8" Stainless Steel
	80015-0052	Step Bolt -1/4" NC X 1-5/8"
31	61401T	Lift Handle
32	69832T	Pull Strap Retainer
33	69572T	Keeper Assembly
34	69571T	Maximum Security Lock
	70223T	Maximum Security Lock Offset Lever Arm
35	70093T	Catch Box
36	Call Sales	Rivet 1-1/2" Stainless Steel
37	Call Sales	Rivet 1-5/8" Stainless Steel

IND	Part Number	Description
38	Call Sales	Warning Sticker - Safety Notice
39	Call Sales	Name Plate
40	Call Sales	Cotter Pin - 3/32" Dia.
41	61204T	Cable Anchor Bracket
42	61026T	Cable Anchor Pin
43	70084T	Bottom Seal
44	69110	Bottom Angle
45	70082-2T	Bottom Fixture
	70082-1T	Bottom Fixture
46	80020T	Space Washer - Roller
47	69162T	Roller - Sealed
48	69035T	End Hinge
49	61196T	Center Hinge
50	Call Sales	Blind Rivet-1/4" Dia. X 1/4"
51	Call Sales	Joint Seal
52	69432T	Base - Adjustable Top Fixture
53	69431T	Slide - Adjustable Top Fixture
54	Call Sales	Flatwasher - 3/8"
55	TOD89049	E-LOK Bolt - 3/8" NC
56	Call Sales	Pull Strap - 30" Straight Standard - (44" LG.)



NEWLIFE
HEAVY DUTY TRAILER PARTS



Safety & Spray
Control



Holders/Manifest Boxes

Part Number	Description	Length	Height	Material	Color	
PHP16-802	Round Document Holder	9"	2.5"	Plastic	Gray	A
TRL97960	Oval Surface Mount Document Holder	6"	2.25"	Plastic	Gray	B
80SM97	Placard Holder, Full Holder	12.5"	14.125"	Aluminum	Silver	C
1011535	Manifest Box	13"	8"	Aluminum	Silver	D
JK300	Manifest Box	5.25"	3.5"	Aluminum	Silver	E
JK500	Manifest Box	16"	1.5"	Plastic	Gray	F
GTMGT-1002WHT	Manifest Box	13"	8"	Plastic	White	G



A



B



C



D



E



F



G

Placards

Part Number	Description	Length	Height	
GT-1101	Placard Holder w/ Back Plate	14.375"	14"	A
126CT	Flip Placard 7 Legend: Flammable, Combustible, Poison, Corrosive	13.5"	13.5"	B
81-8FO	Flip Placard 8 Legend: Full Frame	13.5"	13.5"	C
81-8SFO	Flip Placard 8 Legend: Split Frame	13.5"	13.5"	D
81-8WFO	Flip Placard 8 Legend: White Frame	13.5"	13.5"	E



A



B



C



D



E

Triangle Kits

Part Number	Description
1005	Emergency Warning Triangle, 3 Piece Kit
1005-B1	Mounting Bracket for #1005 Triangle Kit



1005



1005-B1

Stabilizing Jacks

Part Number	Description	Load Capacity	Stabilizing Length
1010181	Stabilizer Stand	40,000 lbs Static Load	44" - 51"



Flags/Flames

Part Number	Description	Dimensions	Material	Color
SFTAVM104	Oversized Load Banner	18"x84"	Mesh	Yellow



SFTAVM104

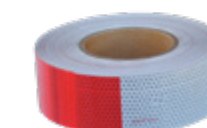
Part Number	Description	Capacity	Count
1011038	Safety Spike Flare	20 Mins	72 Per
1011078	Safety Spike Flare	30 Mins	36 Per



1011038

Conspicuity Tape

Part Number	Description	Length	Width	Color
75-0301-2244-6	Conspicuity Tape, Red- 11", White- 7"	150"	2"	Red + White
75-0301-2248-7	Conspicuity Tape	150"	2"	White
75-0301-2246-1	Conspicuity Tape, Red- 6", White- 6"	150"	2"	Red + White
75-0302-6613-6	Conspicuity Tape, Red- 11", White- 7"	150"	2"	Red + White
AVR5701700AE	Conspicuity Tape, Red- 11", White- 7"	150"	2"	Red + White



75-0301-2244-6

Fire Extinguishers

Part Number	Description	Agent Capacity	UL Rating
466422	Fire Extinguisher w/ Steel Strap Bracket	2.75 lbs	10-B.C
440161MTL	Fire Extinguisher	2.9 lbs	10-B.C
25614	Fire Extinguisher	5 lbs	3-A:40-B:C
11340	Fire Extinguisher w/ Wall Hook	10 lbs	4-A:80-B:C



440161MTL



Wheel Chocks

Part Number	Description	Material	Width	Height	Depth	Color
1013985	Wheel Chock w/ Eye Bolt	Rubber	10"	6"	8"	Black
MERGAFF18455	Wheel Chock	Poly	10.5"	6.4"	8.7"	Orange
BPCWC1085H	Heavy Duty Wheel Chock w/ Handle	Rubber	10"	5"	8"	Black
BPCWC6096A	Extruded Ribbed Wheel Chock	Aluminum	6"	5.875"	8.75"	Silver



1013985



BPCWC1085H



MERGAFF18455

Tire Carriers

Part Number	Description	Tire Diameter	Tire Width	Packaging
984-00032	Standard Mount Tire Carrier	Up to 42"	Up to 18"	Assembled
984-00035	Standard Mount Tire Carrier	Up to 42"	Up to 18"	Unassembled Banded
981-00166	Tire Carrier Adapter - Nash Style	Up to 42"	Up to 18"	Individually Packaged



984-00032



981-00166

Tire Chains

Part Number	Description	Tire Sizes	Packaging	
FCP2247SC	Single Tire Twist Link Tire Chains	305/70R22.5, 295/75R22.5, 285/70R22.5 285/75R22.5, 275/80R22.5, 285/70R22.5	Single	A
AL79	AutoSock Traction Device	295/75R22.5	Single	B
AL84	AutoSock Traction Device	315/60R22.5	Single	B



A



B

Mudflaps

Part Number	Description	Dimensions	Thickness	Material	Color
033-08002	AeroDynamic Mudflap	24"x36"	1.50"	Composite	Black
1014855	Plastic Mudflap	24"x24"	0.18"	Composite	Black
1014857	Plastic Mudflap	24"x30"	0.18"	Composite	Black
1014858	Plastic Mudflap	24"x36"	0.18"	Composite	Black
1190299	Chevron Mudflap	24"x24"	0.25"	Rubber	Black
1190299-SP	Chevron Mudflap	24"x24"	0.25"	Rubber	Black
1190300	Chevron Mudflap	24"x30"	0.25"	Rubber	Black
1190300-SP	Chevron Mudflap	24"x30"	0.25"	Rubber	Black
1190301	Chevron Mudflap	24"x36"	0.25"	Rubber	Black
1190301-SP	Chevron Mudflap	24"x36"	0.25"	Rubber	Black
1190405	Plastic Mudflap	24"x30"	0.375"	Composite	Black
1218818	Plastic Mudflap	24"x18"	0.25"	Composite	White
F04827	Chevron Mudflap	24"x30"	0.25"	Composite	Black
F04829	Chevron Mudflap, Hybrid	24"x24"	0.25"	Composite	Black



033-08002



1014855

Mudflap Brackets

Part Number	Description	Length	Material	Color
HNDS-34886	Mudflap Bracket Kit	---	Steel	Black
HNDS-22428-8K	Spray Guard Mudflap Kit	48" - 54"	Steel	Black
1190291	Mudflap Hanger Bolting Plate	27.5"	Steel	Black
033-00864	Spring Loaded Shortie Bracket	27.5"	Stainless Steel	Black
033-00868	Frame Mount Bracket	30.25"	Stainless Steel	Black
033-04992	Hellcat Straight Spring Loaded Mudflap Bracket	30.62"	Stainless Steel	Black
033-04993	Hellcat Spring Loaded Mudflap Bracket	30.62"	Stainless Steel	Black
B673025NTBK	Angled Spring Loaded Mudflap Hangers	30.25"	Carbon Steel	Black



1190291



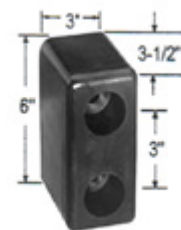
033-00864



033-04992

Dock Bumpers

Part Number	Description	Material	Width	Height	Depth	Weight	Hole	Color
BPCB5500	Dock Bumpers, Set of 2	Rubber	3"	6"	3.5"	5.4 lbs	2-Hole	Black
1149545	Dock Bumper	Rubber	3.75"	4.5"	5.75"	4.65 lbs	2-Hole	Black
1149548	Dock Bumper	Rubber	2.875"	6"	3.25"	2.31 lbs	2-Hole	Black
GT-2036	Dock Bumper	Rubber & Composite	5.25"	3.625"	8"	4.13 lbs	4-Hole	Black



BPCB5500



1149548



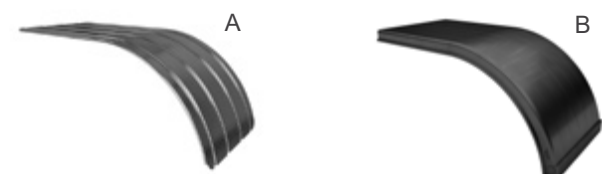
1/4 Mounts

Part Number	Description	Wheel Size	Material	Color	Packaging	
031-00406	Quarter Fender 25"x24"	22" - 24"	Poly	Black	Pair	A
034-00732	Aeroslipper Quarter Fender 25"x24"	22" - 24"	Poly	Black	Single	B
BETQF615KIT	Featherwing Quarter Fender Kit 24"x24"	22" - 24"	Poly	Black	Single	C
BETPS211PA2	Quarter Fender 24"x30"	22" - 24"	Poly	Black	Pair	D



1/2 Mounts

Part Number	Description	Length	Material	Color	Packaging	
034-01352	Ribbed Half Fender	22" - 24"	Stainless Steel	Silver	Single	A
034-02198	Spray Master Half Fender	22" - 24"	Poly	Black	Single	B
MZR10001992	Tandem Axle Half Fender	22" - 24"	Poly	Black	Single	B
MZR10001944	Half Fender	22.5" - 24.5"	Poly	Black	Single	B



Full Mounts

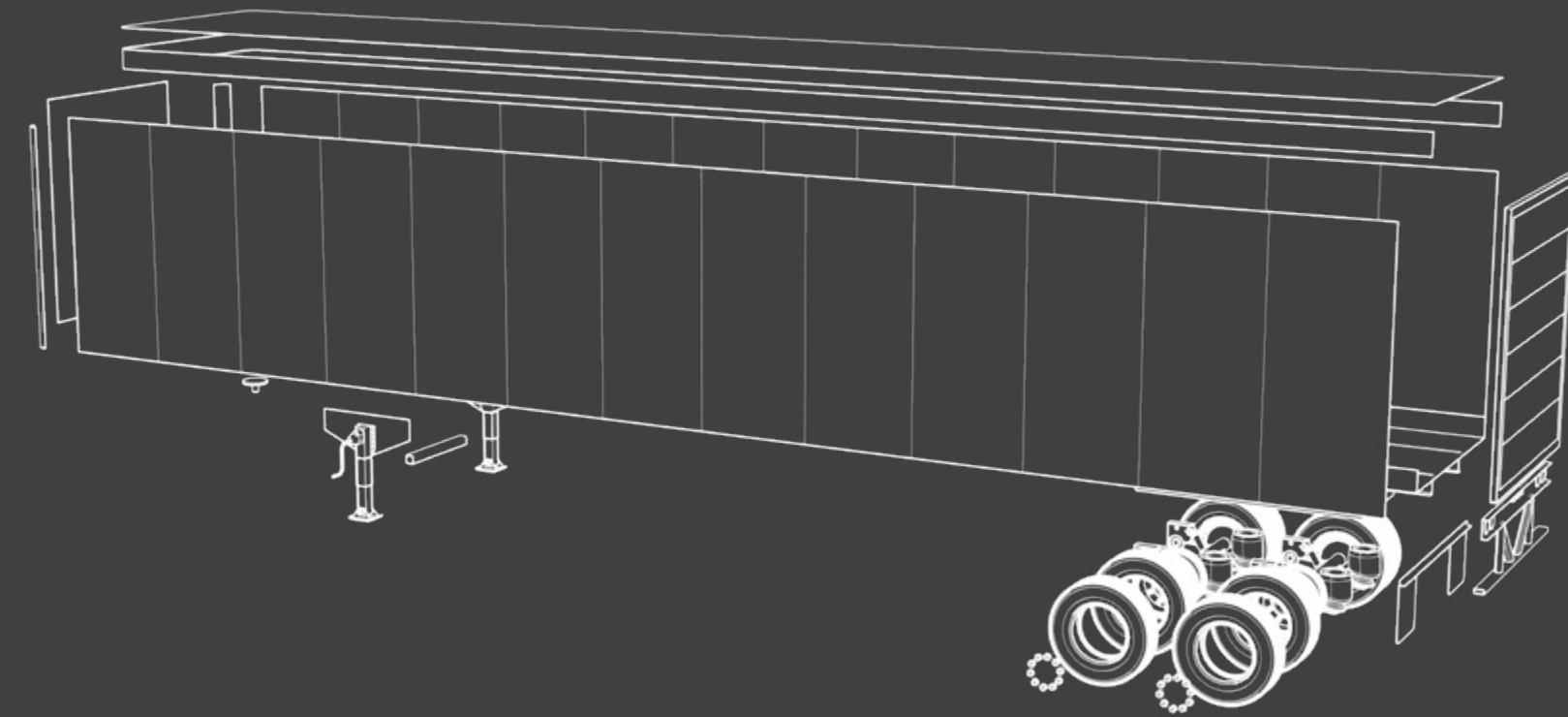
Part Number	Description	Wheel Size	Material	Color	Packaging	
034-01366	Ribbed Full Fender 103"	22" - 24"	Stainless Steel	Silver	Single	A
034-01367	Ribbed Full Fender 103"	22" - 24"	Aluminum	Silver	Single	B



Notes:



NEWLIFE
HEAVY DUTY TRAILER PARTS



Suspension



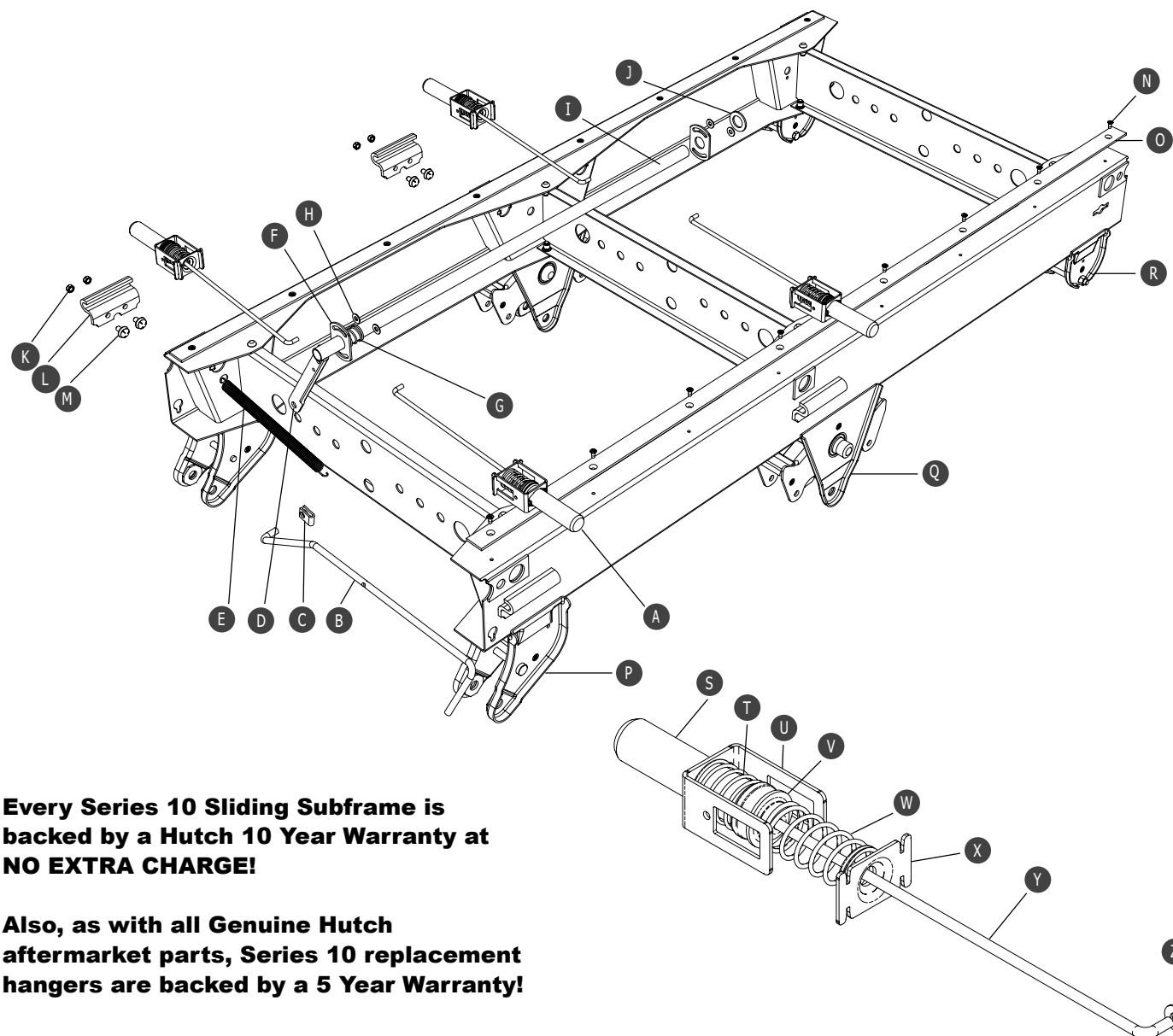
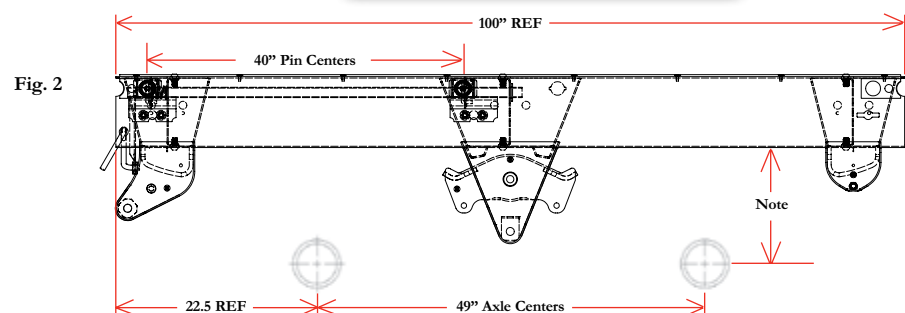
Series 10



49" Axle Spacing



Hutchens Industries
The Difference is Durability. The Quality is Hutchens.



Every Series 10 Sliding Subframe is backed by a Hutch 10 Year Warranty at NO EXTRA CHARGE!

Also, as with all Genuine Hutch aftermarket parts, Series 10 replacement hangers are backed by a 5 Year Warranty!



Complete Assemblies

Part Number	Description
HTH2841103SCLBK	Series 10 Van Slider 49 TA 48 FW Black Scharpf 9.50 HT

Hutchens Body Rails

HTH1271309
Overall Length: 192"

HTH1271328
Overall Length: 208"

HTH1271314
Overall Length: 216"

HTH1271317
Overall Length: 240"

Hole Size: 1.832" for 1-5/8"
Pins 4" Hole C-C

Series 10 Bill of Materials

Item	Part Number	Description
A	HTH2956001 HTH2956002	EZ Pull 2 Service Kit, See Chart A Below EZ Pull 2 Service Kit, See Charts A and B Below
B	HTH2738401	Pull Handle
C	HTH1140901	Handle Clip
D	HTH1922401	Crank
E	HTH801801 HTH801802	Spring-Helix, 12 GA x 1 PD x 8-5/8 for 42" Wide Spring-Helix, 12 GA x 1 PD x 10-1/8 for 48" Wide
F	HTH2817201	Cam, EZ Pull 2
G	HTH1806401	Compression Spring
H	HTH17700	Flat Washer, 3/8"
I	Contact Sales	Pipe, 1" Standard 50 LG
J	HTH922400	Washer, .173 x 1.38 x 2.25
K	HTH2869201	Hex Locknut, Coated, 1/2-20 UNF - 2B, GR B
L	HTH2028901	Hold Down Clip
M	Contact Sales	Round Head Short Square Neck Bolt and Washer Assembly, Zn Coated
N	HTH962700	Thread Form Screw
O	HTH1142132	Slider Pad, 99" LG
P	HTH2902401 HTH2902402	Front Hanger Series 10 w/ Rivet Left Half (Roadside) Front Hanger Series 10 w/ Rivet Right Half (Curbside)
Q	HTH2558901	Center Hanger/Rocker Assembly Series 10
R	HTH2557601 HTH2557602	Rear Hanger Series 10 Left Half (Roadside) Rear Hanger Series 10 Right Half (Curbside)

MAKE IT A COMPLETE SUSPENSION!

Includes: Fixed and Adjustable Torque Arms, U-Bolts, Spring Seats, Top Plates, Bottom Plates, and Hardware.

HTH97T-OS-75
.75" Spring Seat Closeout Kit

HTH97T-OS-1.25
1.25" Spring Seat Closeout Kit

Chart A - EZ Pull 2 Service Kit Part No. HTH2956001 48" Frame Width - Use roadside and curbside. 42" Frame Width - Use roadside only.

Item	Part Number	Description
S	HTH1881801TC	Lock Pin, 6.30 LG
T	Contact Sales	Pin Retraction Spring
U	Contact Sales	EZ Pull 2 Spring Cage
V	Contact Sales	Washer, SPCL
W	Contact Sales	Pin Engagement Spring
X	Contact Sales	Spring Cage Plate for No Weld Cage
Y	23334-01	Linkage Rod EZ Pull, 17.94 LG for 48" Wide
Z	HTH17700	Flat Washer, 3/8"

Note: Use this kit, with the 23334-01 linkage rod, on both the roadside and curbside of the 48" wide unit. Use this kit, with the 23334-01 linkage rod, on the roadside only of the 42" wide unit.

Chart B - EZ Pull 2 Service Kit Part No. HTH2956002 42" Frame Width - Use curbside only. Use the HTH2956001 roadside.

Item	Part Number	Description
S	HTH1881801TC	Lock Pin, 6.30 LG
T	Contact Sales	Pin Retraction Spring
U	Contact Sales	EZ Pull 2 Spring Cage
V	Contact Sales	Washer, SPCL
W	Contact Sales	Pin Engagement Spring
X	Contact Sales	Spring Cage Plate for No Weld Cage
Y	Contact Sales	Linkage Rod EZ Pull, 13.63 LG for 42" Wide
Z	HTH17700	Flat Washer, 3/8"

Note: The linkage rod in this kit will be used on the curbside only of the 42" wide unit. Call for the accurate part number.



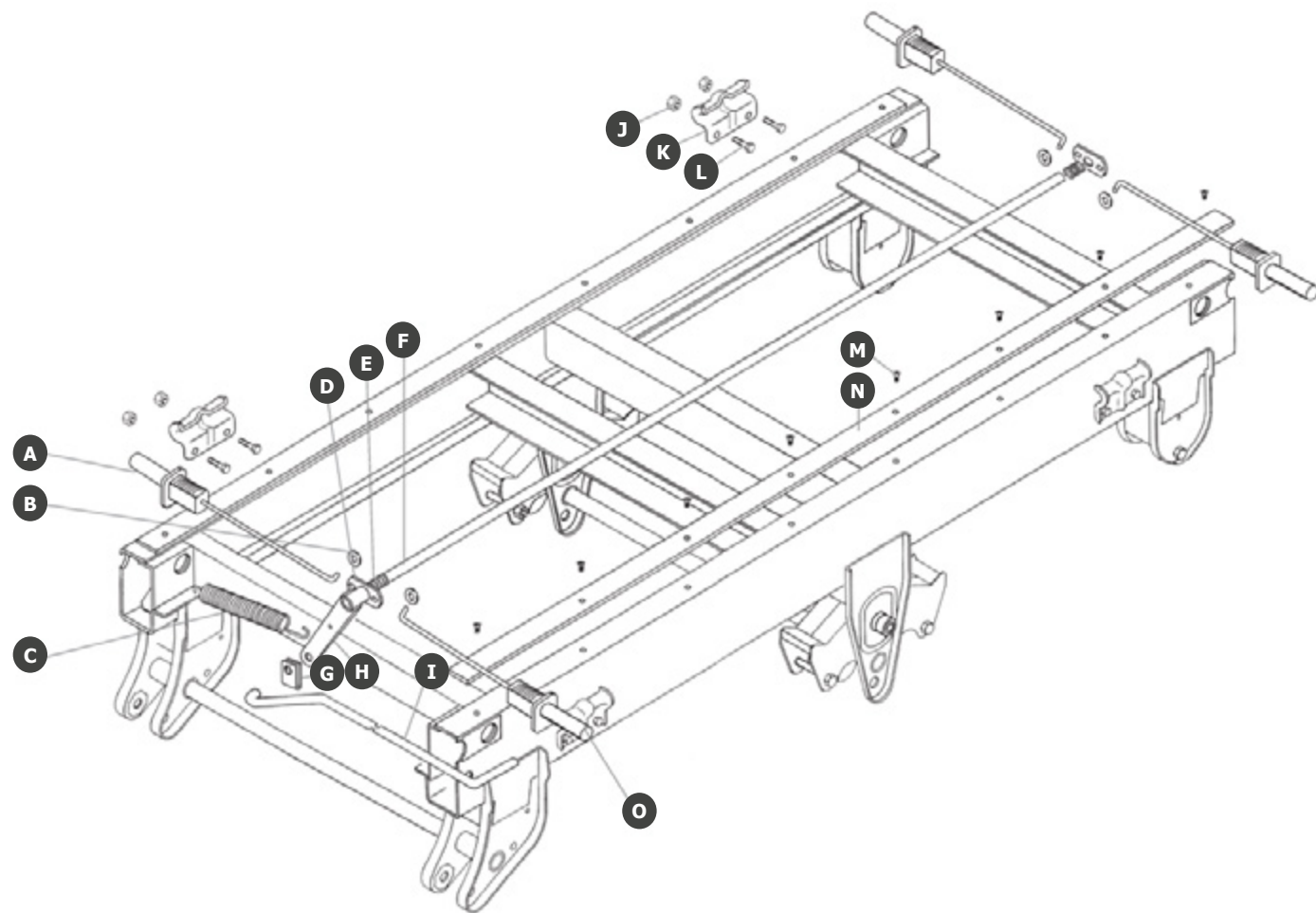
H9800



49" Axle Spacing



Hutchens Industries
The Difference is Durability. The Quality is Hutchens.



Complete Assemblies

Part Number	Description
HTH2908303	Slider 8.5 OAH Tandem, 48" Frame Width with EZ Pull 2
HTH2908301	Slider 8.5 OAH Tandem, 42" Frame Width with EZ Pull 2
HTH2909003	Slider 10.5 OAH Tandem, 48" Frame Width with EZ Pull 2
HTH2909001	Slider 10.5 OAH Tandem, 42" Frame Width with EZ Pull 2

Hutchens Body Rails

- HTH1271309
Overall Length: 192"
- HTH1271328
Overall Length: 208"
- HTH1271314
Overall Length: 216"
- HTH1271317
Overall Length: 240"
- Hole Size: 1.832" for 1-5/8" Pins 4" Hole C-C

H9800 Bill of Materials

Item	Part Number	Description
A	HTH2956001 HTH2956002	EZ-Pull 2 Pin Kit Subassembly, 42" Frame Width EZ-Pull 2 Pin Kit Subassembly, 48" Frame Width
B	HTH17700	Washer, 3/8", Type A
C	HTH801802	Spring, Helix, 12 GA x 1 PD x 10-1/8"
D	HTH802800	Cam, Puller Kit
E	HTH1806401	Compression Spring
F	Contact Sales	Pipe, 1" STD x 95"
G	HTH1140901	Handle Clip
H	HTH1922401	Crank
I	HTH1946801	Pull Handle, 34.57" LG
J	HTH3301	Hex Lock Nut, 1/2", 20 UNF - 2B, GRB
K	HTH2028901	Hold Down Clip
L	HTH804000	Hex Bolt, 1/2", 20 UNF x 1-1/4" LG, GR5
M	HTH962700	Thread Form Screw, 5/16"-18 x 3/4", CSHD
N	HTH1142101	Slider Pad, UHMW, 1/4" x 2" x 96"
O	Contact Sales	EZ-Pull 2 Pin Kit Subassembly

MAKE IT A COMPLETE SUSPENSION!

- Includes: Fixed and Adjustable Torque Arms, U-Bolts, Spring Seats, Top Plates, Bottom Plates, and Hardware.
- HTH97T-OS-75
.75" Spring Seat Closeout Kit
- HTH97T-OS-1.25
1.25" Spring Seat Closeout Kit

Chart A - EZ Pull 2 Service Kit Part No. HTH2956001 48" Frame Width - Use roadside and curbside. 42" Frame Width - Use roadside only.

Item	Part Number	Description
S	HTH1881801TC	Lock Pin, 6.30 LG
T	Contact Sales	Pin Retraction Spring
U	Contact Sales	EZ Pull 2 Spring Cage
V	Contact Sales	Washer, SPCL
W	Contact Sales	Pin Engagement Spring
X	Contact Sales	Spring Cage Plate for No Weld Cage
Y	23334-01	Linkage Rod EZ Pull, 17.94 LG for 48" Wide
Z	HTH17700	Flat Washer, 3/8"

Note: Use this kit, with the 23334-01 linkage rod, on both the roadside and curbside of the 48" wide unit. Use this kit, with the 23334-01 linkage rod, on the roadside only of the 42" wide unit.

Chart B - EZ Pull 2 Service Kit Part No. HTH2956002 42" Frame Width - Use curbside only. Use the HTH2956001 roadside.

Item	Part Number	Description
S	HTH1881801TC	Lock Pin, 6.30 LG
T	Contact Sales	Pin Retraction Spring
U	Contact Sales	EZ Pull 2 Spring Cage
V	Contact Sales	Washer, SPCL
W	Contact Sales	Pin Engagement Spring
X	Contact Sales	Spring Cage Plate for No Weld Cage
Y	Contact Sales	Linkage Rod EZ Pull, 13.63 LG for 42" Wide
Z	HTH17700	Flat Washer, 3/8"

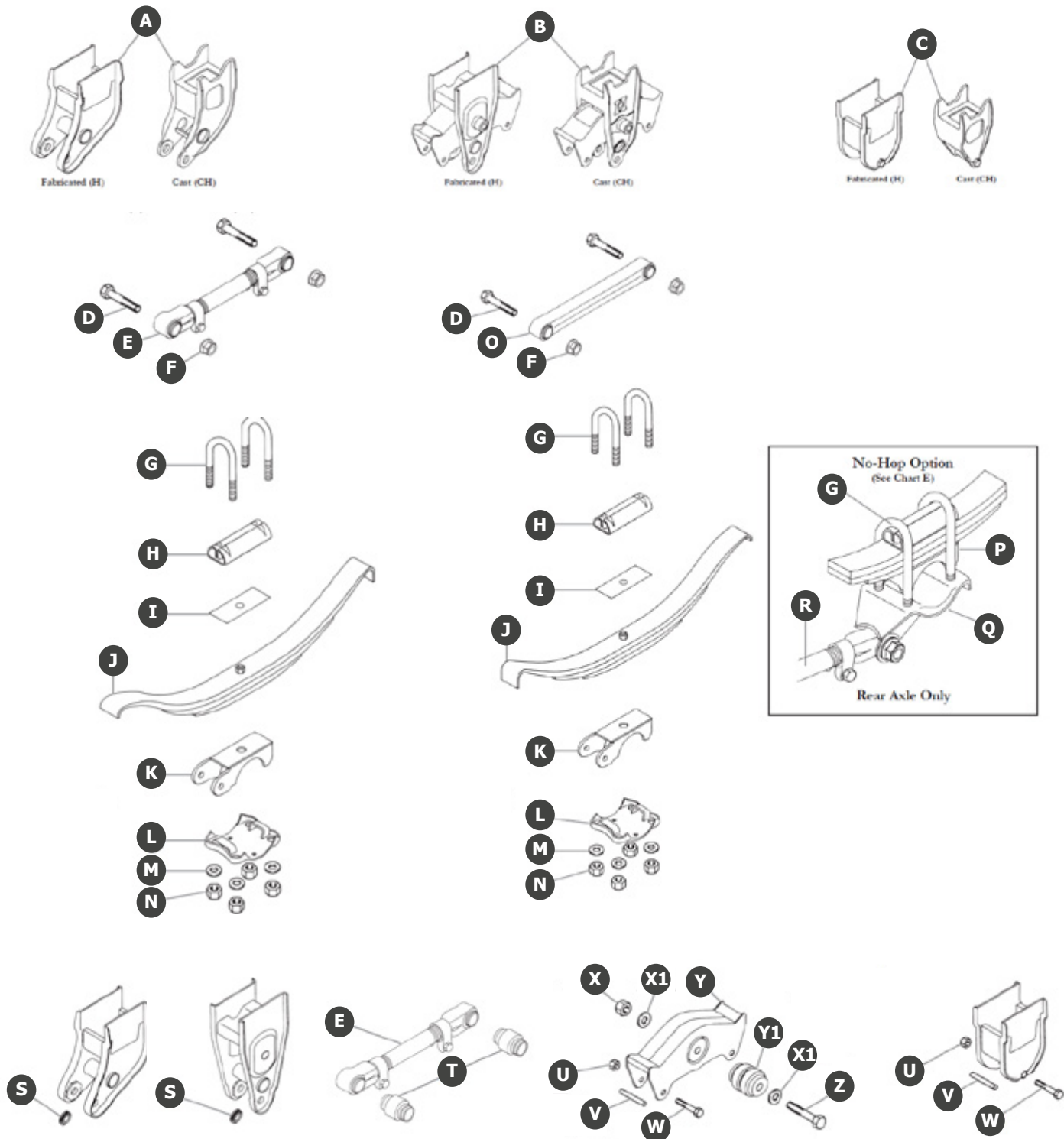
Note: The linkage rod in this kit will be used on the curbside only of the 42" wide unit. Call for the accurate part number.



H9700 - Overslung



49" Axle Spacing



H9700 - Overslung Bill of Materials

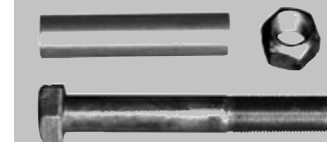
Item	Part Number	Description
A	See Chart A, pg. 188	Front Spring Hanger
B	See Chart A, pg. 188	Center Rocker Hanger Assembly
C	See Chart A, pg. 188	Rear Spring Hanger Assembly
D	HTH2869901	Hex Cap Screw-Coated, 1-8 UNC-2A x 5.00 LG, GR8
E	HTH1639804	Radius Rod w/ Bushing, 19.25 LG, Adjustable 18.50-21 LG
F	HTH2869601	Flange Locknut, Coated, 1-8 UNC-2B, GRF
G	See U-Bolts, pg. 230	U-Bolt, Standard 7/8" U-Bolt
H	HTH168601	Top Plate
I	HTH1735001	Galvanized Liner
J	See Springs, pg. 241	Spring Assembly, Standard 3-Leaf
K	See Chart B, pg. 188	Spring Seat, 5" Round
L	See Chart F, pg. 188	Bottom Plate, 5" Round
M	HTH3500 HTH81700	Washer, PL, 15/16" ID x 1-3/4" OD (For Std. 7/8" U-Bolt) Washer, 1/8" X 13/16" ID x 1-1/2" OD (For Optional 3/4" U-Bolt)
N	HTH3404 HTH1630301	Hex Nut, 7/8"-14 UNF (For Std. 7/8" U-Bolt) Hex Nut, 3/4"-16 UNF (For Optional 3/4" U-Bolt)
O	HTH71500	Non-Adj. Radius Rod w/ Rubber Bushing, 19.25 LG
P	See Chart E, pg. 188	Spring Seat (Replaces Rear Spring Seat Only)
Q	See Chart E, pg. 188	Attach Fitting (Replaces Rear Bottom Plate Only)
R	See Chart E, pg. 188	Adj. Radius Rod w/ Bushing (Replaces 1 Adj. & Non-Adj. Radius Rod on Rear Axle)
S	HTH771701	Washer Bushing
T	HTH72200	Radius Rod Bushing Only, 3" LG
U	HTH37-03	Hex Lock Nut, 5/8"-18 UNF, GRB
V	HTH75600	Sleeve Spacer, 3/4" OD x 18 GA x 3-1/4" LG
W	Contact Sales	Hex Bolt, 5/8"-18 UNF x 4-1/2 LG, GR2
X	HTH1115400	Hex Lock Nut, 1-1/8"-7 UNC, GR5
X1	Contact Sales	Washer, 1/8" x 1-1/4 ID x 2-1/4 OD
Y	HTH1615801 HTH1778401	Fabricated Rocker Assembly w/ Bushing Cast Rocker Assembly w/ Bushing
Y1	HTH1872301	Rocker Bushing Only, Rubber
Z	Contact Sales	Hex Cap Screw, 1-1/8"-7 UNV x 6.62" LG, GR5
Z1	HTH1635301	Rocker Replacement Bolt Kit (See Breakout)

Note: Boxed Kits are available on page 189.

Chart, Q-S: Bolt Rebound Kit

HTH1028710C

Bolt Rebound Kit Consisting of Hex Lock Nut, Spacer & Hex Bolt



Chart, Z1: Rocker Replacement Bolt Kit

HTH1635301

Single Bolt Kit Consisting of Rocker Bolt, Nut, & Rebound Nut Assembly





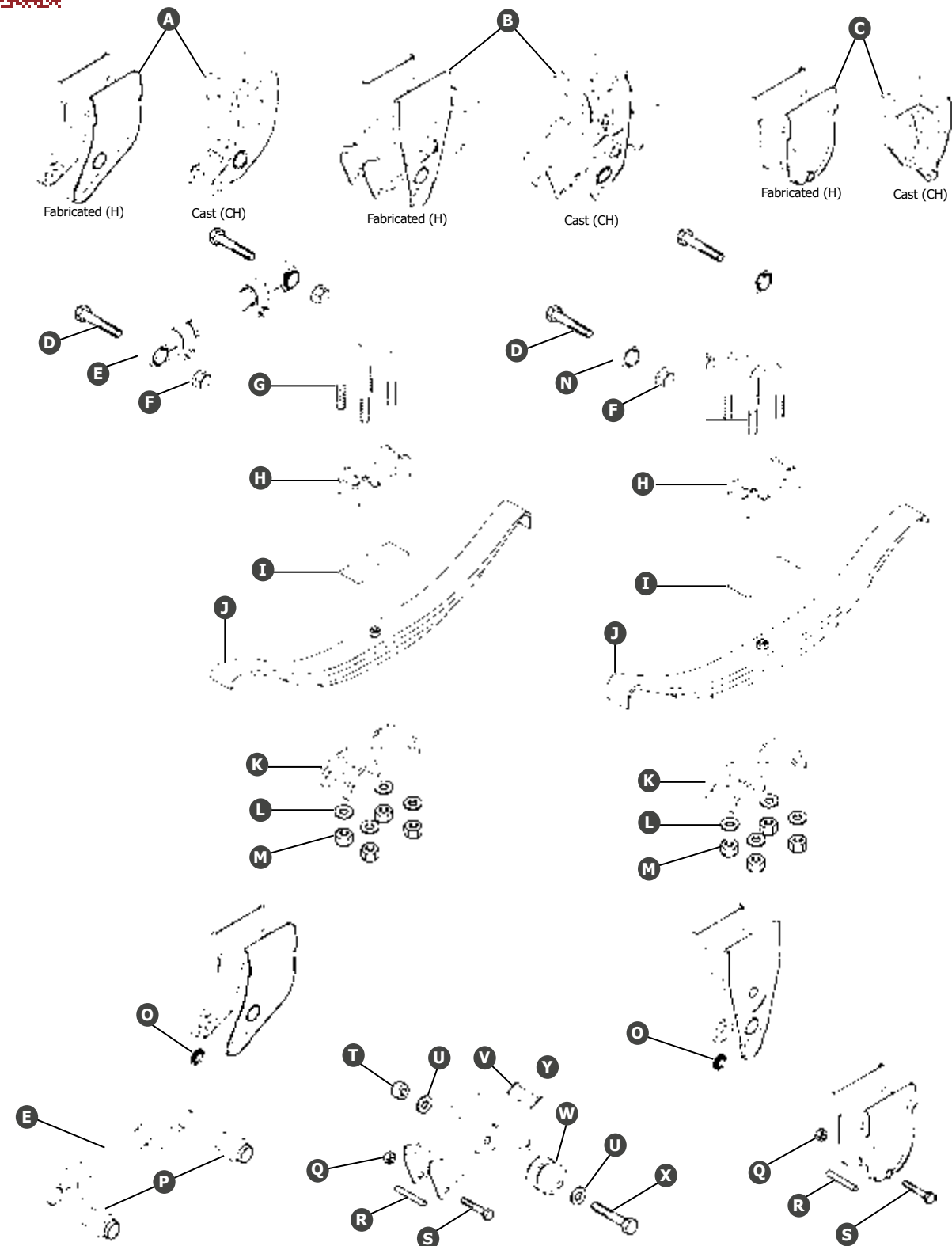
H9700 - Underslung



49" Axle Spacing



Hutchens Industries
The Difference is Durability. The Quality is Hutchens.



H9700 - Underslung Bill of Materials

Item	Part Number	Description
A	See Chart A, pg. 188	Front Spring Hanger
B	See Chart A, pg. 188	Center Rocker/Rocker Hanger Assembly
C	See Chart A, pg. 188	Rear Spring Hanger Assembly
D	HTH2869901	Radius Rod Bolt, Hex Bolt, 1-8 UNS x 5"
E	HTH1639804	Radius Rod w/ Bushing, 19.25 LG
F	HTH2869601	Flange Locknut, 1-8 UNS, GRF, Phosphate & Oil
G	See U-Bolts, pg. 230	U-Bolt, Standard 7/8" U-Bolt
H	See Chart D, pg. 188	Spring Seat, 5" Round
I	17350-02	Galvanized Liner
J	See Springs, pg. 241	Spring Assembly, Standard 3-Leaf
K	HTH70601	Bottom Plate Att., Cast
L	HTH3500	Washer, PL, 15/16 ID x 1-3/4 OD (For Std. 7/8" U-Bolt)
M	HTH3404	Hex Nut, 7/8"-14 UNF (For Std. 7/8" U-Bolt)
N	HTH71500	Non-Adj. Radius Rod w/ Rubber Bushing
O	HTH771701	Washer Bushing, 1" OD x 1-3/4" ID, .344" Thick
P	HTH72200	Radius Rod Bushing Only, 3" LG
Q	HTH37-03	Hex Lock Nut, 5/8"-11, GRB (See Breakout)
R	HTH75600	Sleeve Spacer, 3/4 OD x 18 GA x 3-1/4 LG (See Breakout)
S	Contact Sales	Hex Bolt, 5/8"-11 x 4-1/2 LG, GR2 (See Breakout)
T	HTH1115400	Hex Lock Nut, 1-1/8"-7 UNC, GR5
U	Contact Sales	Washer, 1/8" x 1-1/4 ID x 2-1/4 OD
V	HTH1615801 HTH1778401	Fabricated Rocker Assembly w/ Rubber Bushing Cast Rocker Assembly w/ Rubber Bushing (Not Shown)
W	HTH1872301	Rocker Bushing Only, Rubber
X	Contact Sales	Hex Cap Screw, 1-1/8"-7 UNC x 6.62" LG, GR5
Y	HTH1635301	Rocker Replacement Bolt Kit (See Breakout)

Note: Boxed Kits are available on page 189.

Hutchens Body Rails

HTH1271309

Overall Length: 192"

HTH1271328

Overall Length: 208"

HTH1271314

Overall Length: 216"

HTH1271317

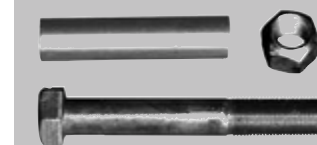
Overall Length: 240"

Hole Size: 1.832" for 1-5/8"
Pins 4" Hole C-C

Chart, Q-S: Bolt Rebound Kit

HTH1028710C

Bolt Rebound Kit Consisting of Hex Lock Nut, Spacer & Hex Bolt



Chart, Y: Rocker Replacement Bolt Kit

HTH1635301

Single Bolt Kit Consisting of Rocker Bolt, Nut, & Rebound Nut Assembly





Charts

H9700 Boxed Kits

Chart A - Hanger: Fabricated (H) and Cast (CH) Hangers						
Description	Str/mt	Un/mt	Un/mt (I-Beam)	Si/mt	Fl/mt/wo	Fl/mt/bo
Front Hgr., Fab. (H)	HTH770101	HTH2072801	HTH1648101	HTH2072901 HTH2073001	HTH770105 HTH770106	HTH770107 HTH770108
Front Hgr., Cast (CH)	HTH70201	HTH1629103 HTH1629104	NA	HTH1629103 HTH1629104	HTH70209 HTH70210	HTH70211 HTH70212
Rocker & Hgr. Assy., Fab. (H)	HTH1631901	HTH1631902	HTH1631902	HTH1631904	HTH1631908	HTH1631907
Rocker & Hgr. Assy., Cast (CH)	HTH1631951	HTH1631952	HTH1631952	HTH1631952	HTH1631958	HTH1631957
Rocker Hgr. Only, Fab. (H)	HTH1616901	HTH1617101	HTH1617101	HTH1617501	HTH1617901	HTH1617801
Rocker Hgr. Only, Cast (CH)	HTH1619603	HTH1619703	HTH1619703	HTH1619703	HTH1619905	HTH1619903
Rear Hgr. Assy., Fab. (H)	HTH770301	HTH2073201	HTH1648301	HTH2073301 HTH2073401	HTH770305 HTH770306	HTH770307 HTH770308
Rear Hgr. Assy., Cast (CH)	HTH71201	HTH162901 HTH1629302	NA	HTH1629301 HTH1629302	HTH71209 HTH71210	HTH71211 HTH71212

Chart B - Spring Seat									
Description	3/4"	1-1/4"	1-3/4"	2-1/4"	2-3/4"	3-1/4"	3-3/4"	4-1/4"	4-3/4"
5" Round	HTH1936001	HTH1936002	HTH1936003	HTH1936004	HTH1936005	HTH1936006	HTH1936007	HTH1936008	HTH1936009
5"x5" Square	HTH1936501	HTH1936502	HTH1936503	HTH1936504	HTH1936505	HTH1936506	HTH1936507	HTH1936508	HTH1936509
4"x6" Rectangle	HTH1936401	HTH1936402	HTH1936403	HTH1936404	HTH1936405	HTH1936406	HTH1936407	HTH1936408	HTH1936409

Chart C - U-Bolt: 5" Round Axle										
Seat Height	Single Leaf Spring	Length	2-Leaf Spring	Length	3-Leaf Spring	Length	7-Leaf Spring	Length	8-Leaf Spring	Length
3/4	Contact Sales	9-3/4	Contact Sales	10-1/4	Contact Sales	10-3/4	Contact Sales	11-3/4	HTH704011	12-1/4
1-1/4	Contact Sales	10-1/4	Contact Sales	10-3/4	HTH704009	11-1/4	HTH704011	12-1/4	Contact Sales	12-3/4
1-3/4	Contact Sales	10-3/4	HTH704009	11-1/4	Contact Sales	11-3/4	Contact Sales	12-3/4	HTH704013	13-1/4
2-1/4	HTH704009	11-1/4	Contact Sales	11-3/4	HTH704011	12-1/4	HTH704013	13-1/4	Contact Sales	13-3/4
2-3/4	Contact Sales	11-3/4	HTH704011	12-1/4	Contact Sales	12-3/4	Contact Sales	13-3/4	HTH704015	14-1/4
3-1/4	HTH704011	12-1/4	Contact Sales	12-3/4	HTH704013	13-1/4	HTH704015	14-1/4	Contact Sales	14-3/4
3-3/4	Contact Sales	12-3/4	HTH704013	13-1/4	Contact Sales	13-3/4	Contact Sales	14-3/4	Contact Sales	15-1/4
4-1/4	HTH704013	13-1/4	Contact Sales	13-3/4	HTH704015	14-1/4	Contact Sales	15-1/4	Contact Sales	15-3/4
4-3/4	Contact Sales	13-3/4	HTH704015	14-1/4	Contact Sales	14-3/4	Contact Sales	15-3/4	Contact Sales	16-1/4

Chart D - Spring Seat									
Description	3/4"	1-1/4"	1-3/4"	2-1/4"	2-3/4"	3-1/4"	3-3/4"	4-1/4"	4-3/4"
5" Round	HTH2221501	HTH2221502	HTH2221503	HTH2221504	NR	---	---	---	---
5"x5" Square	HTH2222601	HTH2222602	HTH2222603	HTH2222604	NR	---	---	---	---

Chart E - No-Hop Option: 5" Round Axle										
Seat Height	Single Leaf Spring	Length	2-Leaf Spring	Length	3-Leaf Spring	Length	7-Leaf Spring	Length	8-Leaf Spring	Length
3/4	Contact Sales	9-3/4	Contact Sales	10-1/4	Contact Sales	10-3/4	Contact Sales	11-3/4	HTH704011	12-1/4
1-1/4	Contact Sales	10-1/4	Contact Sales	10-3/4	HTH704009	11-1/4	HTH704011	12-1/4	Contact Sales	12-3/4
1-3/4	Contact Sales	10-3/4	HTH704009	11-1/4	Contact Sales	11-3/4	Contact Sales	12-3/4	HTH704013	13-1/4
2-1/4	HTH704009	11-1/4	Contact Sales	11-3/4	HTH704011	12-1/4	HTH704013	13-1/4	Contact Sales	13-3/4

Chart F - Bottom Plate	
Axle Size	Part No.
5" Round with 7/8" Diameter U-Bolts	HTH71000
5" Round with 3/4" Diameter U-Bolts	HTH1629701
5"x5" Square	HTH774701
4"x6" Rectangle	HTH774600

See Pg. 190 for Abbreviations

See Pg. 230 for Standard U-Bolt Sizes

Overslung Single-Axle Boxed Kits						
Part Number	Axle Connection	Hanger Type	Axle Spacing	Single / MAC	Spring Seat	U-Bolt Length
HTH97S-FL	Overslung	Flange Mount	49"	Single	.75"	11.25"
HTH97S-ST	Overslung	Straddle Mount	49"	Single	.75"	11.25"
HTH97S-UM	Overslung	Undermount	49"	Single	.75"	11.25"
HTH97S-UM-1.25	Overslung	Undermount	49"	Single	1.25"	12.25"
HTH97S-UM-1.75	Overslung	Undermount	49"	Single	1.75"	12.25"
HTH97S-UM-2.25	Overslung	Undermount	49"	Single	2.25"	12.25"
HTH97S-UM-2.75	Overslung	Undermount	49"	Single	2.75"	13.25"

Overslung Multi-Axle Conversion Boxed Kits						
Part Number	Axle Connection	Hanger Type	Axle Spacing	Single / MAC	Spring Seat	U-Bolt Length
HTH97M-FL	Overslung	Flange Mount	49"	MAC	.75"	11.25"
HTH97M-ST	Overslung	Straddle Mount	49"	MAC	.75"	11.25"
HTH97M-UM	Overslung	Undermount	49"	MAC	.75"	11.25"
HTH97M-UM-61	Overslung	Undermount	61"	MAC	.75"	12.25"
HTH97M-UM-1.25	Overslung	Undermount	49"	MAC	1.25"	12.25"
HTH97M-UM-1.75	Overslung	Undermount	49"	MAC	1.75"	12.25"
HTH97M-UM-54.5	Overslung	Undermount	54.5"	MAC	2.25"	12.25"
HTH97M-UM-2.75	Overslung	Undermount	49"	MAC	2.75"	13.25"

Underslung Single-Axle Boxed Kits						
Part Number	Axle Connection	Hanger Type	Axle Spacing	Single / MAC	Spring Seat	U-Bolt Length
HTH97S-US-IB	Underslung	I-Beam Mount	49"	Single	.75"	12.25"
HTH97S-US-ST	Underslung	Straddle Mount	49"	Single	.75"	12.25"
HTH97S-USUM42.5	Underslung	Undermount	42.5"	Single	.75"	75.25"
HTH97S-US-UM	Underslung	Undermount	61"	Single	.75"	12.25"

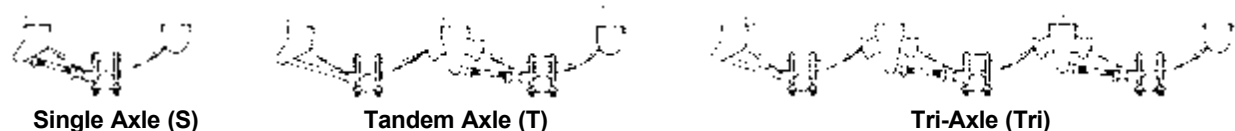
Underslung Multi-Axle Conversion Boxed Kits						
Part Number	Axle Connection	Hanger Type	Axle Spacing	Single / MAC	Spring Seat	U-Bolt Length
HTH97M-US-ST-52	Underslung	Straddle Mount	52"	MAC	.75"	12.25"
HTH97M-US-UM	Underslung	Undermount	49"	MAC	.75"	12.25"
HTH97M-US-UM-61	Underslung	Undermount	61"	MAC	.75"	75.25"
HTH97M-US-UM-64	Underslung	Undermount	64"	MAC	.75"	12.25"



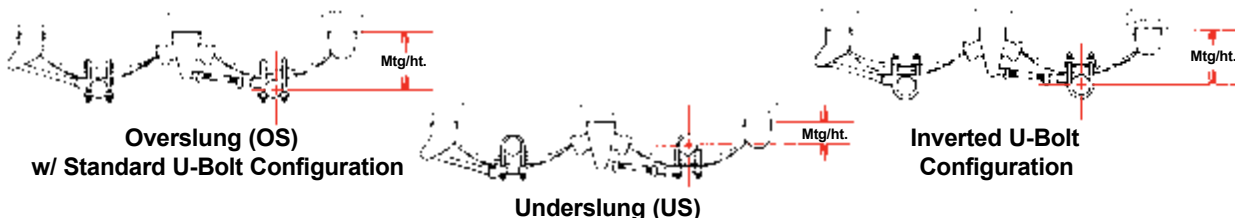
Common Abbreviations

Abbreviation	Meaning
Str/mt	Straddle Mount
Un/mt	Under Mount
Un/mt (I-Beam)	Under Mount (I-Beam)
Si/mt	Side Mount
Fl/mt/wo	Flange Mount, Weld-On
Fl/mt/bo	Flange Mount, Bolt-On

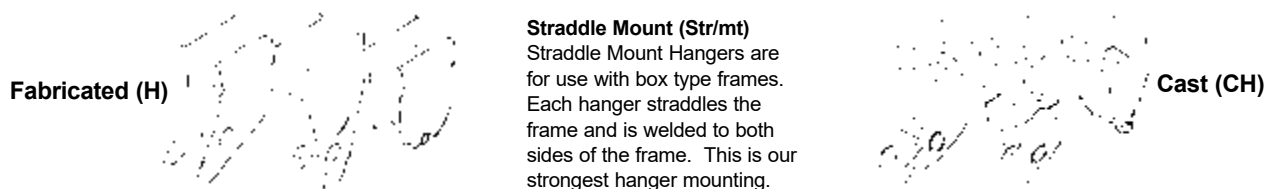
The 9700 Series suspensions are available in single, tandem and multi-axle configurations.



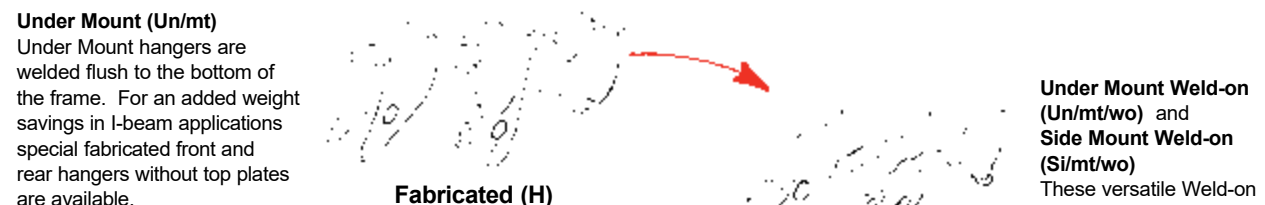
In addition to the standard overslung configuration, an underslung configuration is available for reduced mounting heights. Mounting height (Mtg/ht) is the distance from the center line of the axle to the top of the spring hangers.



The standard 9700 Series suspensions have U-bolts that point downward (threads and nuts below the axle). However, a model is available with inverted U-bolts (threads and nuts above the axle).

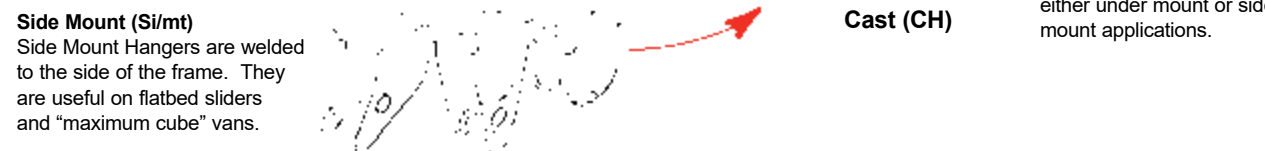


Straddle Mount (Str/mt)
Straddle Mount Hangers are for use with box type frames. Each hanger straddles the frame and is welded to both sides of the frame. This is our strongest hanger mounting.

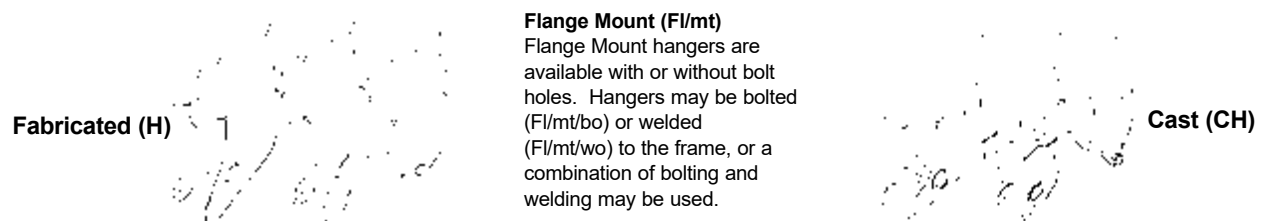


Under Mount (Un/mt)
Under Mount hangers are welded flush to the bottom of the frame. For an added weight savings in I-beam applications special fabricated front and rear hangers without top plates are available.

Under Mount Weld-on (Un/mt/wo) and Side Mount Weld-on (Si/mt/wo)
These versatile Weld-on hangers can be used for either under mount or side mount applications.



Side Mount (Si/mt)
Side Mount Hangers are welded to the side of the frame. They are useful on flatbed sliders and "maximum cube" vans.



Flange Mount (Fl/mt)
Flange Mount hangers are available with or without bolt holes. Hangers may be bolted (Fl/mt/bo) or welded (Fl/mt/wo) to the frame, or a combination of bolting and welding may be used.

RAR215



Suspension | RideWell RAR215

Complete Assemblies

Part Number	Description
2150202	Suspension Truck Lift 22.5K, 8-12" Ride Height for Drum Brake Only, Non-Steer
2150204	Suspension Truck Lift 22.5K, 10-14" Ride Height for Drum Brake Only, Non-Steer
2150311	Suspension Trailer Air Lift, 22K, 10-12" Ride Height, Air Up/Down
2150321	Suspension Trailer Air Left, 22.5K, 12-14" Ride Height, Air Up/Down
2150331	Suspension Trailer Air, 22.5K, 14-16" Ride Height, Air Up/Down
2150342	Suspension Trailer Air, 22.5K, 16-18" Ride Height, Air Up/Down

Pivot Bushing Kit 6040128

Single Bolt Kit Consisting of Rocker Bolt, Nut, & Rebound Nut Assembly

RAR215 Common Components - Truck

Suspension Model	Roadside Hanger	Curbside Hanger	Roadside Lift Air Spring	Curbside Lift Air Spring	Air Spring Ride	1" Spacer Kit	2" Spacer Kit	Ride Height
2150202	3360112	3360113	RDW1002N09611G	RDW1002N09614G	Contact Sales	---	---	8-12"
2150204	3360112	3360113	RDW1002N09611G	RDW1002N09614G	1001R121202	6040167	6040168	10-14"

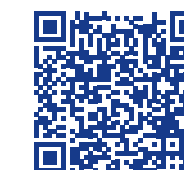
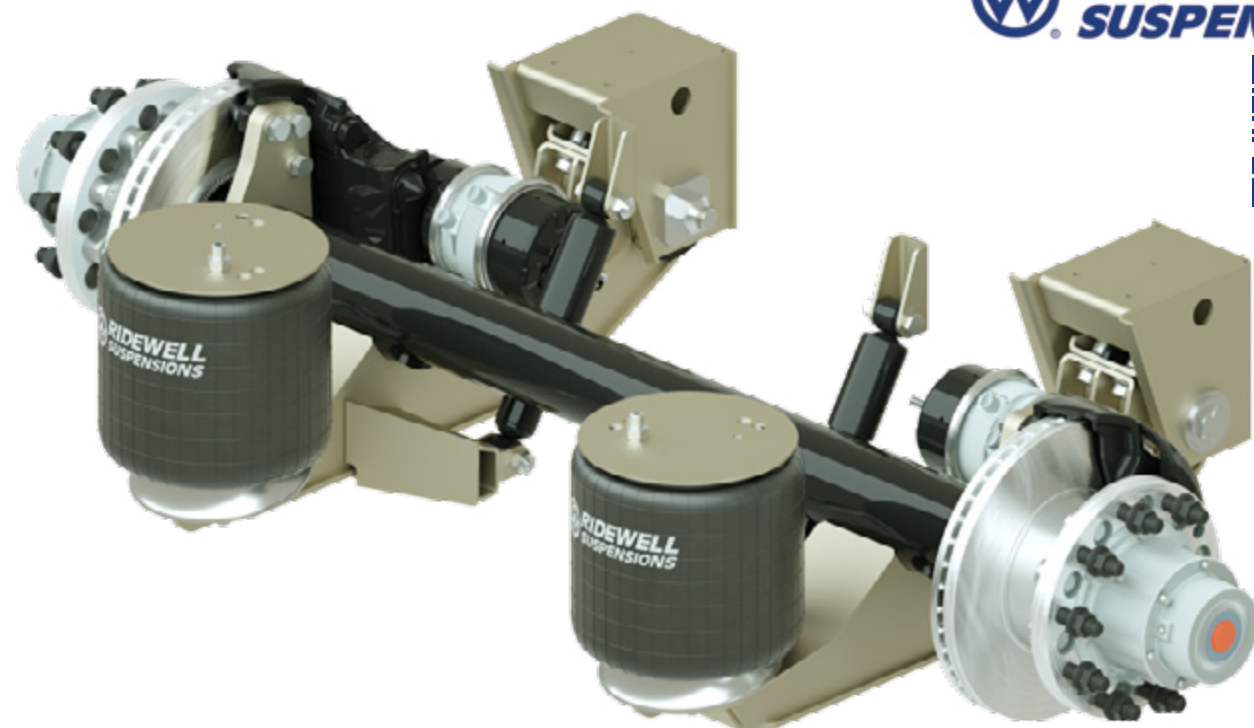
RAR215 Common Components - Trailer

Suspension Model	Roadside Hanger	Curbside Hanger	Roadside Lift Air Spring	Curbside Lift Air Spring	Air Spring Ride	Ride Height
2150311	3360114	3360115	RDW1002N09611G	RDW1002N09614G	1001R12653G	10-12"
2150321	3360118	3360119	RDW1002N09611G	RDW1002N09614G	1001R12653G	12-14"
2150342	3360120	3360121	RDW1002N09611G	RDW1002N09614G	1001R12653G	16-18"



RAR240

RAR260



Suspension | RideWell RAR240

Suspension | RideWell RAR260

Complete Assemblies

Part Number	Description
2400306	Underslung Suspension Trailer Air 25K, 6-7.5" Ride Height
2400308	Underslung Suspension Trailer Air 25K, 8-9" Ride Height
2400715	Overslung Suspension Trailer Air 25K, ADB Cap, 14-15" Ride Height
2400717	Overslung Suspension Trailer Air 25K, ADB Cap, 16-18" Ride Height

Pivot Bushing Kit 6040029
Single Bolt Kit Consisting of Rocker Bolt, Nut, & Rebound Nut Assembly

Complete Assemblies

Part Number	Description
2600208	Underslung Trailer Suspension Bushing Replacement Kit, 25K, 8-9" Ride Height
2600206	Underslung Trailer Suspension, 25K, 6-7.5" Ride Height
2600114	Overslung Trailer Suspension, 25K, 14-16" Ride Height
2600117	Overslung Trailer Suspension, 25K, 15-17" Ride Height

Pivot Bushing Kit 6040098
Single Bolt Kit Consisting of Rocker Bolt, Nut, & Rebound Nut Assembly

RAR240 Common Components

Suspension Model	Roadside Hanger	Curbside Hanger	Shock	Air Spring	Ride Height
2400306	3267744C106	3267744C206	GAB85934	1001R12692G	6-7.5"
2400308	3267744C108	3267744C208	GAB85934	1001R12607G	8-9"
2400614	3260056	3260057	GAB85934	1003589101C	11-14"
2400715	3267739C100	3267739C200	GAB85934	1001R13109G	14-16"
2400717	3267739C100	3267739C200	GAB85934	1001R13109G	16-18"

RAR260 Common Components

Suspension Model	LH Hanger	RH Hanger	Shock	Air Spring	Ride Height
2400206	3260180	3260181	GAB85000	1001R12692G	6-7.5"
2400208	3260182	3260183	GAB85000	1001R12607G	8-9"
2400114	3260186	3260187	GAB85000	1001R14250G	14-16"
2400117	3260196	3260197	GAB85000	1001R13109G	15-17"

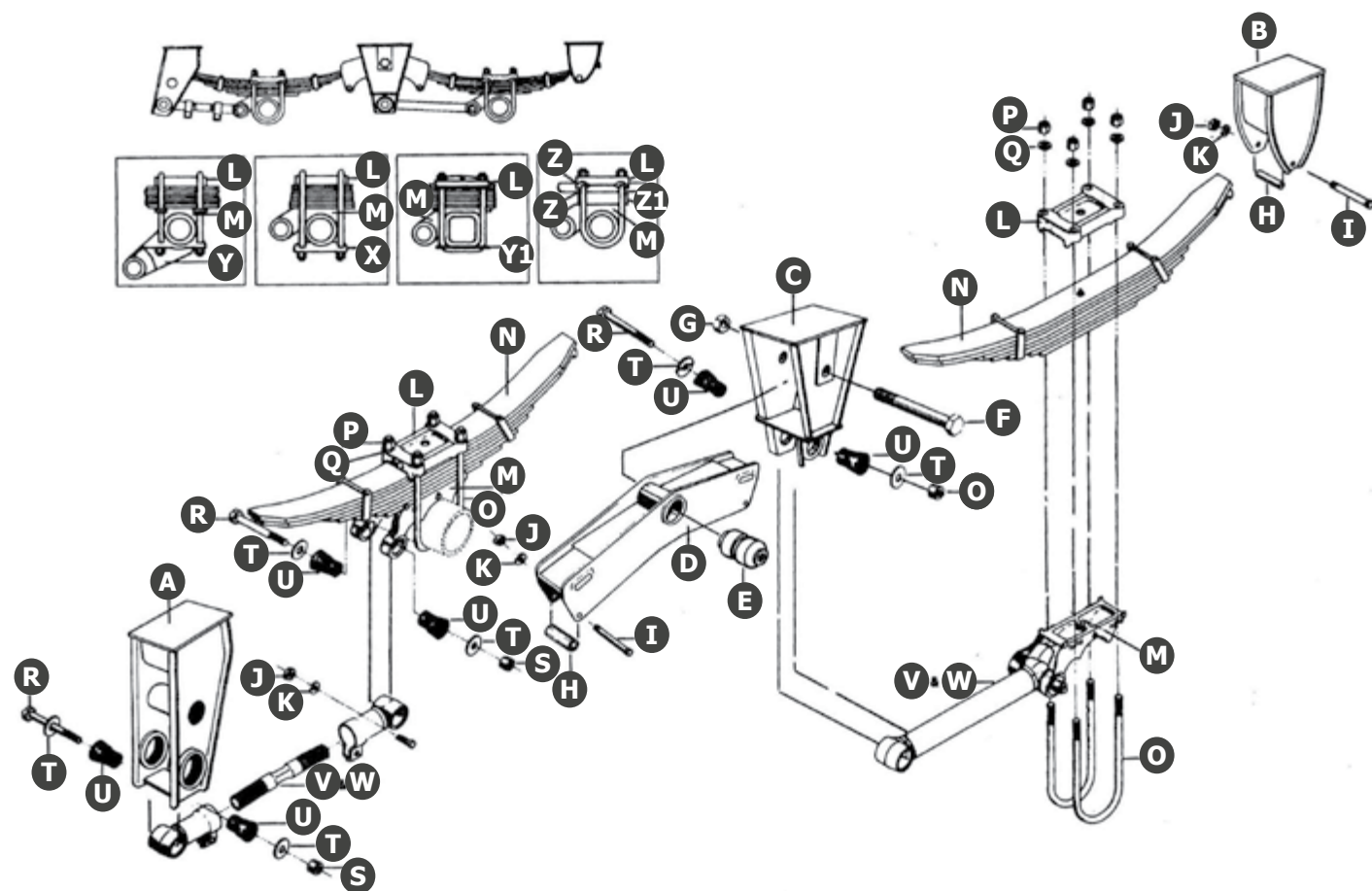


21B Fabricated



**44" - 109"
Axle Spacing**

**Reyco
Granning**
SUSPENSIONS



21B Fabricated Bill of Materials

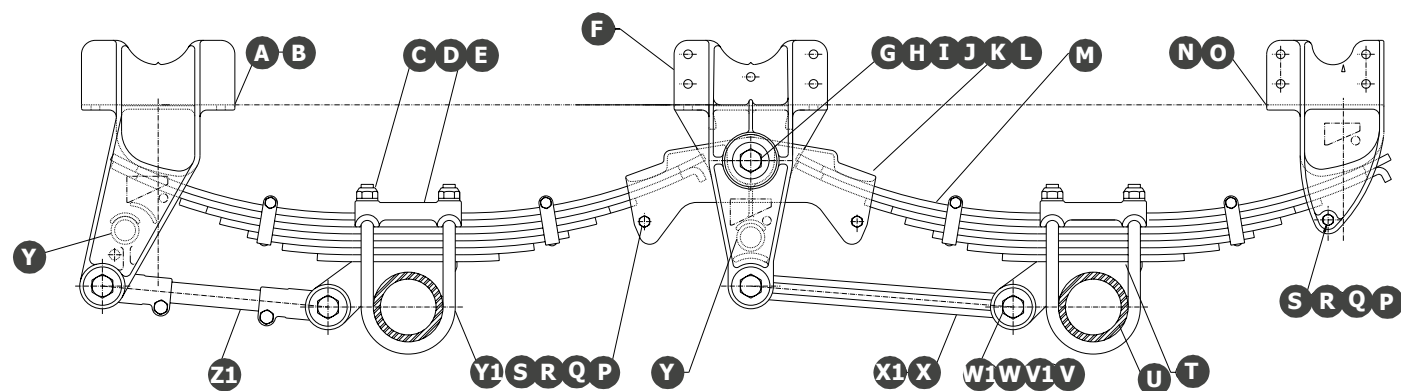
Item	Part Number	Description
A	09832-01	Front Hanger, Undermount, Roadside/Curbside
B	08595-01	Rear Hanger, Undermount, Roadside/Curbside
C	14684-01	Equalizer Bracket, Undermount
D	21693-01	Equalizer Assembly, 44"
E	14682-01	Equalizer Bushing
F	14683-01	Equalizer Shaft
G	08914-01	Equalizer Shaft Nut
H	T2106	Spring Roller
I	T5544	Cap Screw, 1/2" x 4-3/4"
J	T1704	Hex Nut, 1/2"
K	T1705	Lockwasher, 1/2"
L	Contact Sales Contact Sales Contact Sales T1734	Top Plate, All Axles Top Plate, 5" Round Top Plate, 4"x6" Axle Top Plate, 5"x5" Axle
M	0973001 0798001 Contact Sales Contact Sales	Axle Seat, 5" Round Axle Seat, 4"x6" Axle Axle Seat, 5"x5" Axle Axle Seat, 5" Round, 3/4" High
N	See Springs, pg. 241	Spring
O	See U-Bolts, pg. 230	U-Bolts
P	14344-01	U-Bolt Nut, 3/4"
Q	Contact Sales	U-Bolt Washer, 3/4"
R	T5492	Torque Arm Bolt
S	T5495	Locknut
T	T2224	Torque Arm Compression Washer
U	T5493	Torque Arm Bushing
V	0856701 Contact Sales	Torque Arm Assembly, Front-Rigid, 44" Torque Arm Assembly, Rear-Rigid, 44"
W	1517101 Contact Sales	Torque Arm Assembly, Front-Adjustable, 44" Torque Arm Assembly, Rear-Adjustable, 44"
X	0538-00 Contact Sales Contact Sales	Bottom Plate, 5" Round Bottom Plate, 4"x6" Axle Bottom Plate, 5"x5" Axle
Y	T5727	Bottom Plate, 5" Round Underslung
Y1	T5727	Bottom Plate, 5"x5" Underslung
Z	T7716 T7654 T7655	Spacer Block, 1" Spacer Block, 1-1/2" Spacer Block, 2"
Z1	16810-00	Spring Liner, Galvanized



21B Cast



**44" - 60"
Axle Spacing**



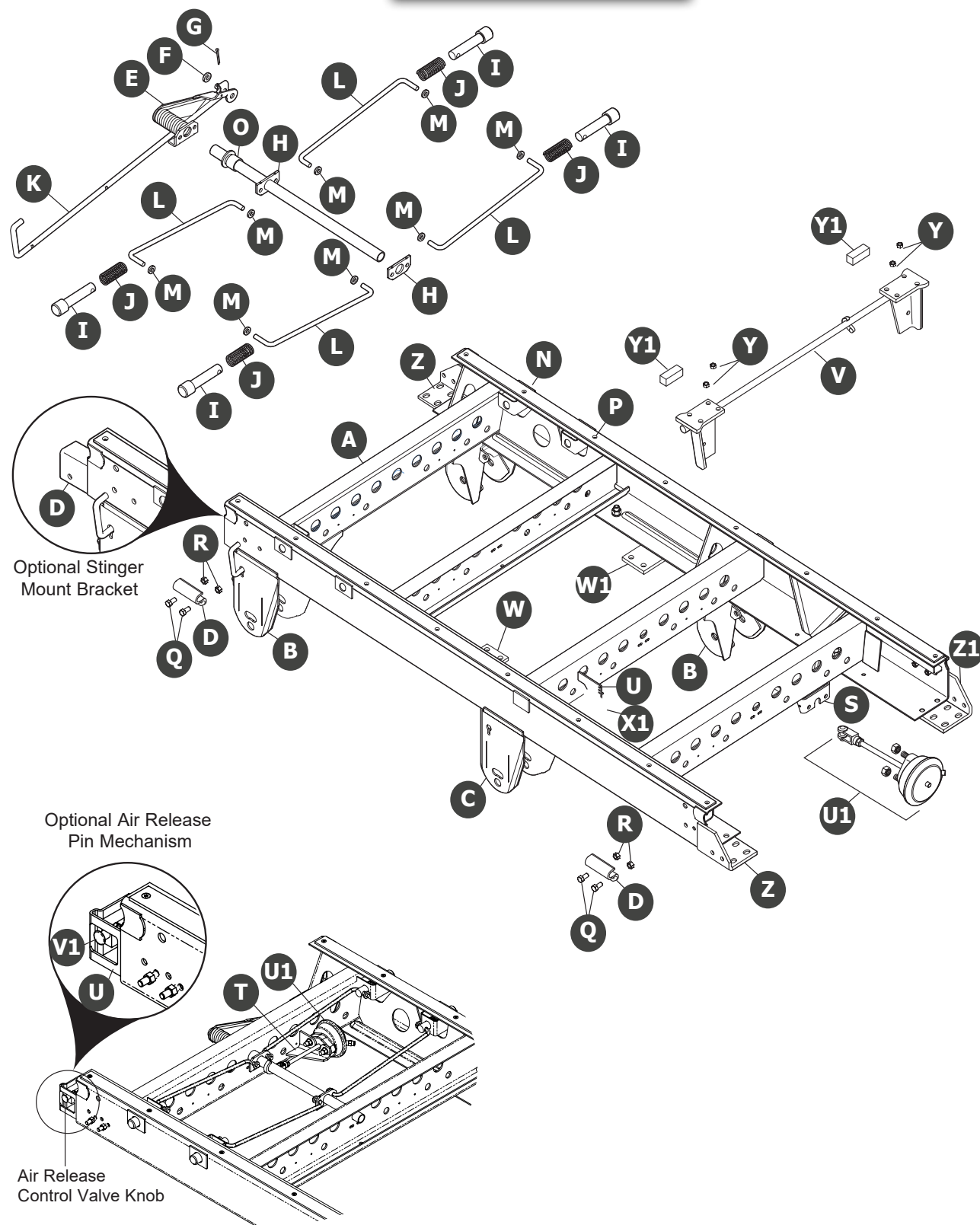
21B Cast Bill of Materials

Item	Part Number	Description
A	T5424	Front Hanger, Curbside
B	T5425	Front Hanger, Roadside
C	14344-01	Lock Nut, 7/8"
D	20852-01	Washer, 7/8"
E	Contact Sales	Top U-Bolt Plate
F	T5426	Center Hanger
G	1424801	Equalizer Bolt, 1"
H	1425001	Lockwasher, 1"
I	T1724	Equalizer Compression Washer
J	T5524	Equalizer Bearing
K	1424701	Equalizer Shaft
L	21725-01	Equalizer
M	See Springs, pg. 241	Spring
N	T5428	Rear Hanger, Curbside
O	T5429	Rear Hanger, Roadside
P	T5544	Cap Screw, 1/2" x 4-3/4"
Q	T1704	Hex Nut, 1/2"
R	T1705	Lockwasher, 1/2"
S	T2106	Spring Roller
T	0973001	Axle Seat, 3/4", 5" Round
U	Contact Sales	Axle
V	T5492	Torque Arm Bolt, 1"
V1	T5495	Lock Nut, 1"
W	T2224	Torque Arm Washer
W1	T5493	Torque Arm Bushing
X	1517801	Torque Arm Rigid, Front 16-1/4", Curbside
X1	1517901	Torque Arm Rigid, Rear 18-7/8", Curbside
Y	Contact Sales	Pipe Brace
Y1	See U-Bolts, pg. 230	U-Bolt
Z	1517201	Torque Arm, Front 16-1/4", Adjusts 16"-17"
Z1	1517301	Torque Arm, Rear 18-7/8", Adjusts 17"-19"



CBX40

42", 48", & 54"
Slider Width



CBX40 Bill of Materials

Item	Part Number	Description
A	Contact Sales	Slider System, CBX40
B	SAF90521742	Frame Bracket, Curbside
C	SAF90521743	Frame Bracket, Roadside
D	SAF90015150	Hold Down Bracket
E	SAFSL0A1277-01	Torsion Cam
F	SAFXB-PW-016-08	Washer, .41" ID x .81" OD
G	Contact Sales	Cotter Pin, .16" x 1.50"
H	SAFSL0A1274	Cam Plate
I	SAFSL0A1261 SAFSL0A1238	Pin, Step Lock, 1.63" x 6.38" Long (Hutch Style) Pin, Lock, 1.38" x 6.75" Long (All others)
J	SAFXB-SPG-02035	Spring, Compression
K	SAFSL0A1445-02 SAFSL0A1445-01	Arm, Pull 42" Slide Box Arm, Pull 48" Slide Box
L	Contact Sales	Arm Linkage, 18.08" for 42" Slide Box Arm Linkage, 15.08" for 48" Slide Box
M	SAFXB-PW-016-85	Washer, Flat .19" ID x .52" OD
N	SAFXB-SL0A1054	Lock, Slide
O	SAFSL0A523-07	Spacer, Tube 1.25"
P	Contact Sales	Screw, .32"-18 x .75" Flat HD
Q	Contact Sales	Cap Screw, Hex HD .50"-13 X 1.75" Long GR5
R	Contact Sales	Nut, Hex .50"-13 GRB
S	SAFSL0A1230	Bracket, Brake Chamber
T	SAF90026227	Bracket, Spring Brake
U	Contact Sales	Bracket, HCV Mounting
U1	SAF90548040	Spring Brake Service Chamber, Air Release Pin Mechanism Spring Brake Service Chamber, PosiLok
V	Contact Sales	PosiLok, 42" Wide Slide PosiLok, 48" Wide Slide PosiLok, 54" Wide Slide
V1	SAF93800329	Connector, Male Push Connect
W	Contact Sales	Bracket, Air Tank Mounting
W1	Contact Sales	Bracket, Air Tank Mounting
X	Contact Sales	Channel, Stinger Mounting
X1	See Chart A	Height Control Valve
Y	Contact Sales	Nut, Hex .5-13 GRB Plain
Y1	Contact Sales	Block
Z	Contact Sales	Angle, Formed
Z1	Contact Sales	Angle, Formed

SAF Holland Body Rails

- SAFSL0854-05**
Length: 248", Binkley, Painted
- SAFSL0854-20**
Length: 296", Binkley, Painted
- SAFSL0A1203-13**
Length: 216", Great Dane, Painted
Hole Size: 1.56" for 1-3/8" Pins
6" Hole C-C

Chart A: Height Control Valve (HCV)

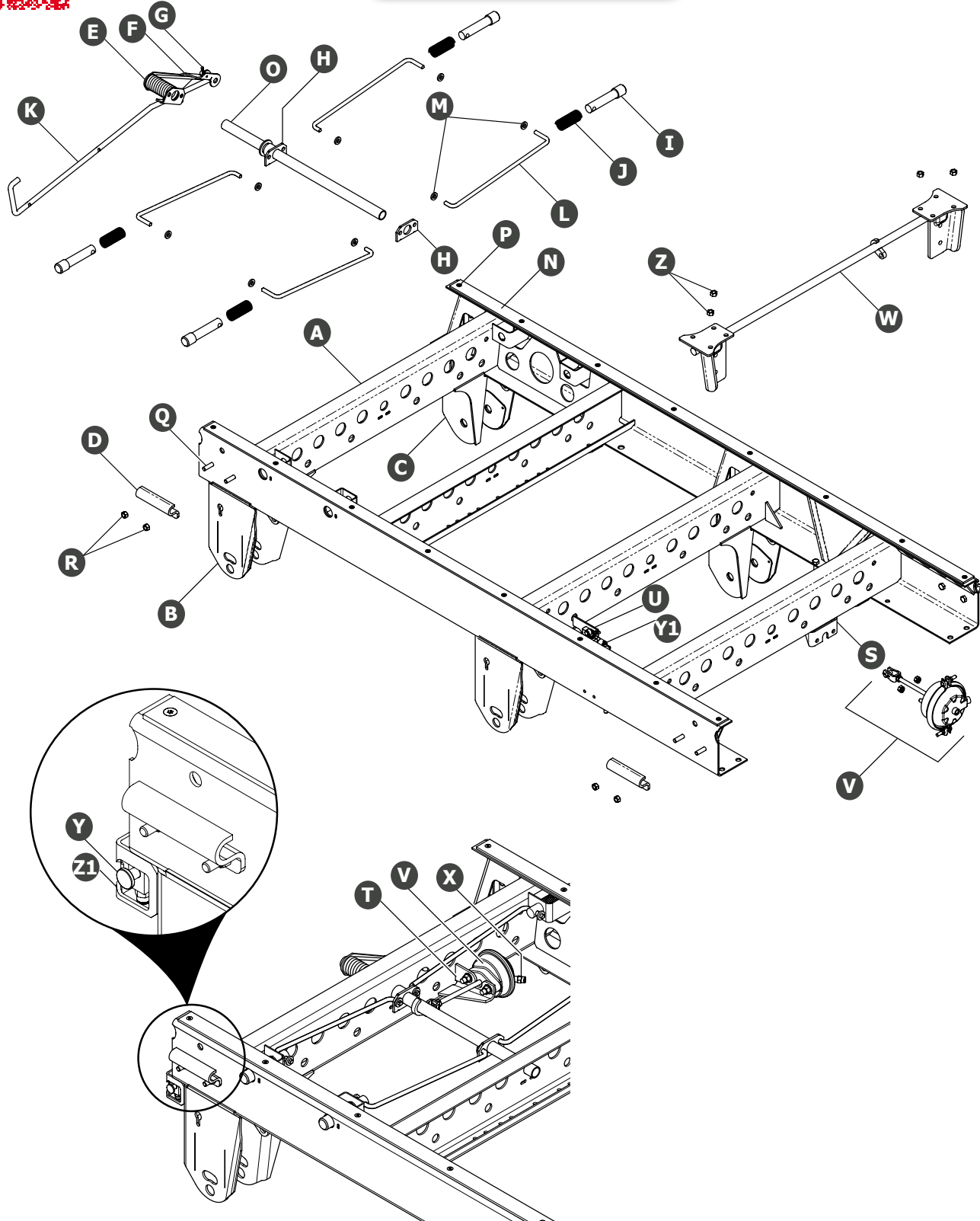
Description	Part Number	Weight (lbs)
Max-Valve HCV, Non-Dump	50860013	1.90
Max-Valve HCV, Pressure Dump	50860014	2.10
Max-Valve HCV, Zero Pressure Dump Normal Flow	50860015	2.00
Max-Valve HCV, Zero Pressure Dump Low Flow	50860016	2.00



CBXA40



42", 48", & 54"
Slider Width



Complete Assemblies

Part Number	Description
SAF90550420	CBXA40 Slider Assembly, 48"
SAF50544015	Bushing Service Tool

SAF Holland Body Rails

SAFSL0854-05

Length: 248", Binkley, Painted

SAFSL0854-20

Length: 296", Binkley, Painted

SAFSL0A1203-13

Length: 216", Great Dane, Painted

Hole Size: 1.56" for 1-3/8" Pins
6" Hole C-C

CBXA40 Bill of Materials

Item	Part Number	Description
A	Contact Sales	Slider Box
B	SAF90027002	Frame Bracket, Swing Align, Roadside
C	SAF90618226	Frame Bracket, Fixed, Curbside
D	SAF90015150	Hold Down Bracket Clip
E	SAFSL0A1277-01	Torsion Cam
F	SAFXB-PW-016-08	Washer, 0.41" ID x 0.81" OD
G	Contact Sales	Cotter Pin, 0.16" x 1.50"
H	SAFSL0A1274	Cam Plate
I	SAFSL0A1238 SAFSL0A1261	Pin, Lock (Binkley/TTMA) Pin, Lock (Hutch)
J	SAFXB-SPG-02035	Compression Spring
K	SAFSL0A1445-02 SAFSL0A1445-01 Contact Sales	Arm Pull, 42" 34-1/4" Arm Pull, 48" 37-1/4" Arm Pull, 54" 40-1/4"
L	See Chart A	Arm Linkage, 42" Arm Linkage, 48" Arm Linkage, 54"
M	SAFXB-PW-016-85	Washer, Flat 0.19" ID x 0.52 OD
N	SAFXB-SL0A1054	Block Slide "Wear Pad"
O	SAFSL0523-07	Spacer Tube, 1.25"
P	Contact Sales	Screw, .32"-18 x 0.75" Flat HD
Q	Contact Sales	Cap Screw, Hex HD 0.50"-13 x 1.75" Long GR5
R	Contact Sales	Hex Nut, 0.50"-13 GRB
S	SAFSL0A1230	Brake Chamber Bracket
T	SAF90026227	Spring Brake Bracket
U	Contact Sales	HCV Mounting Bracket
V	SAF90548040 SAF90548040	Spring Brake Service Chamber for Pin Release Spring Brake Service Chamber for PosiLok
W	SAF90549628 SAF90549629 SAF90549630	PosiLok Assembly, 16" Ride Height PosiLok Assembly, 16-1/2" Ride Height PosiLok Assembly, 17" & 18" Ride Height
X	SAF93800329	Male PTC Connector
Y	SAF90560012	Air Release Valve
Y1	See Chart B	Height Control Valve
Z	SAFXB-SLN-01204	Hex Nut, 0.50"-13 GR 8
Z1	Contact Sales	Bracket, Valve

Chart B: Height Control Valve (HCV)

Description	Part Number	Weight (lbs)
Max-Valve HCV, Non-Dump	50860013	1.90
Max-Valve HCV, Pressure Dump	50860014	2.10
Max-Valve HCV, Zero Pressure Dump Normal Flow	50860015	2.00
Max-Valve HCV, Zero Pressure Dump Low Flow	50860016	2.00

Chart A: Pin Configuration

Item	Pin Configuration	Slide Box Width 42"			Slide Box Width 48"			Slide Box Width 54"		
		Part Number	Length	Weight	Part Number	Length	Weight	Part Number	Length	Weight
L	Binkley Inside Shim	Contact Sales	14.84"	0.75	SAFSL0A1417-48	17.84"	0.85	Contact Sales	20.84	0.97
L	Binkley Outside Shim/Hutch	Contact Sales	14.93"	0.53"	SAFSL0A1550	17.96"	0.65	Contact Sales	20.96	0.72

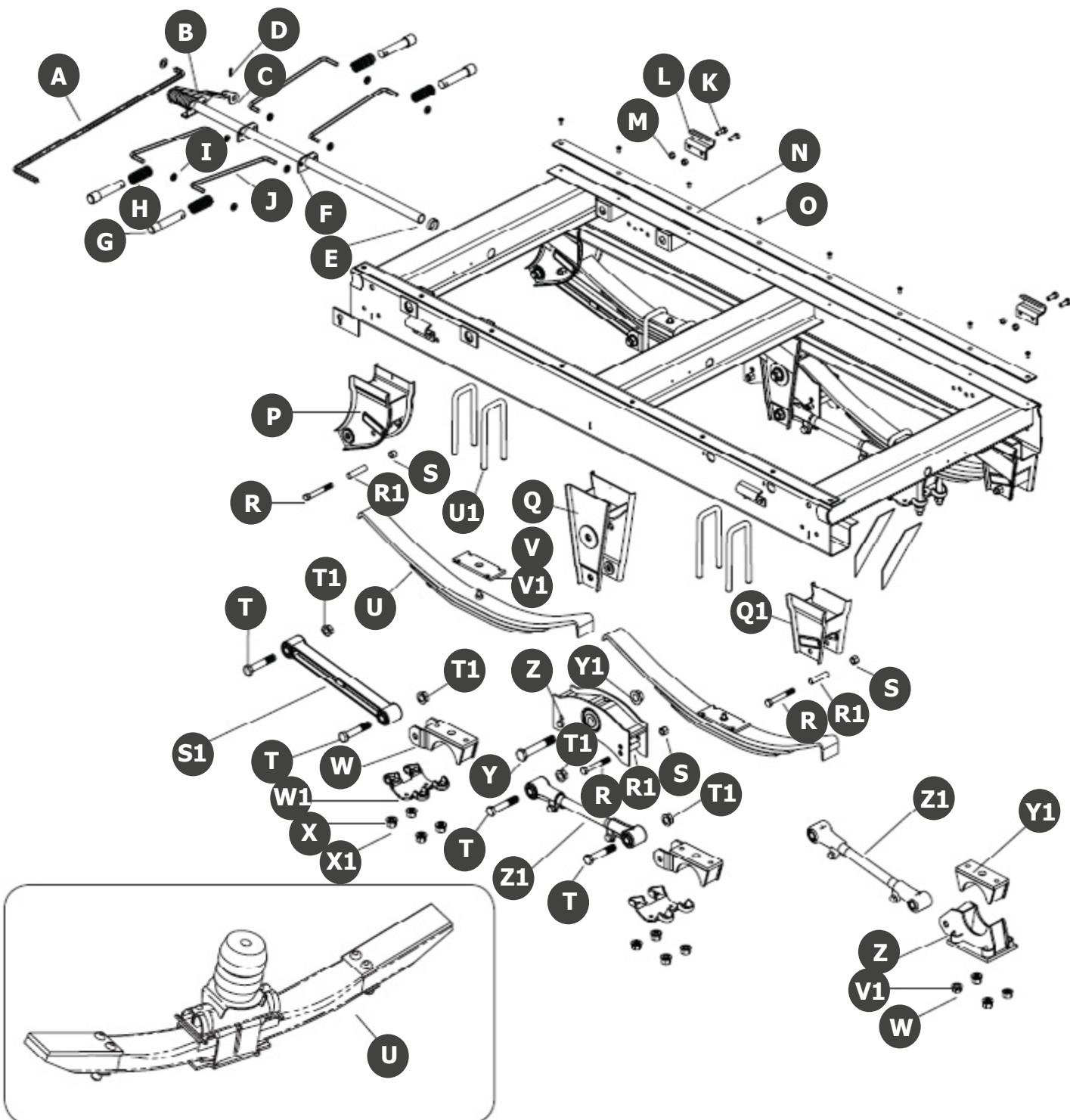


ULX40 & UltraLite2

**42", 48", & 54"
Axle Spacing**



Note: ULX40 includes an axle.



ULX40 & UltraLite2 Bill of Materials

Item	Part Number	Description
A	SAFSL0A1269-02 SAFSL0A1269-01 Contact Sales	Pull Handle, 42" Pull Handle, 48" Pull Handle, 54"
B	SAFSL0A1277-01	Center Pin Pull Assembly
C	SAFXB-PW-016-08	Retainer Washer
D	Contact Sales	Cotter Pin, 3/16" x 1-1/2"
E	SAFSL0523-07	Spacer
F	SAFSL0A1274	Torsion Cam
G	SAFSL0A1261 SAFSL0A1238	Lock Pin, Hutch Style, 1.63" Diameter Lock Pin, All Others, 1.38" Diameter
H	SAFXB-SPG-03025	Compression Spring
I	SAFXB-PW-016-85	Washer, .50" (Pin Pull Round)
J	Contact Sales	Pin Pull Rod, 42" Pin Pull Rod, 48" Pin Pull Rod, 54"
K	Contact Sales	Bolt, .50"-13 x 1.25"
L	SAF90015150	Hold Down Clip
M	Contact Sales	Lock Nut, .50"-13
N	SAFXB-SLOA1054	Slider Pad, 96" Long
O	Contact Sales	Self Tap Screw, .31"-18 x .75"
P	SAFSP0100	Straddle Mount Front Hanger
Q	SAFSP0110	Straddle Mount Equalizer Hanger
Q1	SAFSP0120	Straddle Mount Rear Hanger
R	SAFXB-SP0050-71	Bolt, .63"-11 x 4.50" LG GR5
R1	SAFXB-SP0145	Spacer, .63"
S	SAFXB-SP0012-10	Lock Nut, .63"-11
S1	SAFSP0143	Fixed Torque Arm with Bushings (Tandem Axle) Fixed Torque Arm with Bushings (No Hop)
T	SAFXB-SP0050-75	Bolt, .88"-14 x 4.75" LG GR5
T1	SAFXB-SP0012-36	Flange Lock Nut, .88"-14
U	See Springs, pg. 241	Spring Assembly
U1	See U-Bolts, pg. 230	U-Bolt, .75" Diameter (Tandem Axle) U-Bolt, .75" Diameter (No Hop) U-Bolt, .75" Diameter (Rear Axle)
V	SAFSP0178	Top Plate
V1	Contact Sales	Liner
W	See Spring Seats	Spring Seat Riser (Tandem Axle) Spring Seat Riser (No Hop)
W1	SAFSP0099	Bottom Plate (Tandem Axle) Bottom Plate (No Hop)
X	SAFXB-SP0016-67	Hardened Washer, .81" ID x 1.94" OD
X1	SAFXB-SP0011-44	Hex Nut, .75"-16 GR8
Y	SAFXB-SP0050-73	Bolt, 1"-14 x 7.06" LG GR5
Y1	SAFXB-SP0012-37	Flange Lock Nut, 1"-14
Z	SAFSP0048-PTD	Equalizer with Bushings
Z1	SAFSP0123	Adj. Torque Arm with Bushings (Tandem Axle) Adj. Torque Arm with Bushings (No Hop)

SAF Holland Body Rails

SAFSL0854-05
Length: 248", Binkley, Painted

SAFSL0854-20
Length: 296", Binkley, Painted

SAFSL0A1203-13
Length: 216", Great Dane, Painted

Hole Size: 1.56" for 1-3/8" Pins
6" Hole C-C

SAF Holland Spring Seats

SAFSP0142-01
Spring Seat, 3/4"

SAFSP0142-02
Spring Seat, 1-1/4"

SAFSP0142-03
Spring Seat, 1-3/4"

SAFSP0149-04
Spring Seat, 2-1/4"

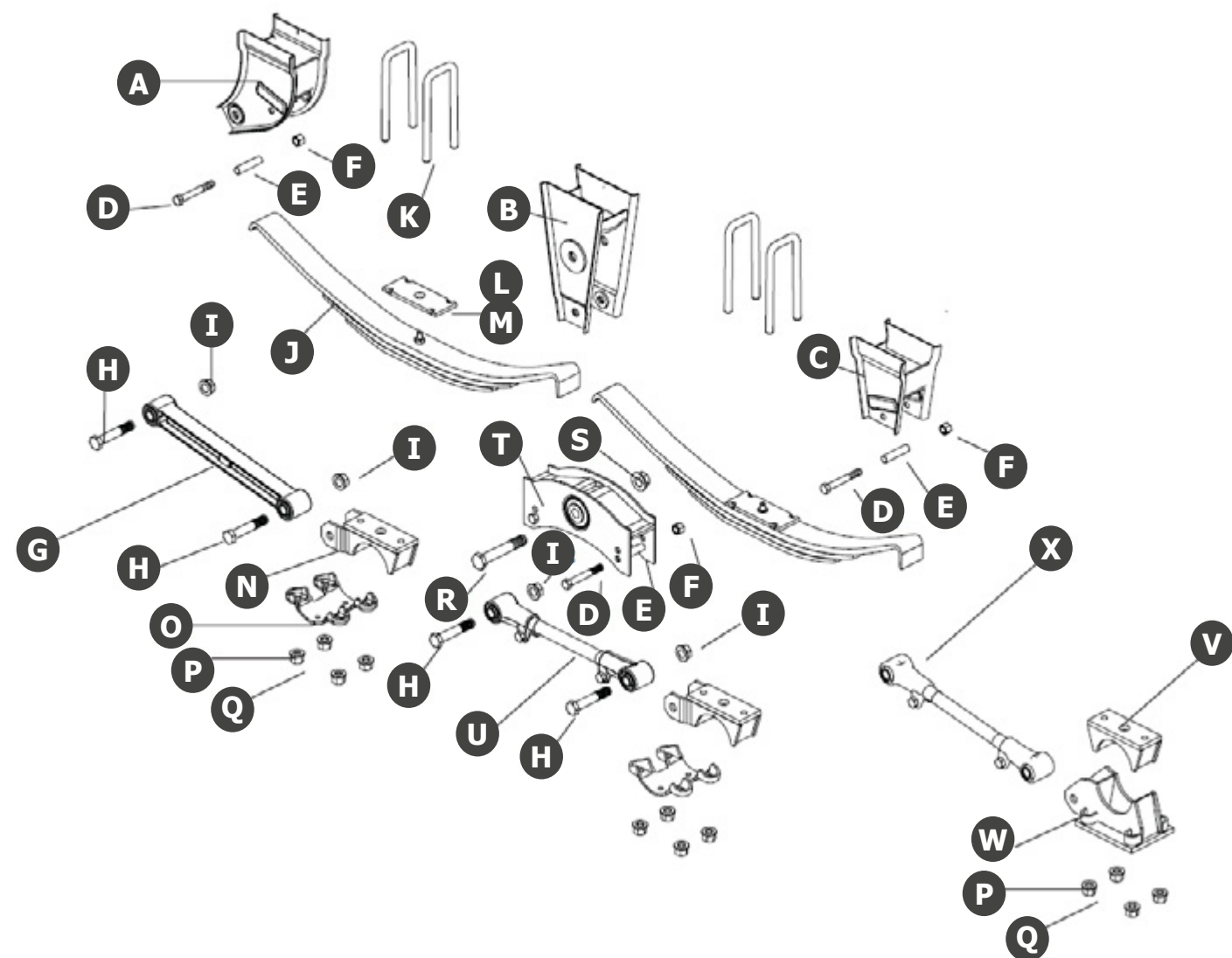
SAFSP0149-05
Riser Spring Seat, 2-3/4"



Duralite



49" Axle Spacing



Complete Assemblies

Part Number	Description
SAFDXH81D-H8	Duralite Slider Box Assembly, 48"

Duralite Bill of Materials

Item	Part Number	Description
A	SAFP0100	Straddle Mount Front Hanger
B	SAFP0110	Straddle Mount Equalizer Hanger
C	SAFP0120	Straddle Mount Rear Hanger
D	SAFXB-SP0050-71	Bolt, .63"-11 x 4.50" LG GR5
E	SAFXB-SP0145	Spacer, .63"
F	SAFXB-SP0012-10	Lock Nut, .63"-11
G	SAFSP0143	Fixed Torque Arm with Bushings (Tandem Axle) Fixed Torque Arm with Bushings (No Hop)
H	SAFXB-SP0050-75	Bolt, .88"-14 x 4.75' LG GR5
I	SAFXB-SP0012-36	Flange Lock Nut, .88"-14
J	See Springs, pg. 241	Spring Assembly
K	See U-Bolts, pg. 230	U-Bolt, .75" Diameter (Tandem Axle) U-Bolt, .75" Diameter (No Hop) U-Bolt, .75" Diameter (Rear Axle)
L	SAFSP0178	Top Plate
M	Contact Sales	Liner
N	See Spring Seats	Spring Seat Riser (Tandem Axle) Spring Seat Riser (No Hop)
O	SAFSP0099	Bottom Plate (Tandem Axle) Bottom Plate (No Hop)
P	SAFXB-SP0016-67	Hardened Washer, .81" ID x 1.94 OD
Q	SAFXB-SP0011-44	Hex Nut, .75"-16 GR8
R	SAFXB-SP0050-73	Bolt, 1.0"-14 x 6.06" LG GR5
S	SAFXB-SP0012-37	Flange Lock Nut, 1.0"-14
T	SAFSP0048-PTD	Equalizer with Bushings
U	SAFSP0123	Adjustable Torque Arm with Bushings (Tandem Axle) Adjustable Torque Arm with Bushings (No Hop)
V	Contact Sales	Spring Seat Riser, Rear Axle
W	Contact Sales	No-Hop Bottom Plate, Rear Axle
X	Contact Sales	Adjustable Torque Arm, Rear Axle

SAF Holland Body Rails

SAFSL0854-05
Length: 248", Binkley, Painted

SAFSL0854-20
Length: 296", Binkley, Painted

SAFSL0A1203-13
Length: 216", Great Dane, Painted

Hole Size: 1.56" for 1-3/8" Pins
6" Hole C-C

SAF Holland Spring Seats

SAFSP0142-01
Spring Seat, 3/4"

SAFSP0142-02
Spring Seat, 1-1/4"

SAFSP0142-03
Spring Seat, 1-3/4"

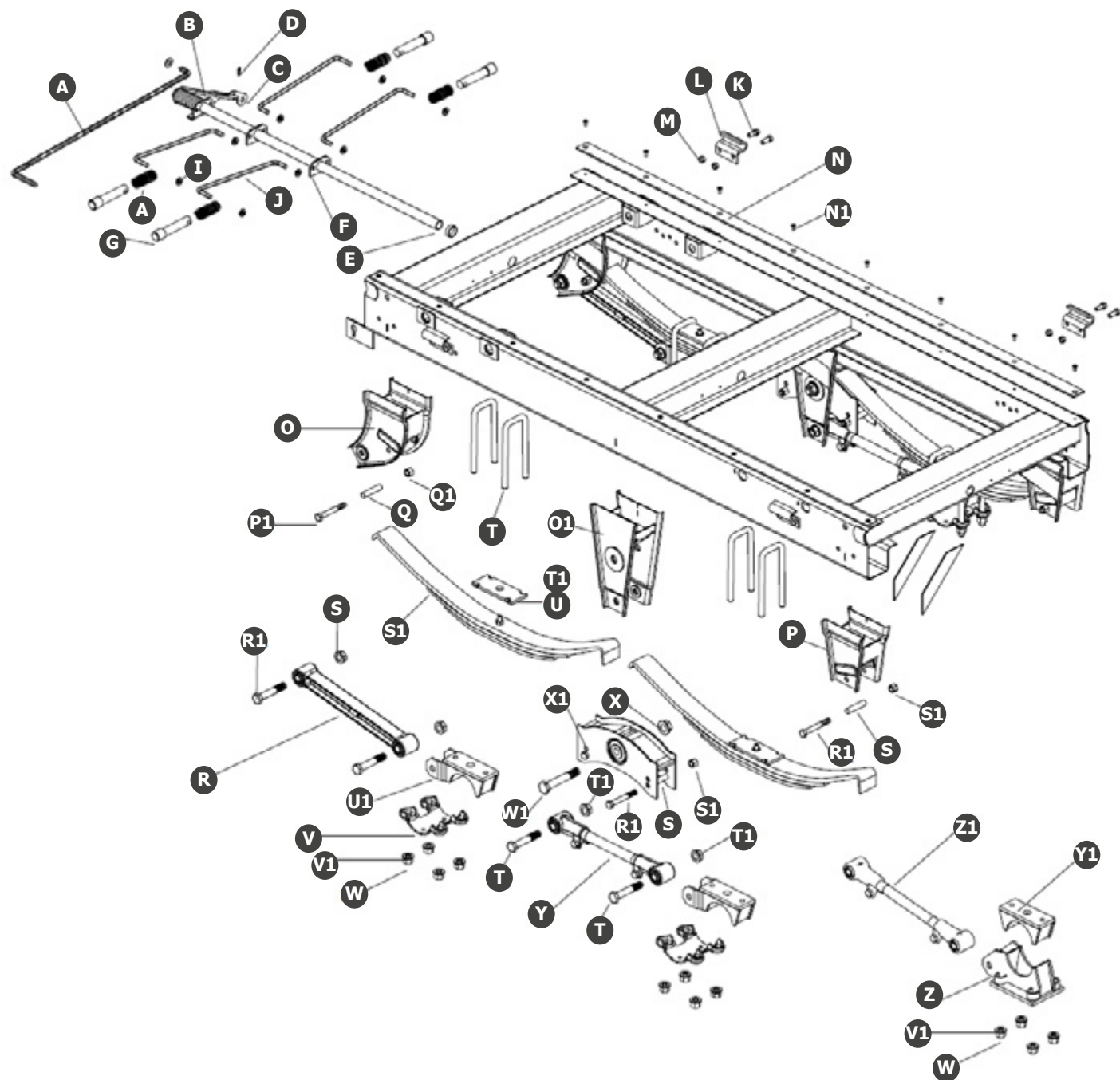
SAFSP0149-04
Spring Seat, 2-1/4"

SAFSP0149-05
Riser Spring Seat, 2-3/4"



DuraSystem

49" Axle Spacing



DuraSystem Bill of Materials

Item	Part Number	Description
A	SAFSL0A1269-02 SAFSL0A1269-01 Contact Sales	Pull Handle, 42" Pull Handle, 48" Pull Handle, 54"
B	SAFSL0A1277-01	Center Pin Pull Assembly
C	SAFXB-PW-016-08	Retainer Washer
D	Contact Sales	Cotter Pin, 3/16" x 1-1/2"
E	SAFSL0523-07	Spacer
F	SAFSL0A1274	Torsion Cam
G	SAFSL0A1261 SAFSL0A1238	Lock Pin, Hutch Style, 1.63" Diameter Lock Pin, All Others, 1.38" Diameter
H	Contact Sales	Compression Spring
I	SAFXB-PW-016-85	Washer, .50" (Pin Pull Rod)
J	Contact Sales	Pin Pull Rod, 42" Pin Pull Rod, 48" Pin Pull Rod, 54"
K	Contact Sales	Bolt, .50"-13 x 1.25"
L	SAF90015150	Hold Down Clip
M	Contact Sales	Lock Nut, .50"-13
N	SAFXB-SL0A1054	Slider Pad, 96" Long
N1	Contact Sales	Self Tap Screw, .31"-18 x .75"
O	SAFSP0100	Straddle Mount Front Hanger
O1	SAFSP0294	Straddle Mount Equalizer Hanger
P	SAFSP0120	Straddle Mount Rear Hanger
P1	SAFXB-SP0050-71	Bolt, .63"-11 x 4.50" LG GR5
Q	SAFXB-SP0145	Spacer, .63"
Q1	SAFXB-SP0012-10	Lock Nut, .63"-11
R	SAFSP0143	Fixed Torque Arm with Bushings (Tandem Axle) Fixed Torque Arm with Bushings (No Hop)
R1	SAFXB-SP0050-75	Bolt, .88"-14 x 4.75" LG GR5
S	SAFXB-SP0012-36	Flange Lock Nut, .88"-14
S1	See Springs, pg. 241	Spring Assembly
T	See U-Bolts, pg. 230	U-Bolt, .75" Diameter (Tandem Axle) U-Bolt, .75" Diameter (No Hop) U-Bolt, .75" Diameter (Rear Axle)
T1	SAFSP0178	Top Plate
U	Contact Sales	Liner
U1	See Spring Seats	Spring Seat Riser (Tandem Axle) Spring Seat Riser (No Hop)
V	SAFSP0099	Bottom Plate (Tandem Axle) Bottom Plate (No Hop)
V1	SAFXB-SP0016-67	Hardened Washer, .81" ID x 1.94" OD
W	SAFXB-SP0011-44	Hex Nut, .75"-16 GR8
W1	SAFXB-SP0050-73	Bolt, 1"-14 x 6.06" LG GR5
X	SAFXB-SP0012-37	Flange Lock Nut, 1"-14
X1	SAFSP0048-PTD	Equalizer with Bushings
Y	SAFSP0123	Adjustable Torque Arm with Bushings (Tandem Axle) Adjustable Torque Arm with Bushings (No Hop)
Y1	Contact Sales	Spring Seat Riser, Rear Axle
Z	Contact Sales	No-Hop Bottom Plate, Rear Axle
Z1	Contact Sales	Adjustable Torque Arm, Rear Axle

SAF Holland Body Rails

SAFSL0854-05
Length: 248", Binkley, Painted

SAFSL0854-20
Length: 296", Binkley, Painted

SAFSL0A1203-13
Length: 216", Great Dane, Painted

Hole Size: 1.56" for 1-3/8" Pins
6" Hole C-C

SAF Holland Spring Seats

SAFSP0142-01
Spring Seat, 3/4"

SAFSP0142-02
Spring Seat, 1-1/4"

SAFSP0142-03
Spring Seat, 1-3/4"

SAFSP0149-04
Spring Seat, 2-1/4"

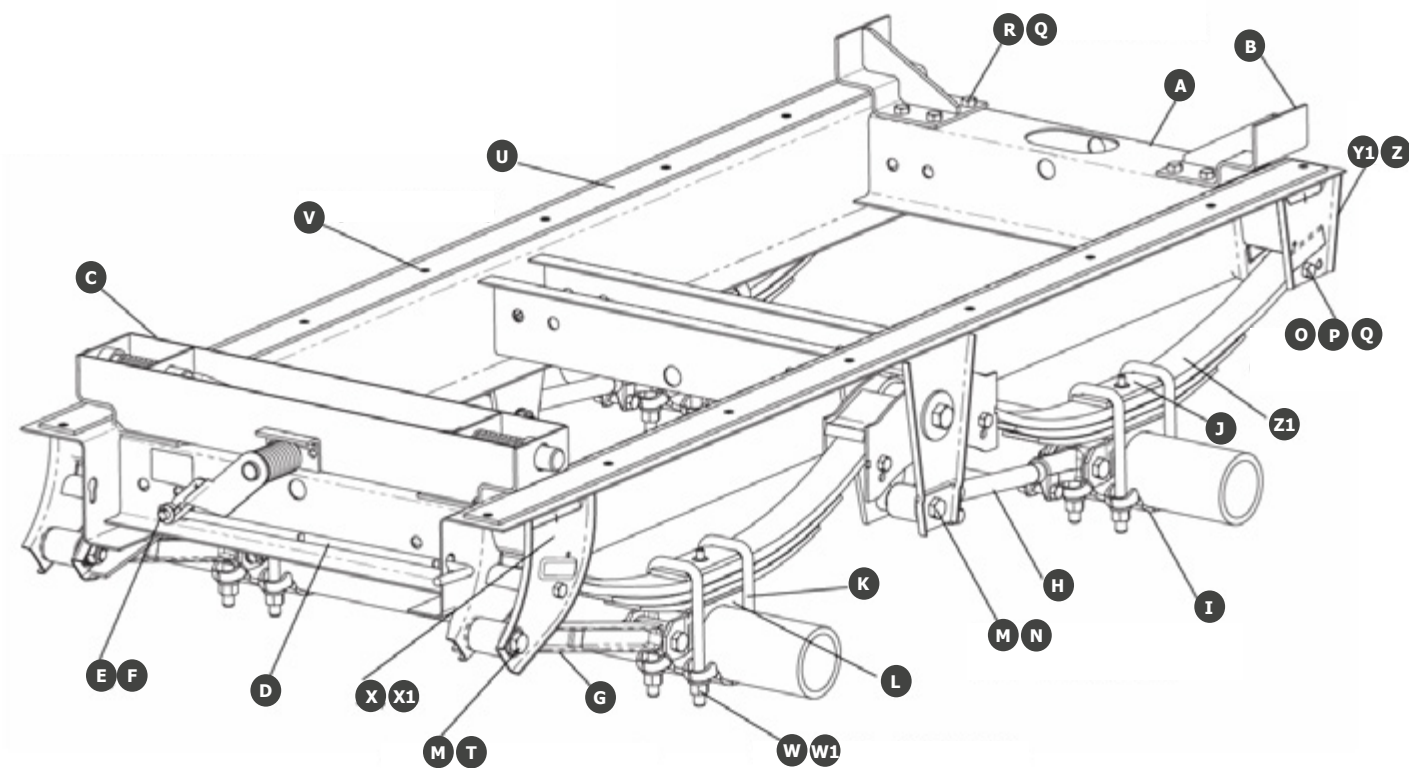
SAFSP0149-05
Riser Spring Seat, 2-3/4"



Z-Frame



**36", 38", & 44"
Axle Spacing**



Complete Assemblies

Part Number	Description
SAFZF102-0-2H63	Z-Frame Slider Box, Hyundai Chassis, 36 SPG CC

Z-Frame Bill of Materials

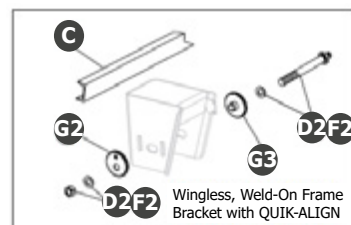
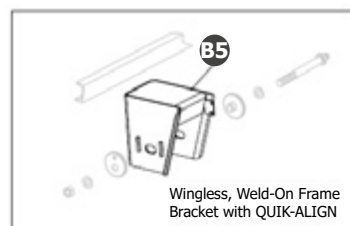
Item	Part Number	Description
A	Contact Sales	Z-Frame w/ Hangers
B	Contact Sales	Rear Hold Down Assembly
C	Contact Sales	Pin Cage Assembly
D	SAFSL0041-01	Pull Arm
E	Contact Sales	Cotter Pin
F	SAFXB-PW-016-08	Washer
G	SAFSP0143	Fixed Torque Arm
H	SAFSP0123	Adjustable Torque Arm
I	SAFSP0099	Bottom Plate
J	SAFSP0178	Top Plate
K	See U-Bolts, pg. 230	U-Bolt
L	See Spring Seats	Seat Riser
M	SAFXB-SP0012-36	Flange Nut, 7/8"
N	SAFXB-SP0050-01	Screw, Hex Cap, 7/8"-14 x 5-3/4"
O	SAFXB-SP0050-71	Screw, Hex Cap, 5/8"-11 x 4-1/2"
P	SAFXB-SP0145	Spacer
Q	SAFXB-SP0012-10	Nut, Hex, 5/8"
R	Contact Sales	Screw, Hex Cap, 5/8"-11 x 1-1/2"
S	Contact Sales	Torsion Cam Shaft (Not Shown)
T	SAFXB-SP0050-75	Screw, Hex Cap, 7/8"-14 x 4-3/4"
U	SAFXB-SL0312-01	Slide Pad
V	Contact Sales	Screw
W	SAFXB-SP0011-44	Nut, Hex, 3/4"-16
W1	SAFXB-SP0016-67	Washer
X	SAFSP0156-02	Front Hanger, Roadside
X1	SAFSP0156-01	Front Hanger, Curbside
Y	SAFSP0168	Center Hanger (Not Shown)
Y1	SAFSP0055-01	Rear Hanger, Roadside
Z	SAFSP0055-02	Rear Hanger, Curbside
Z1	See Springs, pg. 241	Spring

SAF Holland Spring Seats

- SAFSP0142-01
Spring Seat, 3/4"
- SAFSP0142-02
Spring Seat, 1-1/4"
- SAFSP0142-03
Spring Seat, 1-3/4"
- SAFSP0149-04
Spring Seat, 2-1/4"
- SAFSP0149-05
Riser Spring Seat, 2-3/4"

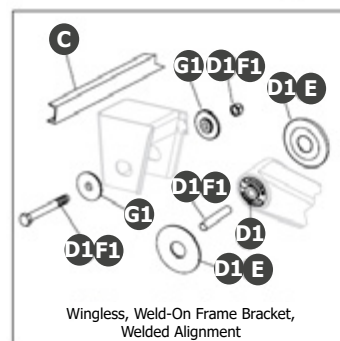
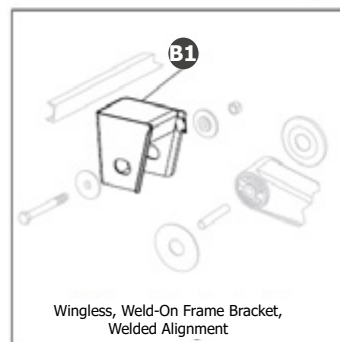


HT250T

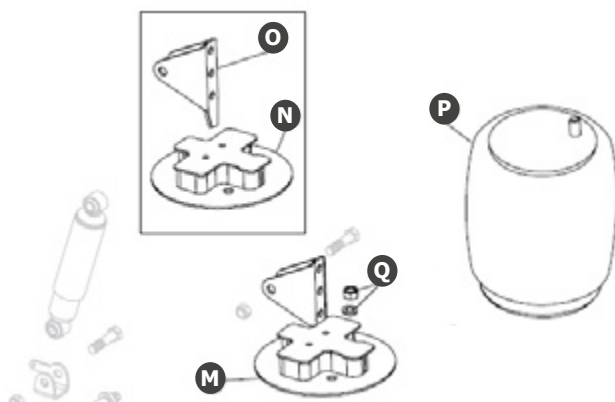


Winged, Weld-On Frame Bracket with QUIK-ALIGN

Winged, Weld-On Frame Bracket with QUIK-ALIGN



Coined U-Bolt



Complete Assemblies

Part Number	Description
HNDHT250TB17001	Trailer Suspension, 25K, 17" RH, Wingless Q-Align
HNDHT250T15-001	Trailer Suspension, 25K, 15" RH, L-Mount, Wingless Weld Align
HNDHT250T17-001	Trailer Suspension, 25K, 17" RH, L-Mount, Wingless Weld Align

Bushing Installation Tool
HNDS-21307
Wide Bushing



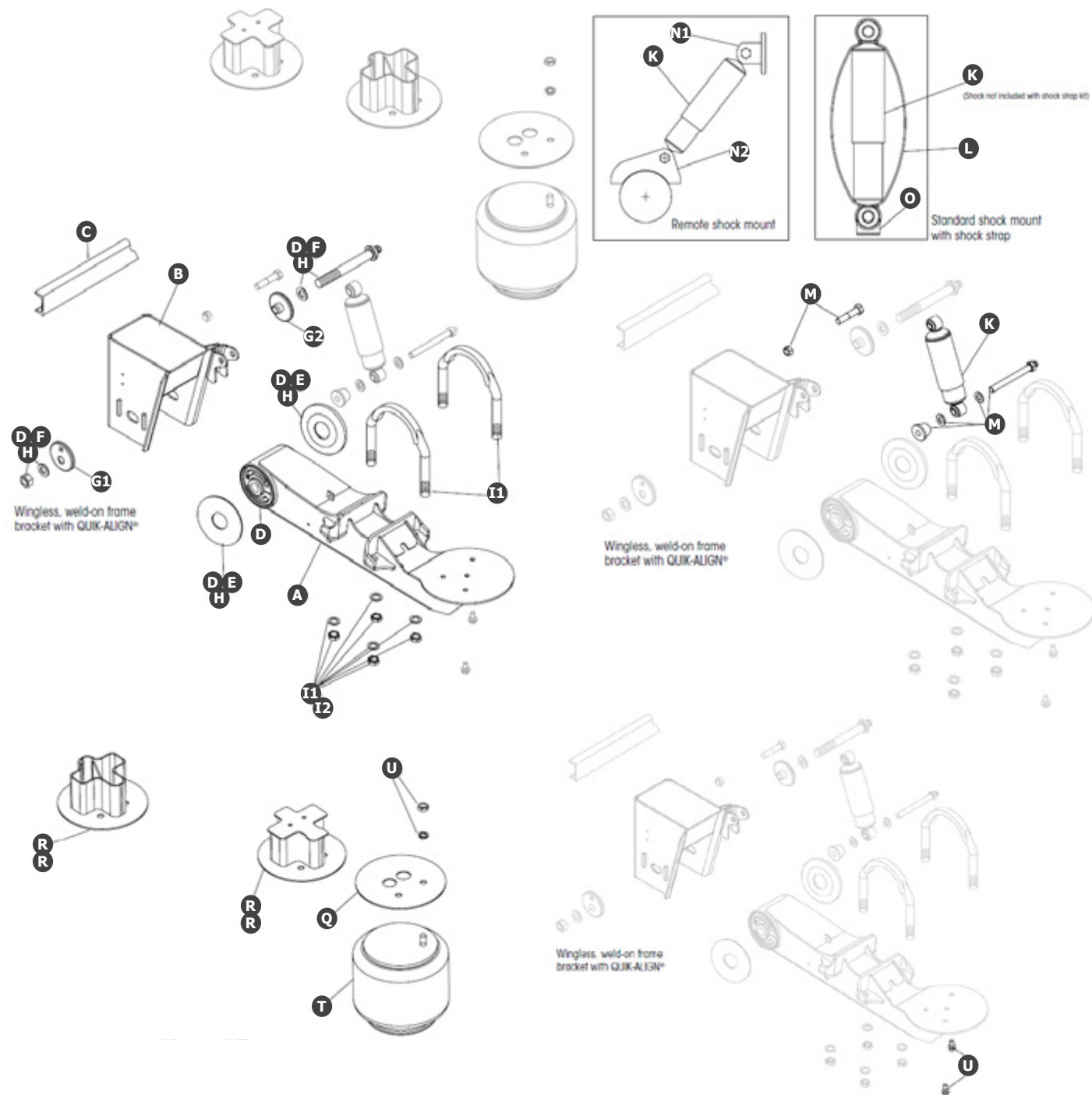
HT250T Bill of Materials

Item	Part Number	Description
A	HNDS-20602-1 HNDS-20602-2	Beam Assembly, Roadside (All Models) Beam Assembly, Curbside (All Models)
B1	Contact Sales	Frame Bracket, Wingless, Weld-On, Welded Alignment, Roadside Frame Bracket, Wingless, Weld-On, Welded Alignment, Curbside
B2	Contact Sales	Frame Bracket, Wingless, Bolt-On, Welded Alignment, Roadside (Not Shown) Frame Bracket, Wingless, Bolt-On, Welded Alignment, Curbside (Not Shown)
B3	Contact Sales	Frame Bracket, Winged, Weld-On, Quik-Align, Roadside Frame Bracket, Winged, Weld-On, Quik-Align, Curbside
B4	Contact Sales	Frame Bracket, Winged, Bolt-On, Quik-Align, Roadside (Not Shown) Frame Bracket, Winged, Bolt-On, Quik-Align, Curbside (Not Shown)
B5	Contact Sales	Frame Bracket, Wingless, Weld-On, Quik-Align, Roadside Frame Bracket, Wingless, Weld-On, Quik-Align, Curbside
B6	Contact Sales	Frame Bracket, Wingless, Bolt-On, Quik-Align, Roadside (Not Shown) Frame Bracket, Wingless, Bolt-On, Quik-Align, Curbside (Not Shown)
C	HNDA-1631-19	Frame Bracket C-Channel
D1	HNDS-6914	Tri-Functional II Bushing Kit, Welded Alignment
D2	HNDS-24691-BK	Tri-Functional II Bushing Kit, Quik-Align
E	HNDS-21099	Bushing Tube Spacer
F1	HNDS-3646	Pivot Bolt Kit, Welded Alignment
F2	HNDS-24679	Pivot Bolt Kit, Quik-Align
G1	HNDS-2770	Alignment Collars, Welded Alignment
G2	HNDS-20925	Alignment Collars, Eccentric Quik-Align (Outer)
G3	HNDS-20924	Alignment Collars, Concentric Quik-Align (Inner)
H	HNDS-21140-4	U-Bolt Kit
I	HNDS-2212	Shock Absorber
J	HNDS-20031-2	Shock Bolt Kit
K	HNDS-14587-3	Shock Strap Kit (Not Shown)
L	HNDS-20069	Lower Shock Clevis
M	Contact Sales	Air Spring Shock Mount
N	Contact Sales	Air Spring Spacer Assembly
O	HNDS-20023	Upper Shock Bracket
P	HNDS-20124-32	Air Spring (For all Models, except: T-17-022 and TB15-025)
Q	HNDS-20033-2	Air Spring Mounting Kit
R	HNDVS-227	Universal Height Control Valve (Not Shown)
S	HNDS-14187	Universal Linkage Assembly (Not Shown)
T	HNDVS-23460	Automatic Dump Valve (Not Shown)
U	Contact Sales	Pressure Protection Valve, Includes Valve Only (Not Shown)

Note: Bushing tool HNDS-21307 is required to correctly re-bush the suspension.



HT250U



HT250U Bill of Materials

Item	Part Number	Description
A	HNDS-24186-1 HNDS-24186-2	Beam Assembly, Standard (Roadside) Beam Assembly, Standard (Curbside)
A	HNDS-29303-1 HNDS-29303-2	Beam Assembly, Steer (Roadside) (Not Shown) Beam Assembly, Steer (Curbside) (Not Shown)
B	Contact Sales	Frame Bracket
C	HNDA-1631-19	Frame Bracket, C-Channel
D	HNDS-24691-BK	Tri-Functional II Bushing Kit
E	HNDS-21099	Bushing Tube Spacer
F	HNDS-24679	Pivot Bolt Kit, Quik-Align
G1	HNDS-20925	Alignment Collars, Eccentric (Outer)
G2	HNDS-20924	Alignment Collars, Concentric (Inner)
H	HNDS-26369	Bushing Tube Spacer Kit
I1	HNDS-21140-4	U-Bolt Kit, 19.5" or Larger Tires
I2	HNDS-22894-4	U-Bolt Kit, 17.5" Tires
J	HNDS-20701	Axle Spacer
K	Contact Sales	Shock Absorbers
L	Contact Sales	Shock Strap Kits
M	HNDS-24024 HNDS-23642 HNDS-21572 HNDS-2157-2	Shock Bolt Kit, Standard Shock Mount Shock Bolt Kit, Standard Shock Mount Lower Shock Bolt Kit, Standard Shock Mount Upper Shock Bolt Kit, Remote Shock Mount
N1	HNDA-5431	Remote Shock Mount, Upper Assembly
N2	HNDS-2723	Remote Shock Mount, Lower Assembly
O	HNDS-20919	Shock Strap Clevis
P	HNDS-2592	Upper Shock Clevis (Not Shown)
Q1	HNDS-21209	Air Spring Mounting Plate, Weld-On, Angled and Frame Clearance
Q2	HNDB-21211	Air Spring Mounting Plate, Bolt-On
R	HNDC-21210-3 HNDC-21210-5	Air Spring Spacer Assembly, Weld-on, Standard Travel, 12" Ride Height Air Spring Spacer Assembly, Weld-on, Standard Travel, 14" RH
R	HNDC-21210-1 HNDC-21210-3 HNDC-21210-5	Air Spring Spacer Assembly, Weld-on, Limited Jounce, 6.5" & 7.5" Ride Height Air Spring Spacer Assembly, Weld-on, Limited Jounce, 9" Ride Height Air Spring Spacer Assembly, Weld-on, Limited Jounce, 12" Ride Height
R	HNDC-21215-3 HNDC-21215-5	Air Spring Spacer Assembly, Bolt-on, Standard Travel, 12" Ride Height Air Spring Spacer Assembly, Bolt-on, Standard Travel, 14" Ride Height
R	HNDC-21215-1 HNDC-21215-3 HNDC-21215-5	Air Spring Spacer Assembly, Bolt-on, Limited Jounce, 6.5" & 7.5" Ride Height Air Spring Spacer Assembly, Bolt-on, Limited Jounce, 9" Ride Height Air Spring Spacer Assembly, Bolt-on, Limited Jounce, 12" Ride Height
S	HNDB-28662	Air Spring Spacer (Not Shown)
T	HNDS-20010-32 HNDS-20223-32 HNDS-20127-24 HNDS-20716 HNDS-20124-32	Air Spring, Standard, 4" Ride Height Air Spring, Standard, 3.5" and 4" Ride Height, High Pressure Air Spring, Standard, 5.5" to 14" Ride Height Air Spring, Standard, 6.5" Ride Height, High Pressure, Short Bellows Air Spring, Standard, 7.5" to 14" Ride Height, High Pressure
T	HNDS-20414 HNDS-20413	Air Spring, Rotated, 5.5" to 14" Ride Height Air Spring, Rotated, 7.5" to 14" Ride Height, High Pressure
U	HNDS-20033-2	Air Spring Mounting Kit

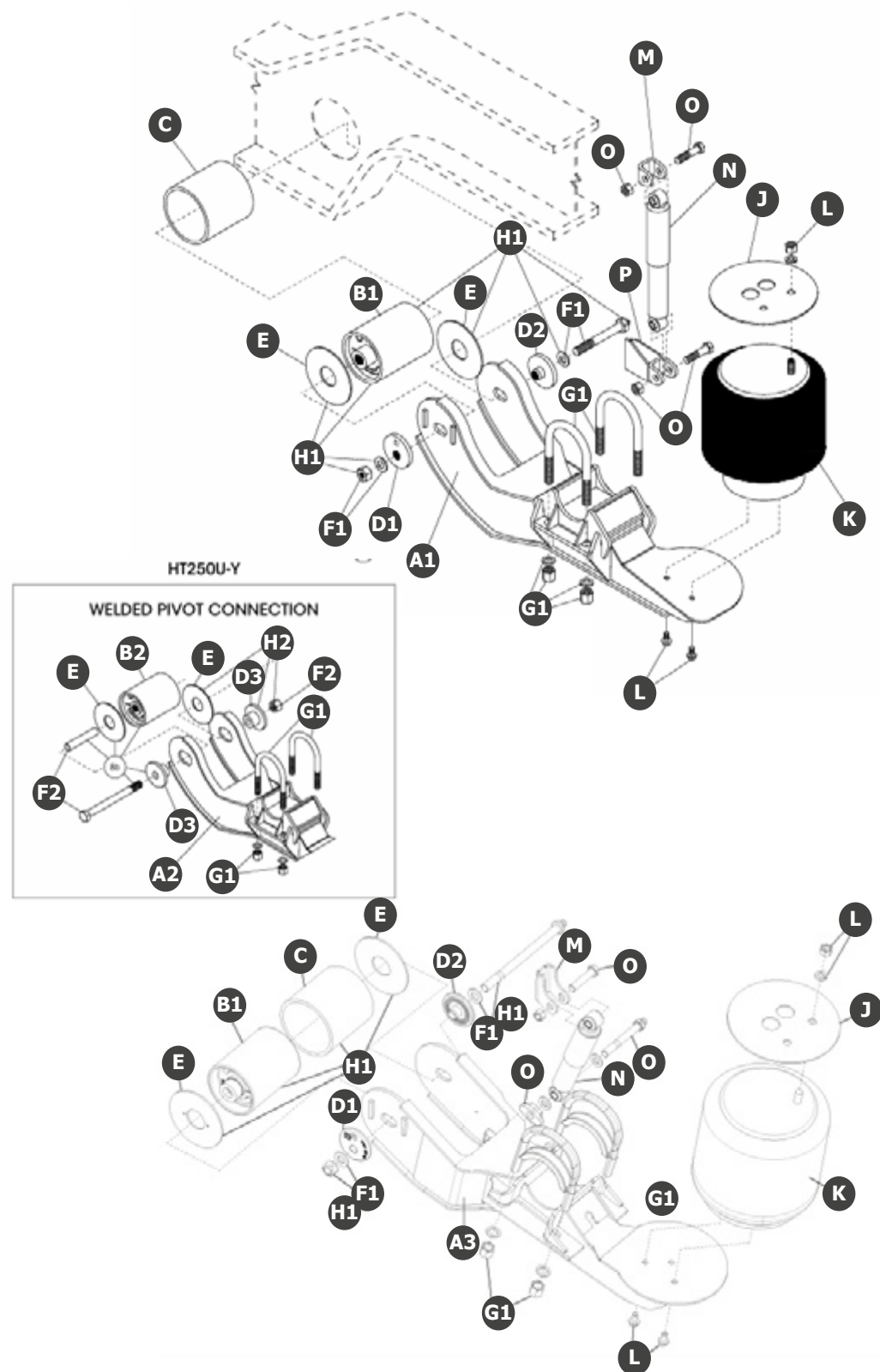
Bushing Installation Tool
HNDS-21307
Wide Bushing



Note: Bushing tool HNDS-21307 is required to correctly re-bush the suspension.



HT250Y



HT250Y Bill of Materials

Item	Part Number	Description	Model Number
A1	HNDS-22350-3 HNDS-22350-4	Beam Assembly, Quik-Align, Roadside Beam Assembly, Quik-Align, Curbside	HT250YB
A2	HNDS-21076-1 HNDS-21076-2	Beam Assembly, Welded Alignment, Roadside Beam Assembly, Welded Alignment, Curbside	HT250U-Y
A3	HNDS-30873-1 HNDS-30873-2	Beam Assembly, Quik-Align, Roadside Beam Assembly, Quik-Align, Curbside	HT250YS
B1	HNDS-30862	Bushing Assembly, Quik-Align	HT250YB, HT250YS
B2	HNDS-7343	Bushing Assembly, Welded Alignment	HT250U-Y
C	HNDS-7342	Tube Sleeve	All Models
D1	HNDS-20925	Alignment Collar, Eccentric Washer, Quik-Align	HT250YB, HT250YS
D2	HNDS-20924	Alignment Collar, Concentric Washer, Quik-Align	HT250YB, HT250YS
D3	HNDS-7349	Alignment Collar, Welded Alignment	HT250U-Y
E	HNDS-21099	Bushing Tube Spacer	All Models
F1	HNDS-25948	Pivot Bolt Kit, Quik-Align	HT250YB, HT250YS
F2	HNDS-7345	Pivot Bolt Kit, Welded Alignment	HT250U-Y
G1	HNDS-3650-4	U-Bolt Kit, RD	HT250U-Y, HT250YB
G2	Contact Sales	Flattened U-Bolt/Spacer Kit (Not Shown)	HT250YS with 12.25" Brakes Only
G3	HNDS-21140-4	U-Bolt Kit (Not Shown)	HT250YS with 16.5" Brakes Only
H1	HNDS-26000	Tri-Functional II Bushing Kit, Quik-Align	HT250YB, HT250YS
H2	HNDS-13136	Tri-Functional II Bushing Kit, Welded Alignment	HT250U-Y
I	HNDS-26371	Bushing Tube Spacer Kit (Not Shown)	HT250U-Y
J	HNDS-21209	Air Spring Plate, All Models	All Models
K	HNDS-20127-24 HNDS-20414 HNDS-20124-32 HNDS-20413	Air Spring, Standard, All Models Air Spring, Rotated Stud, All Models Air Spring, High Pressure, Standard, All Models Air Spring, High Pressure, Rotated	All Models All Models All Models HT250YS
L	HNDS-20033-2	Air Spring Bolt Kit, All Models	All Models
M	HNDS-2592 HNDS-20113	Upper Shock Clevis, Standard, All Models Upper Shock Clevis, For use with Shock Straps (Not Shown)	All Models
N	HNDS-20002 HNDS-23651 HNDS-21553 HNDS-23649	Shock Absorber, Standard Shock Absorber, Standard Shock Absorber, Extended Service, High Damping Shock Absorber, Remote Shocks	HT250U, HT250YB HT250YS HT250U, HT250YB HT250YB
O	HNDS-2157-2 HNDS-31929-2	Shock Absorber Bolt Kit Shock Absorber Bolt Kit	HT250U-Y, HT250YB HT250YS
P	HNDS-20145-1 HNDS-20145-2 HNDS-2723	Lower Shock Clevis, Roadside Lower Shock Clevis, Curbside Lower Shock Clevis, Remote Axis Mount	HT250U-Y, HT250YB HT250U-Y, HT250YB HT250YB
Q	HNDS-14587-1 HNDS-14587-8 HNDS-23086-4	Shock Strap Kit for S-20002 Shock Absorber (Not Shown) Shock Strap Kit for S-21553 Shock Absorber (Not Shown) Shock Strap Kit for S-23651 Shock Absorber (Not Shown)	

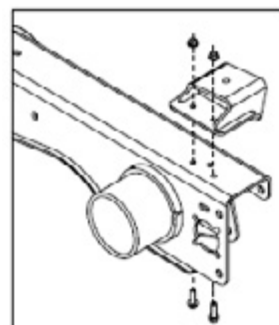
Bushing Installation Tool
HNDS-21307
Wide Bushing



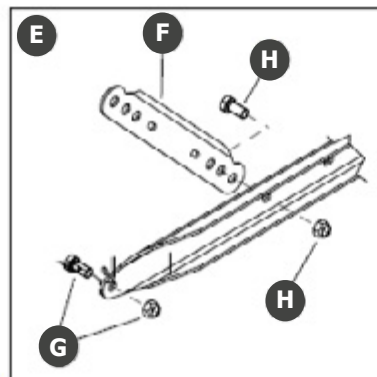
Note: Bushing tool HNDS-21307 is required to correctly re-bush the suspension.



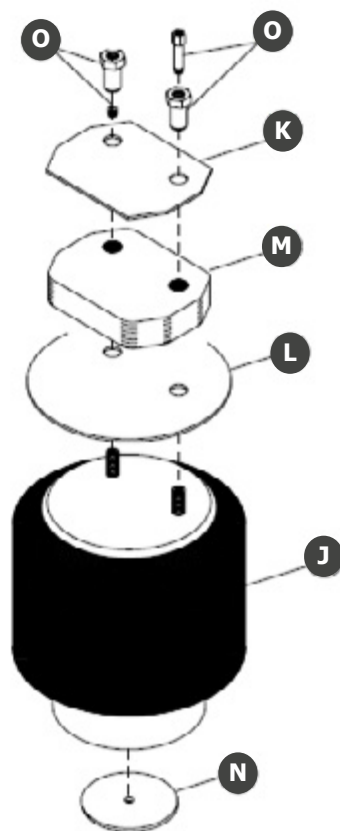
Intraax



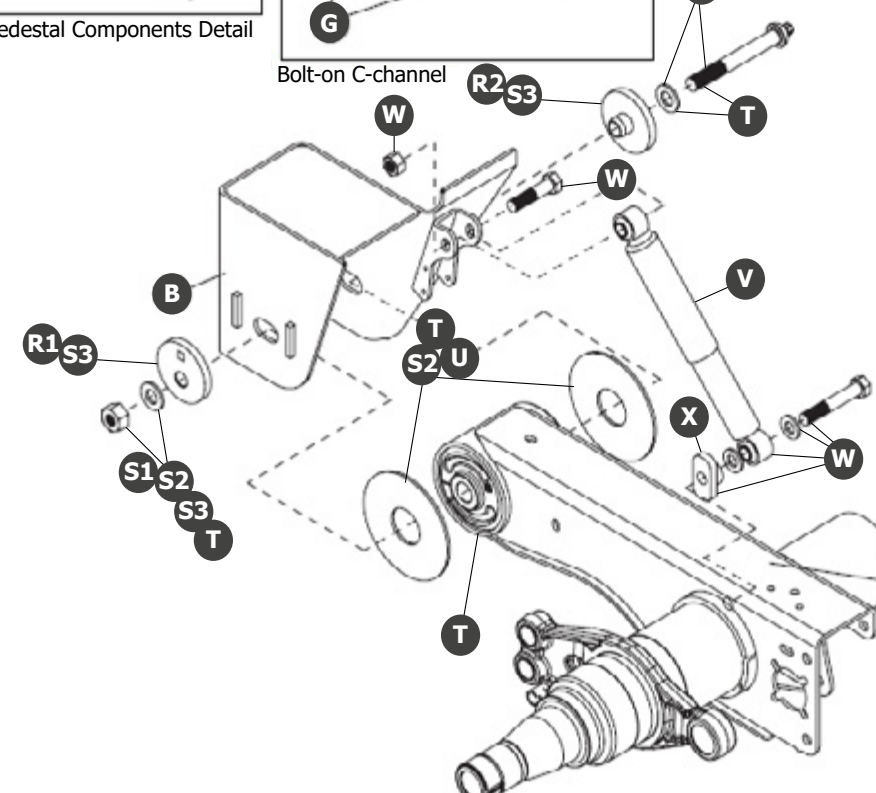
Pedestal Components Detail



Bolt-on C-channel



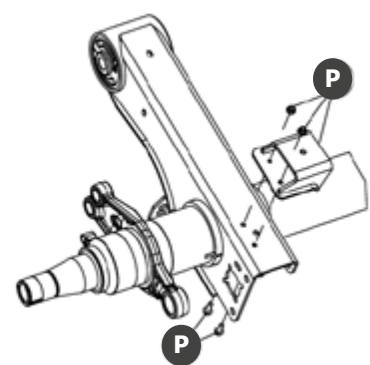
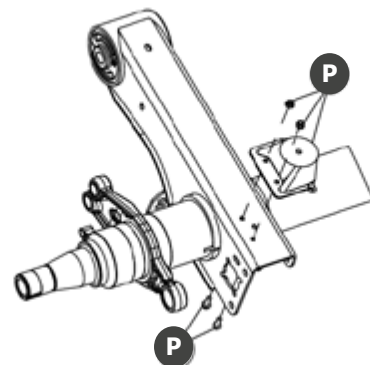
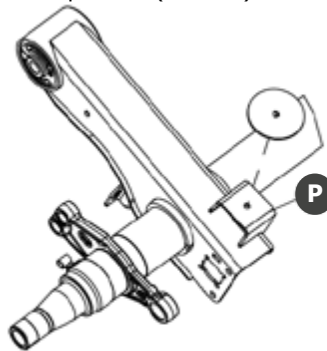
LDA Axle, cast pedestal



Five inch axle, weld-on pedestal (obsolete)

LDA Axle, cast pedestal

LDA Axle, fabricated pedestal



Intraax Bill of Materials

Item	Part Number	Description
A	Contact Sales	Axle/Beam Weldment
B	Contact Sales	Frame Bracket
C	HNDS-27330	Frame Bracket Gusset, 13.5"-19" Ride Height (Not Shown)
D	HNDB-2347-7	Frame Bracket Brace, 16"-17" Ride Height (Not Shown)
E	HNDS-31901-3C HNDS-31901-1C	Bolt-On C-Channel Kit, 71.5" Track Bolt-On C-Channel Kit, 77.5" Track
F	Contact Sales	Strut
G	HNDS-29822	C-Channel Bolt Kit
H	HNDS-30720	Strut Bolt Kit
I	HNDA-1631-19 HNDA-1631-35	Weld-On C-Channel, 71.5" - 77.5" Tracks, 13.5"-19" Ride Height (Not Shown) Weld-On C-Channel, 83.5" - 85" Tracks, 13.5"-19" Ride Height (Not Shown)
J	HNDS-21800-48 HNDS-20901-48 HNDS-25873	Air Spring, AAT 23K Model, 13.5"-19" Ride Height Air Spring, AAT 25K Model, 13.5"-19" Ride Height Air Spring, AAT 30K Model, 13.5"-19" Ride Height
K	HNDS-20905 HNDB-21145	Air Spring Mounting Plate, Weld-On, 12" - 19" Ride Height Air Spring Mounting Plate, Bolt-On, 13.5" - 19" Ride Height
L	HNDS-23294	Air Spring Flex Plate (30K Models Only, 5" Axle)
M	HNDS-22510-1 HNDS-22510-2 HNDS-22510-3	Air Spring Spacer, 5" Axle, 15" Ride Height, 1-1/8" Thick Spacer Air Spring Spacer, 5" Axle, 16" Ride Height, 1-7/8" Thick Spacer Air Spring Spacer, 5" Axle, 17" Ride Height, 3-1/8" Thick Spacer
N	HNDS-21786	Air Spring Bottom Disc (5" Axle)
O	HNDS-22619-2 HNDS-22630-2 HNDS-22619-2 HNDS-22631-2	Air Spring Mounting Kits, 5" and LDA, 13.5", 14", and 15" Ride Height Air Spring Mounting Kits, 5" and LDA, 16" and 18" Ride Height Air Spring Mounting Kits, 5" and LDA, 17" Ride Height Air Spring Mounting Kits, 5" and LDA, 19" Ride Height
P	Contact Sales	Air Spring Pedestal Kits
Q	Contact Sales	Air Spring Spacer Assembly (Not Shown)
R1	HNDS-20925	Alignment Collars, Eccentric (Outer)
R2	HNDS-20924	Alignment Collars, Concentric (Inner)
S1	HNDS-24679 HNDS-24705	Quik-Align Pivot Bolt Kit, Wide Quik-Align Pivot Bolt Kit, Narrow
S2	HNDS-26369	Quik-Align Pivot Bolt Kit with Bushing Tube Spacers, Standard or Off-Highway
S3	HNDS-24680	Quik-Align Pivot Bolt Kit with Alignment Collars
T	HNDS-24691-BK HNDS-26321	Tri-Functional Bushing Kit, Wide Tri-Functional Bushing Kit, Narrow
U	HNDS-21099	Bushing Tube Spacers, Standard
V	Contact Sales	Front Shock Absorber
W	Contact Sales	Shock Absorber Bolt Kit
X	HNDS-41186-1	Shock Spacer

Note: Bushing tool HNDS-21307 is required to correctly re-bush the suspension for wide bushings. Bushing tool HNDS-24736 is required to correctly re-bush the suspension for narrow bushings.

Bushing Installation Tool

HNDS-21307

Wide Bushing

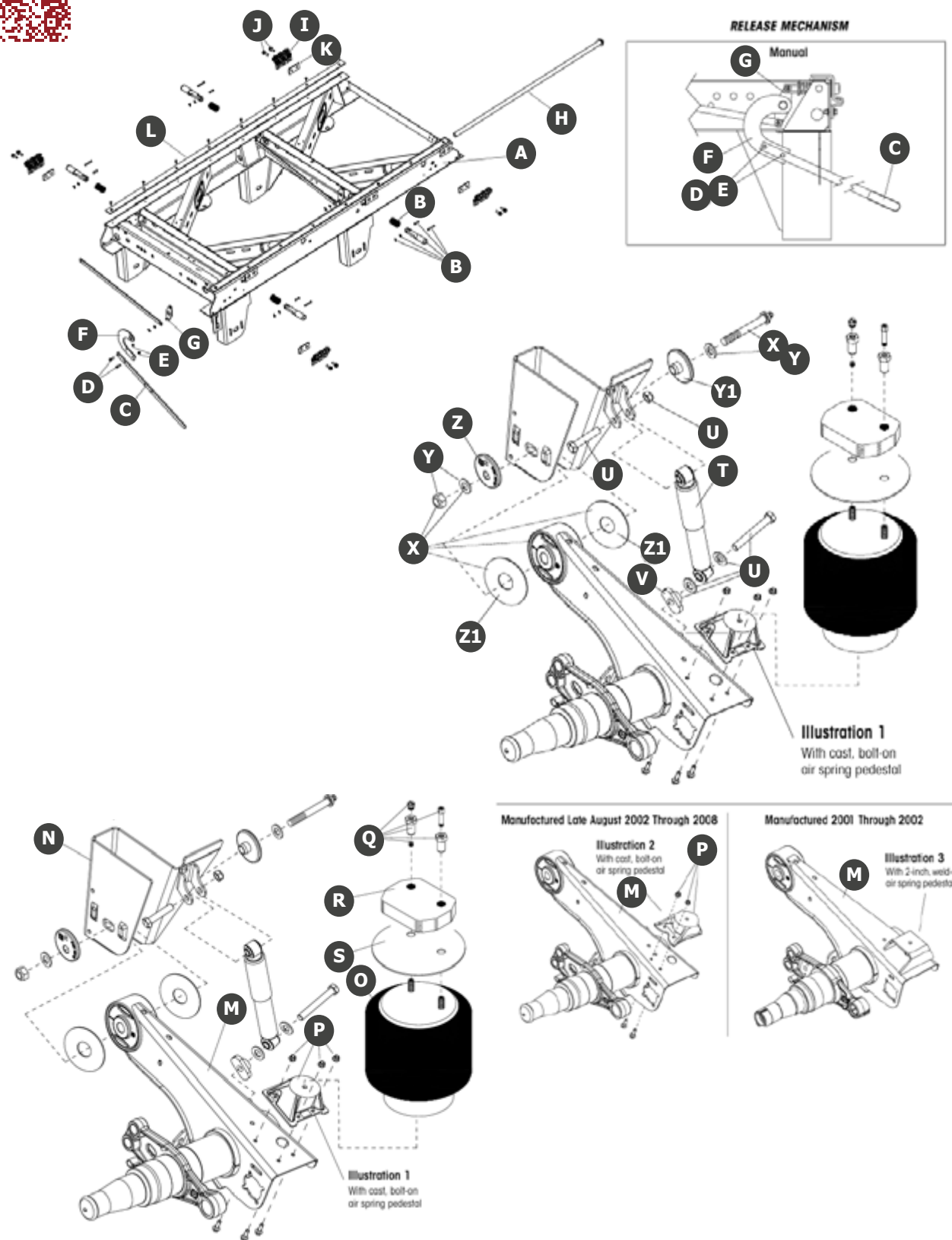


HNDS-24736

Wide Bushing



Vantraax



Complete Assemblies

Part Number	Description
HNDAMBOX.1089	Slider Box HKANT Hutch R Assembly w/ Tank Bracket Quick Draw
HNDAMBOX.127	Slider Box HKANT Hutch RA Assembly w/ .18 SHIMS Quick Draw
HNDAMBOX.1327	Slider Box HKANT Hutch Assembly, Narrow Bush Quick Draw
HNDAMBOX.22	Slider Box HKANT40 Binkley RAI Assembly, Narrow Quick Draw
HNDAMBOX.716	Slider Box HKANT Binkley Assembly w/ Tank Bracket Quick Draw
HNDAMBOX.98	Slider Box HKA40K Assembly, Quick Draw Narrow Bushing
HNDAMBOX.1106	Slider Box HKAT46K, 48" Width, Quick Draw Binkley Style, 17" Ride Height
HNDAMBOX.53	Slider Box HKAT46, 48" Width, Manual Binkley Style, 16" Ride Height
HNDAMBOX.1467	Slider Box HKANT40, 48" Width, Quick Draw TTMA Style, 15" Ride Height
HNDAMBOX.1089	Slider Box HKANT40, 48" Width, Quick Draw Hutch Style w/ Tank Brackets, 16" Ride Height
HNDAMBOX.1535	Slider Box HKANT40, 48" Width, Quick Draw Hutch Style w/o SHIMS, 16" Ride Height
HNDAMBOX.1327	Slider Box HKANT40, 48" Width, Quick Draw Hutch Style, 16" Ride Height
HNDAMBOX.98	Slider Boc HKANT40, 48" Width, Quick Draw Hutch Style, 16" Ride Height
HNDAMBOX.127	Slider Box HKANT40, 48" Width, Quick Draw Hutch Style .18" Shims Hyundai

Vantraax Bill of Materials

Item	Part Number	Description
A	Contact Sales	Aftermarket Slider Box Replacement
B	Contact Sales	Quik-Draw Components
C	HNDB-22923 HNDB-21505	Handle Assembly, 4 Holes Handle Assembly, 2 Holes
D	HNDSA-1100-30	Handle Bolt, 2-3/8"-16 x 1-1/4", Hex Head Bolt, GR5
E	HNDSA-9000-5	Handle Nut, 2-3/8"-16, Lock Nut, GRB
F	HNDC-21275	Handle Mount, Manual
G	HNDB-33010	Crank Arm Weldment
H	HNDS-21433	Pipe Weldment, Manual
I	HNDB-22459 HNDB-24460	Body Rail Clip, 3.4" Clip Height Body Rail Clip, 3.8" Clip Height
J	HNDSA-6900-2	Body Rail Bolt, 1/2"-13" x 1-1/2", Flanged Bolt
K	Contact Sales HNDA-22367	Body Rail Clip Spacer, 1.5" Clip Hole Centers Body Rail Clip Spacer, 2" Clip Hole Centers
L	HNDS-14342-3	Slider Wear Pad Kit
M	Contact Sales	Axle/Beam Weldment
N	Contact Sales	Frame Bracket
O	See Springs on pg. 241	Air Spring
P	Contact Sales	Cast Air Spring Pedestal Kit
Q	Contact Sales	Air Spring Mounting Kit
R	Contact Sales	Air Spring Spacer
S	HNDS-27042	Air Spring Mounting Plate
T	HNDS-24088	Shock Absorber
U	HNDS-24049-2	Shock Bolt Kit
V	HNDS-41186-1	Shock Spacer
W	HNDS-23086-1	Shock Strap Kit (Not Shown)
X	HNDS-26321	Tri-Functional Pivot Bushing Kit
Y	HNDS-24705	Quik-Align Pivot Bolt Kit
Z	HNDS-20924 HNDS-20925	Quik-Align Alignment Collars, Concentric (Inner) Quik-Align Alignment Collars, Eccentric (Outer)
Z1	HNDS-26807	Bushing Tube Spacer

Hutch-Style Body Rails

HTH1271309

Overall Length: 192"

HTH1271328

Overall Length: 208"

HTH1271314

Overall Length: 216"

HTH1271317

Overall Length: 240"

Hole Size: 1.832" for 1-5/8"
Pins 4" Hole C-C

SAF Holland Body Rails

SAFSL0854-05

Length: 248", Binkley, Painted

SAFSL0854-20

Length: 296", Binkley, Painted

SAFSL0A1203-13

Length: 216", Great Dane, Painted

Hole Size: 1.56" for 1-3/8" Pins
6" Hole C-C

Bushing Installation Tool

HNDS-24736

Narrow Bushing



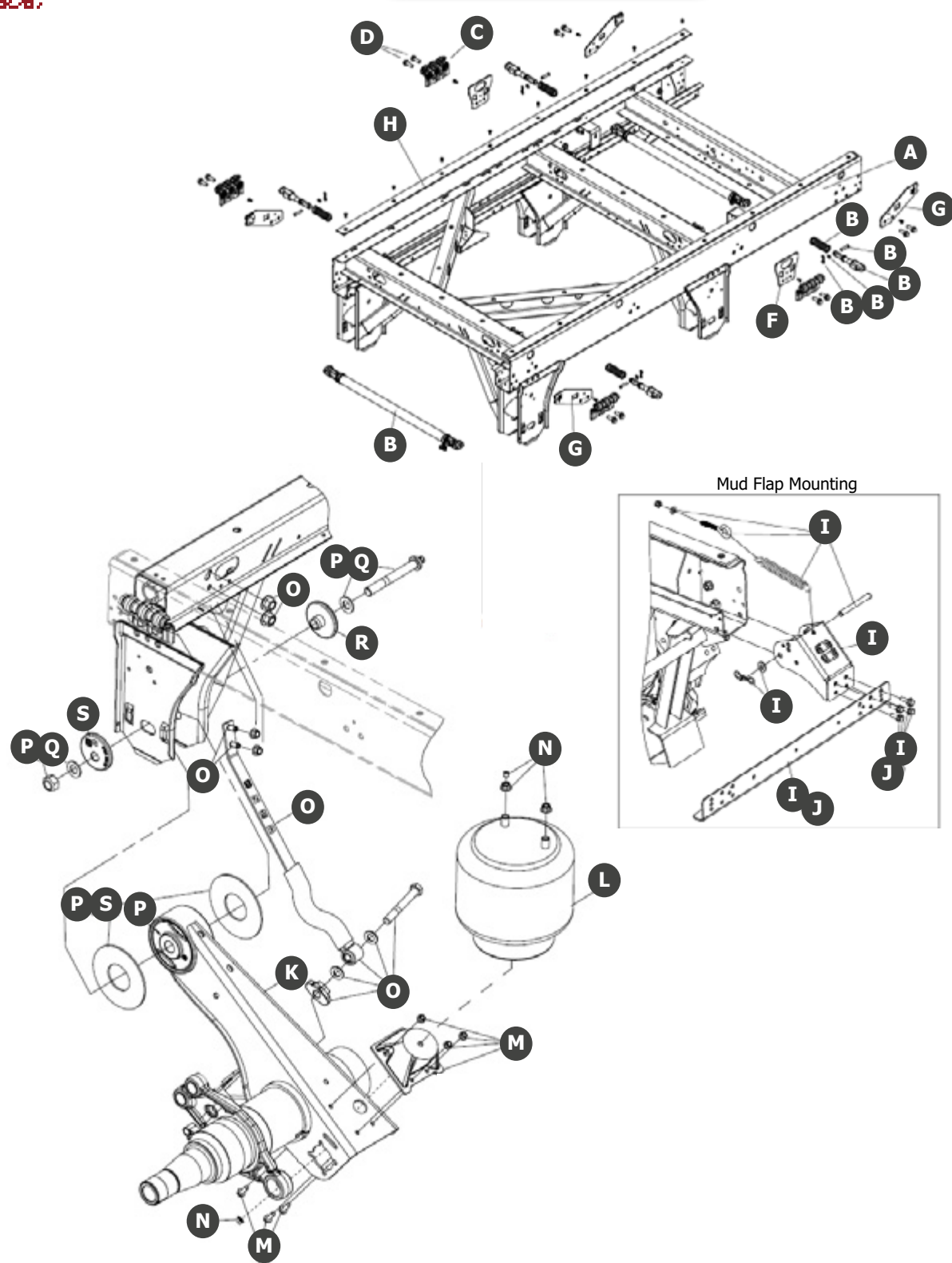
Note: Bushing tool HNDS-24736 is required to correctly re-bush the suspension.



Ultraa-K



49" Axle Spacing



Ultraa-K Bill of Materials

Item	Part Number	Description
A	Contact Sales	Aftermarket Slider Box Replacement
B	Contact Sales	Quik-Draw Components
C	HNDS-24459 HNDS-24460	Body Rail Clip, 3.4" Clip Height Body Rail Clip, 3.8" Clip Height
D	HNDSA-6900-2	Body Rail Bolt, 1/2"-13" x 1-1/2" Flanged Bolt
E	Contact Sales HNDA-22367	Body Rail Clip Spacer, 1.5" Clip Hole Centers (Not Shown) Body Rail Clip Spacer, 2" Clip Hole Centers (Not Shown)
F	HNDS-34860 HNDS-34859	Bolt-On Shim, .188" Thickness, 4" & 6" Body Rail Hole Spacing Bolt-On Shim, .232" Thickness, 4" & 6" Body Rail Hole Spacing
G	HNDS-34821-1 HNDS-34821-2 HNDS-35761-1 HNDS-35761-2	Bolt-On End Stop, .188" Thick, Roadside Front Rail & Curbside Rear Rail Bolt-On End Stop, .188" Thick, Curbside Front Rail & Roadside Rear Rail Bolt-On End Stop, .232" Thick, Roadside Front Rail & Curbside Rear Rail Bolt-On End Stop, .232" Thick, Curbside Front Rail & Roadside Rear Rail
H	HNDS-14342-3	Slider Wear Pad Kit
I	HNDS-34886	Mud Flap Bracket Kit
J	HNDS-35021	Mud Flap Angle Kit
K	Contact Sales	Halftraax Axle/Beam Weldment
L	HNDS-34733 HNDS-38000	ZMD Air Spring, Straight Piston ZMD Air Spring, Flared Piston
M	HNDS-27447-1	Cast Air Spring Pedestal Kit
N	HNDS-22619-2	Air Spring Mounting Kit, 16" RH
O	HNDS-40231-1	ZMD Down Stop Kit
P	HNDS-26321	Tri-Functional Pivot Bushing Kit
Q	HNDS-24705	Quik-Align Pivot Bolt Kit
R	HNDS-20924 HNDS-20925	Quik-Align Alignment Collars, Concentric (Inner) Quik-Align Alignment Collars, Eccentric (Outer)
S	HNDS-26807	Bushing Tube Spacer
T	HNDS-35310	Alignment Slot Repair Kit (Not Shown)
U	HNDS-24883	Air Tank Bracket Kit (Not Shown)
V	HNDVS-33704-3 HNDVS-33705-3 HNDVS-33703-3 HNDVS-33704-1 HNDVS-33705-1 HNDVS-33703-1	Height Control Valve Kits, Valves with Fittings (Not Shown) Height Control Valve Kits, HCV with Dump (Not Shown) Height Control Valve Kits, HCV with DST (Not Shown) Height Control Valve Kits, Link and Valves with Fittings (Not Shown) Height Control Valve Kits, HCV with Dump (Not Shown) Height Control Valve Kits, HCV with DST (Not Shown)
W	HNDVS-33702-1	Fixed Link Assembly (Not Shown)
X	HNDS-41186-1	Shock Spacer (Not Shown)

Note: Bushing tool HNDS-24736 is required to correctly re-bush the suspension.

Hutch-Style Body Rails

- HTH1271309
Overall Length: 192"
 - HTH1271328
Overall Length: 208"
 - HTH1271314
Overall Length: 216"
 - HTH1271317
Overall Length: 240"
- Hole Size: 1.832" for 1-5/8"
Pins 4" Hole C-C

SAF Holland Body Rails

- SAFSL0854-05
Length: 248", Binkley, Painted
 - SAFSL0854-20
Length: 296", Binkley, Painted
 - SAFSL0A1203-13
Length: 216", Great Dane, Painted
- Hole Size: 1.56" for 1-3/8" Pins
6" Hole C-C

Bushing Installation Tool

HNDS-24736
Narrow Bushing



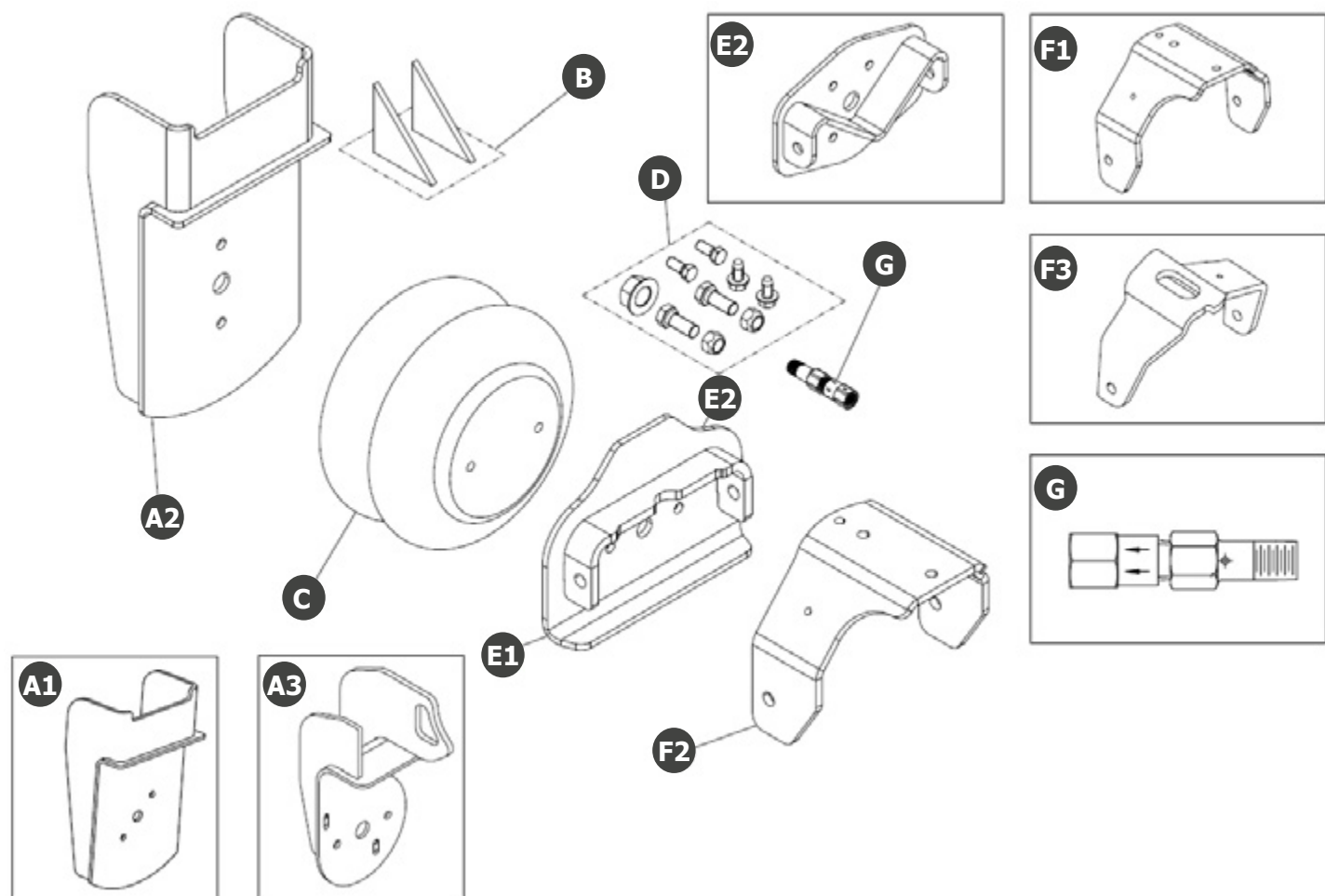


Under Beam Lift (UBL)



UBL-001, UBL-002, UBL-003, UBL-004 (Weld-on)

- Intraax AAT 23/25/30K
- Intraax AAL 23/25K
- Intraax AAEDT 30K
- Intraax AAEDL 30K
- Intraax AANT 23K
- HT Series HT230T/HT300T
- HT Series HT250T



Complete Assemblies

Part Number	Description
HNDUBL-001	Under Beam Lift Kit, Top Mount, AAT HT230 HT300
HNDUBL-002	Under Beam Lift Kit, AAL23/25K AAEDT30K/HT250T

Under Beam Lift (UBL) Bill of Materials

Item	Part Number	Description	Notes
A1	HNDD-23301C	Frame Bracket, UBL-001	AAT, HT230T and HT300T models; Primer
A2	HNDD-24658C	Frame Bracket, UBL-002 & UBL-003	AAL, AAEDT, AAEDL and HT250T models; Primer
A3	HNDC-28610-1C	Frame Bracket, UBL-004	AANT models; Primer
B	HNDS-2901-37	Gusset	Not for use with UBL-004
C	HNDS-23114-40	Air Spring	
D	HNDS-24614-2	Lift Assembly Bolt Kit	Includes (2) 1/2" bolts, (2) 3/8" bolts, (2) self-tapping screws (Not for use with AANT), (2) prevailing torque hex nuts and (1) hex nut.
E1	HNDS-27945	Lift Spring Plate Assembly, UBL-001, UBL-002, & UBL-003	AAT, AAL, AAEDT, AAEDL, HT230T, HT250T, & HT300T models
E2	HNDC-28614	Lift Spring Plate Assembly, UBL-004	AANT models
F1	HNDC-23299C	Lift Bracket, UBL-001	AAT, HT230T & HT300T; Primer
F2	HNDS-28537	Lift Bracket, UBL-002 & UBL-003	AAL, AAEDL, AAEDT and HT250T models; Primer
F3	HNDC-28617-1	Lift Bracket, UBL-004	AANT models
G	HNDVS-27214	Crossover Valve	Recommended for AAL 30K, AAEDL 30K and HT250T models

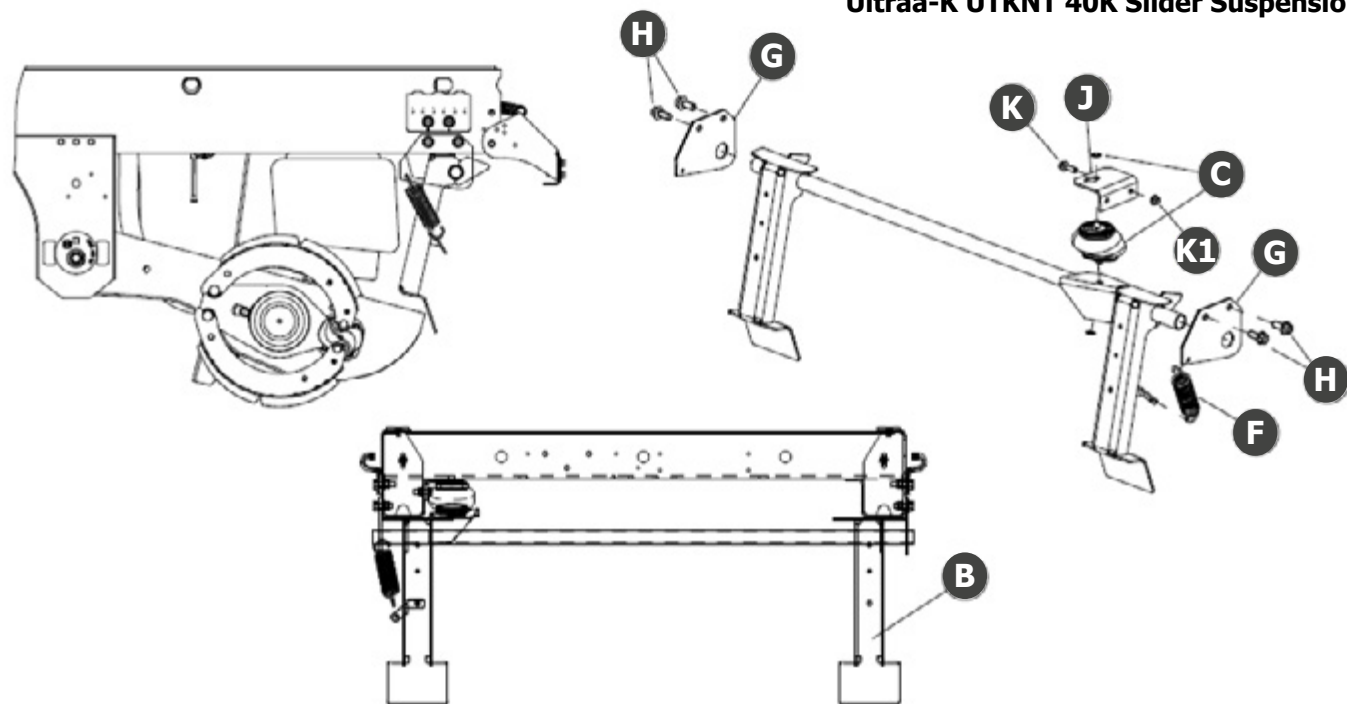
Product Family	Suspension	UBL Kit	Attachment		Coating		Comments
			Weld-On	Bolt-On	Painted	Galvanized	
Intraax	AAT 23/25/30K	UBL-001	X		X		Recommended for lifting in unloaded conditions only
		UBL-101		X	X		
		UBL-102		X		X	
	AAT 23/25/30K AAEDT 30K	UBL-002	X		X		Approved for lifting in loaded and unloaded condition
		UBL-201		X	X		
	AAL 30K AAEDL 30K	UBL-003	X		X		Approved for lifting in loaded and unloaded condition; includes crossover valve
		UBL-301		X	X		
		UBL-302		X		X	
	AANT	UBL-004	X		X		Recommended for lifting in unloaded conditions only
		UBL-401		X	X		
		UBL-402		X		X	
		UBL-005		X	X		
AANL	UBL-005GV		X		X	Approved for lifting in loaded and unloaded condition	
			X				
Intraax SP	AAZNT 23K, 46K AAZNT 69K23	UBL-401		X	X		
	AAZL23K, 46K	UBL-201		X	X		
HT Series	HT230/300	UBL-001	X		X		Recommended for lifting in unloaded conditions only
		UBL-002	X		X		
	HT250T	UBL-003	X		X		Approved for lifting in loaded and unloaded condition; includes crossover valve
Connex ST	CXSL 25K	UBL-201/202		X	X	X	Approved for lifting in loaded and unloaded condition
Vantraax	HKANL	UBL-005		X	X		
	HKAT	UBL-101		X	X		
	HKAL, HKARL	UBL-201		X	X		
	HKANT (Units built before Oct. 2016)	UBL-401		X	X		
	HKANT (Units built after Oct. 2016)	UBL-601		X	X		
UBL-602			X		X		



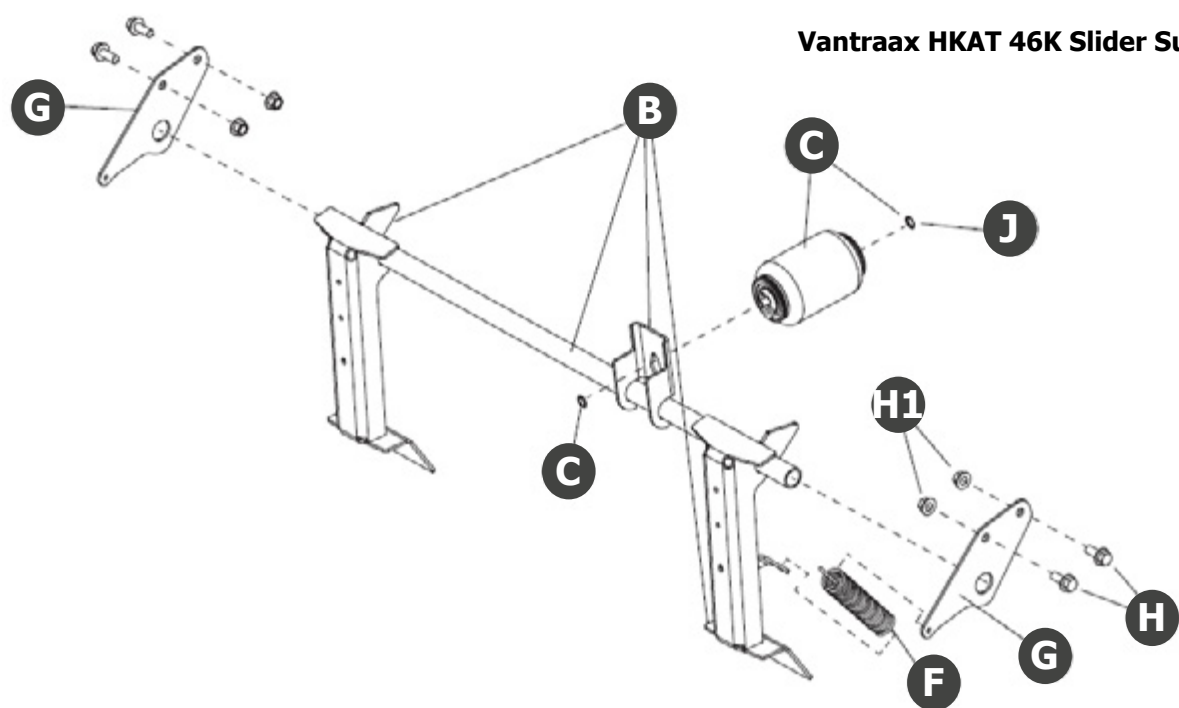
Surelok



Ultraa-K UTKNT 40K Slider Suspension



Vantraax HKAT 46K Slider Suspension



Complete Assemblies

Part Number	Description
HNDSLKAB.3	Surelok Kit Narrow/Long Beam Ultraa-K 40K, 48" Box, 16" Ride Height
HNDSLKP.11	Surelok Kit Narrow/Long Beams with .18" Shims, 48" Box, 16" Ride Height
HNDSLKP.6	Surelok Kit Retrofit, 48" Box, 16" Ride Height

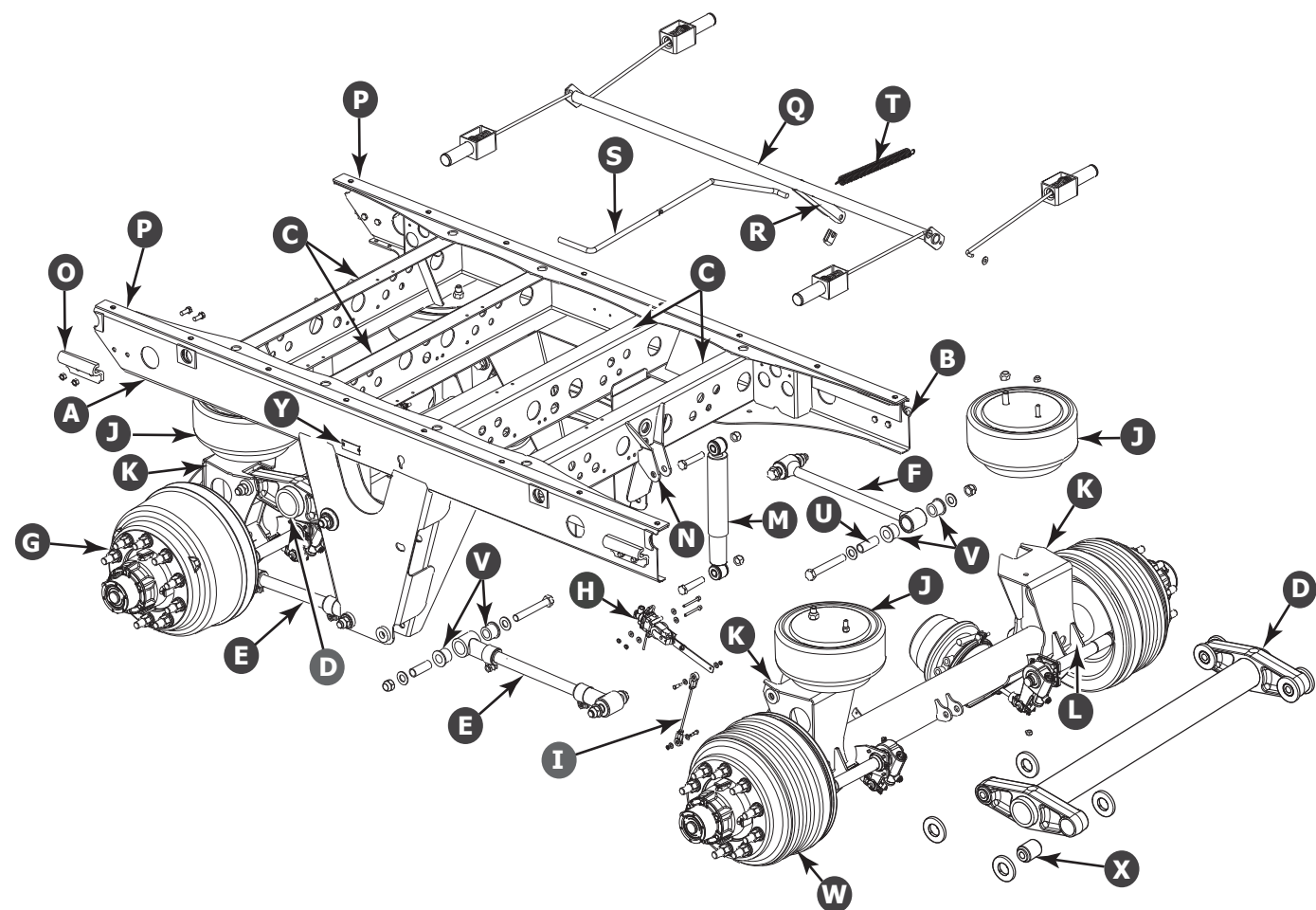
Surelok Bill of Materials

Item	Part Number	Description
Ultraa-K UTKNT 40K Slider Suspension		
A	Contact Sales	Surelok Retrofit Kit (Not Shown)
B	HNDS-31763-1C	Ride Height Rock Assembly, 48" Box, 16" RH
C	HNDS-25593	Air Spring Actuator Assembly
D	HNDS-27653-1 HNDS-27653-2	Beam Extension Weldments, Roadside (Not Shown) Beam Extension Weldments, Curbside (Not Shown)
E	HNDS-25516	Restraint Bolt Kit (Not Shown)
F	HNDB-26597	Spring, 1.50" x 6.63" x 0.177"
G	Contact Sales	Shaft Bracket
H	Contact Sales	Mounting Hardware for Bracket, 1/2"-13" Flanged Screw
I	HNDA-24482-1	Speed Nut (Not Shown)
J	HNDS-31765	Actuator Bracket
K	HNDSA-6900-5	Actuator Bracket Hardware, 3/8"-16" Flanged Screws
K1	HNDSA-7000-3	Actuator Bracket Hardware, 3/8"-16" Flanged Nut
Vantraax HKAT 46K Slider Suspension		
A	Contact Sales	Surelok Retrofit Kit
B	Contact Sales	Ride Height Lock Assembly
C	HNDS-25593	Air Spring Actuator Assembly
D	HNDD-27653-1 HNDD-27653-2	Beam Extension Weldments, Roadside (Not Shown) Beam Extension Weldments, Curbside (Not Shown)
E	HNDS-25516	Restraint Bolt Kit (Not Shown)
F	HNDB-26597	Spring, 1.35" x 6.125" x 0.177" (Units shipped before May 1999) Spring, 1.27" x 4.40" x 0.148" (Units shipped between May 1999 and Dec. 2001) Spring, 1.50" x 6.63" x 0.177" (Units shipped after Dec. 2001)
G	HNDS-36137	Shaft Bracket
H	Contact Sales	Mounting Hardware for Shaft Bracket, 1/2"-13" Flanged Screw
H1	HNDSA-7000-1	Mounting Hardware for Shaft Bracket, 1/2"-13" Flanged Nut
I	HNDSA-7000-3 HNDSA-6900-5	Mounting Hardware for Brake Chamber, 3/8"-16" Flanged Nut (Not Shown) Mounting Hardware for Brake Chamber, 3/8"-16" Flanged Screw (Not Shown)
J	HNDA-24482-1	Speed Nut



RHP11

49" Axle Spacing



Complete Assemblies

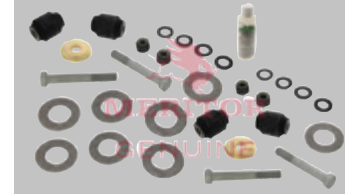
Part Number	Description
MERA7420E1045	RHP11 Slider, 48" FW, 16.5" Ride Height

Repair Kits

Part Number	Description
MERKIT11305	RHP/MPA Control Arm Assembly, 17-1/4" Length
MERKIT11300	RHP11 Control Arm Bushing & Bolt Kit (See Breakout)
MERKIT11102	RHP11 Low Control Arm Bolt Kit w/ Bushing (See Breakout)
MERKIT11320	RHP11 Bushing/Bolt Kit (See Breakout)

MERKIT11300

Control Arm Bushing & Bolt Kit, including:
 4 Bolts, 7/8-9 x 6 Long
 8 Washers, 7/8 ID
 4 Nuts, 7/8-9
 8 Thrust Washers
 4 Bushings, Rubber
 2 Alignment Washers, 3 OD x 7/8 ID



MERKIT11102

Control Arm Bushing & Bolt Kit, including:
 4 Bolts, 7/8-9 x 6 Long
 8 Flat Washers, 7/8 ID
 4 Nuts, 7/8-9
 8 Thrust Washers
 4 Bushings, Rubber
 2 Washers, 3 OD x 7/8 ID



MERKIT11320

Bushing/Bolt Kit, including:
 2 Bushings, Rubber
 4 Thrust Washers
 2 Nuts, 7/8-9
 2 Bolts, 7/8-9 x 6 Long
 4 Flat Washers, 7/8 ID
 1 Suspension - Grease
 2 Washers, 3 OD x 7/8 ID



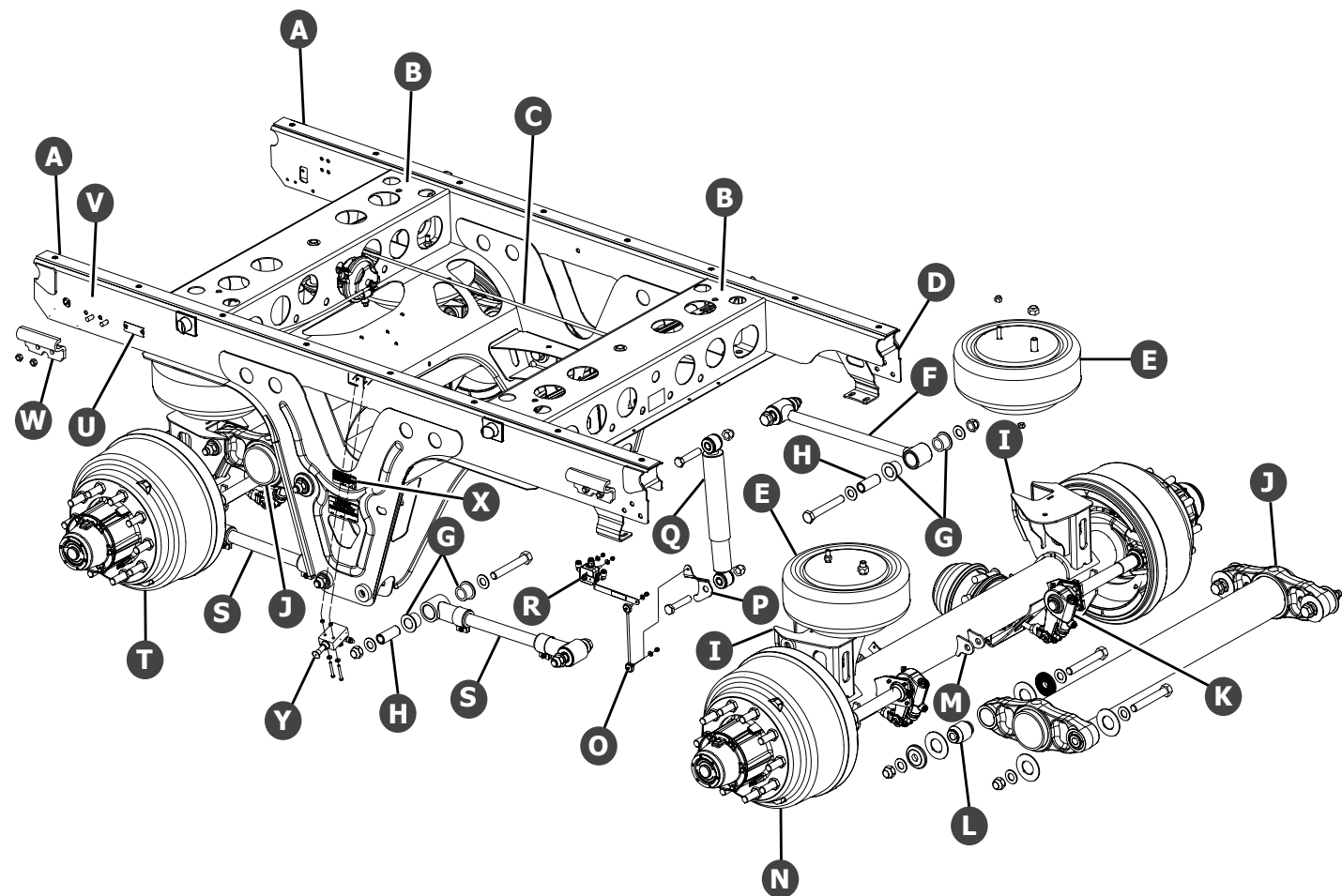
RHP11 Bill of Materials

Item	Part Number	Description
A	Contact Sales	Slider Side Rail, Roadside
B	Contact Sales	Slider Side Rail, Curbside
C	Contact Sales	Slider Cross Member
D	MERKIT11305	Upper Control Arm
E	MERA13133P9688	Lower Control Arm, Adjustable
F	Contact Sales	Lower Control Arm, Fixed
G	Contact Sales	Axle Assembly, Front
H	MERKIT11309	Height Control Air Valve (Hadley 500 Model shown)
I	MER2255D1408	Height Control Linkage
J	MERA2258F1410	Air Spring
K	MERKIT11331	Upper Axle Seat
L	MERKIT11331	Lower Axle Seat
M	MERM85919	Shock Absorber
N	Contact Sales	Clevis, Shock
O	MER2257P1264	Hold Down Clip
P	MERM312508	Slider Wear Pad
Q	MERM306534	EZ-Pull 2 Replacement Kit
R	Contact Sales	Lever Arm
S	MERM306513	Pin Release Handle
T	MERM306512	Tension Spring, Linkage Return Spring
U	Contact Sales	Lower Inner Sleeve, Bushing Inner Metal
V	Contact Sales	Lower Bushing
W	Contact Sales	Axle Assembly, Rear
X	Contact Sales	Upper Bushing
Y	Contact Sales	Suspension Tag



MPA40

49" Axle Spacing



Repair Kits

Part Number	Description
MERKIT11305	RHP/MPA Control Arm Assembly, 17-1/4" Length
MERKIT11300	RHP11 Control Arm Bushing & Bolt Kit (See Breakout)
MERKIT11102	RHP11 Low Control Arm Bolt Kit w/ Bushing (See Breakout)
MERKIT11320	RHP11 Bushing/Bolt Kit (See Breakout)

MPA40 Bill of Materials

Item	Part Number	Description
A	MERM312508	Slider Wear Pad
B	Contact Sales	Slider Cross Member
C	Contact Sales	Meritor PinLoc System
D	Contact Sales	Slider Side Rail, Curbside
E	MERA2258F1410	Air Spring
F	Contact Sales	Lower Control Arm, Fixed
G	Contact Sales	Lower Bushing
H	Contact Sales	Lower Inner Sleeve, Bushing Inner Metal
I	MERKIT11331	Upper Axle Seat
J	MERKIT11305	Upper Control Arm
K	MERKIT11331	Lower Axle Seat
L	Contact Sales	Upper Bushing
M	Contact Sales	Clevis, Shock
N	Contact Sales	Axle Assembly, Rear
O	MER2255D1408	Height Control Linkage
P	Contact Sales	Lower Shock Mounting Bracket
Q	MERM85919	Shock Absorber
R	Contact Sales	Ride Height Control Air Valve
S	Contact Sales	Lower Control Arm, Adjustable
T	Contact Sales	Axle Assembly, Front
U	Contact Sales	Suspension Tag
V	Contact Sales	Slider Slide Rail, Roadside
W	MER2257P1264	Hold Down Clip
X	Contact Sales	PinLoc Operation Label
Y	Contact Sales	PinLoc Control Valve

MERKIT11300

Control Arm Bushing & Bolt Kit, including:
 4 Bolts, 7/8-9 x 6 Long
 8 Washers, 7/8 ID
 4 Nuts, 7/8-9
 8 Thrust Washers
 4 Bushings, Rubber
 2 Alignment Washers, 3 OD x 7/8 ID



MERKIT11102

Control Arm Bushing & Bolt Kit, including:
 4 Bolts, 7/8-9 x 6 Long
 8 Flat Washers, 7/8 ID
 4 Nuts, 7/8-9
 8 Thrust Washers
 4 Bushings, Rubber
 2 Washers, 3 OD x 7/8 ID



MERKIT11320

Bushing/Bolt Kit, including:
 2 Bushings, Rubber
 4 Thrust Washers
 2 Nuts, 7/8-9
 2 Bolts, 7/8-9 x 6 Long
 4 Flat Washers, 7/8 ID
 1 Suspension - Grease
 2 Washers, 3 OD x 7/8 ID





U-Bolt

Part Number	Description	Size	Type
1214264KIT	U-Bolt Kit	3/4x3RDx12-5/8	Round
1214352KIT	U-Bolt Kit	3/4x3RDx13-5/8	Round
1214265KIT	U-Bolt Kit	3/4x3RDx15-5/8	Round
1214353KIT	U-Bolt Kit	3/4x3RDx16-5/8	Round
1214266KIT	U-Bolt Kit	3/4x3RDx18-5/8	Round
1014309KIT	U-Bolt Kit	7/8x3.5RDx15	Round
1014310KIT	U-Bolt Kit	7/8x3.5RDx16	Round
1014350KIT	U-Bolt Kit	7/8x3RDx11	Round
1014264KIT	U-Bolt Kit	7/8x3RDx12	Round
1014352KIT	U-Bolt Kit	7/8x3RDx13	Round
1014353KIT	U-Bolt Kit	7/8x3RDx14	Round
1014265KIT	U-Bolt Kit	7/8x3RDx15	Round
1014355KIT	U-Bolt Kit	7/8x3RDx16	Round
1014358KIT	U-Bolt Kit	7/8x3RDx17	Round
1014266KIT	U-Bolt Kit	7/8x3RDx18	Round
1014267KIT	U-Bolt Kit	7/8x5RDx12	Round
1014269KIT	U-Bolt Kit	7/8x5RDx14.09	Round
1014268KIT	U-Bolt Kit	7/8x5RDx15	Round
1214370KIT	U-Bolt Kit	3/4x3.19SQx11.38	Square
1214356KIT	U-Bolt Kit	3/4x3SQx10	Square
1214354KIT	U-Bolt Kit	3/4x3SQx12-1/8	Square
1014274KIT	U-Bolt Kit	7/8x5SQx15	Square



Square U-Bolt Kit
1214354KIT



Round U-Bolt Kit
1014352KIT

Air Springs

Fleetcraft	Continental	Firestone	Hendrickson		
--	CT65807	W01-358-0783	--		
--	CT64284	W01-358-7555	--		
FC108050	CT64254	W01-358-8050	--		
FC108091	CT64421	W01-358-8091	HNDS-20901-48		
FC108204	CT64456	W01-358-8204	--		
FC108708	CT64638	W01-358-8708	HNDS-21966-48		



Fleetcraft	Continental	Firestone	Hendrickson		
FC108709	CT64645	W01-358-8709	HNDS-21800-48		
FC108713	CT64636	W01-358-8713	HNDS-22948-48		
FC108729	CT75741	W01-358-8729	--		
FC108755	CT64397	W01-358-8755	HNDS-22045-48		
--	CT65593	W01-358-8774	HNDS-25873		
--	CT66666	W01-358-8864	--		

Fleetcraft	Continental	Firestone	Hendrickson		
FC109082	CT64269	W01-358-9082	--		
FC109270	CT64287	W01-358-9270	HNDS-20010-32		
--	CT64439	W01-358-9307	--		
FC109580	CT64394	W01-358-9580	HNDS-20127-24		
--	CT64395	W01-358-9640	HNDS-20223		
FC109780	CT67473	W01-358-9780	--		



Fleetcraft	Continental	Firestone	Hendrickson		
FC109807	CT68151	W01-358-9807	--		
FC109974	CT67586	W01-358-9974	--		
FC109978	CT67588	W01-358-9978	HNDS-28929-48		
FC101191	CT73746	W01-358-1191	--		
FC109781	CT64266	W01-358-9781	--		
--	CT64683	W01-358-7897	HNDS-23114-40		



Fleetcraft	Continental	Firestone	Hendrickson		
--	CT64696	--	HNDS-23613		
--	CT64695	--	HNDS-23612		
FC109265	CT64288	--	HNDS-20124-32		



Continental Air Spring Systems is one of the world's largest air spring manufacturers. Continental has been developing diverse solutions to meet our global customer's needs and requirements for over five decades. From this experience, Continental now offers the world's largest range of air springs. Continental's unique test facilities can simulate every suspension kinematics, plus cover all the significantly relevant force and frequency data developed in operational testing.

The Continental durability tests can simulate the full service life of any commercial vehicle. Together with the results obtained in test drives, this enables Continental to supply reliable performance data on all suspension properties.

Since the 1930's, Firestone has designed and manufactured more air springs for more applications than any other company in the world. As a result, almost all Class 8 trucks and many of the trailers on the road today now ride on air springs.

Firestone engineers lead the way in developing and testing anti-vibration solutions for a variety of commercial vehicle applications, including truck cabins and interiors, seats, chassis mounts and powertrain mounts.



Continental	Firestone	Hendrickson		
CT64697	--	HNDS-23614		
CT64692	--	HNDS-23720		
CT64693	--	HNDS-23721		
CT73913	--	HNDS-25872		
--	W01-358-8744	HNDS-25873		



Continental
CONTITECH
Air Spring Application



Firestone
Air Spring Application

Air Springs - Hendrickson

Hendrickson		
HNDS-34733	ZMD Pre-2019 Air Spring	
HNDS-38000	ZMD Post-2019 Air Spring	
HNDS-33161	ZMD INTRAAX HKANT 40K, 16" RH, requires QUIK-DRAW	



Air Spring Information

Fleetcraft	Continental	Firestone	Hendrickson	Application
--	CT65807	W01-358-0783	--	Trailer
--	CT64284	W01-358-7555	--	Convolute Parts, Reyco 23/25/30AR - Single/Tandem Axle Trailer Air Suspension; Reyco 86AR - Single/Tandem Axle Trailer Air Suspension; Reyco 21AR - Single/Tandem Axle Trailer Air Suspension, Trailer
FC108050	CT64254	W01-358-8050	--	HL-105 Truck HD Aux (Ride); HT 300T Top mount, Trailer
FC108091	CT64421	W01-358-8091	HNDS-20901-48	INTRAAX ATT 25K; INTRAAX AANT 23K - Low pressure; INTRAAX-SP AAZNT 23K/46K/69K23 - low pressure; VANTRAAX HKAT 50K / HKA250 (14-15" RH), Trailer
FC108204	CT64456	W01-358-8204	--	Holland (Neway) RL196A-12; Newlite (NS 190-16); Neway RL196/196A/228 - Trailer Air Suspensions, Truck
FC108708	CT64638	W01-358-8708	HNDS-21966-48	Trailer, VANTRAAX HKANT 69K23 (16-18" RH)
FC108709	CT64645	W01-358-8709	HNDS-21800-48	INTRAAX ATT 23K; INTRAAX AANT 23K - Estandar pressure; INTRAAX-SP AAZNT 23K/46K/69K23 - estandar pressure; VANTRAAX HKANT 46K / HKAT 46K / HKA200 (16" RH & below); VANTRAAX HKANT 46K / HKAT 46K / HKA200 (14 - 15" RH); VANTRAAX HKANT 69K23 (15" RH); OPTIMAAX, Trailer
FC108713	CT64636	W01-358-8713	HNDS-22948-48	Trailer, VANTRAAX HK ANT 40K / HKA 180 prior January 2008; VANTRAAX HKANT 46K / HKAT 46K / HKA200 (16" RH & above); VANTRAAX HKANT 46K / HKAT 46K / HKA200 (16-19" RH)
FC108729	CT75741	W01-358-8729	--	Trailer



Air Spring Application

Fleetcraft	Continental	Firestone	Hendrickson	Application
--	CT65807	W01-358-0783	--	Trailer
--	CT64284	W01-358-7555	--	Convoluted Parts, Reyco 23/25/30AR - Single/Tandem Axle Trailer Air Suspension Reyco 86AR - Single/Tandem Axle Trailer Air Suspension; Reyco 21AR - Single/ Tandem Axle Trailer Air Suspension, Trailer
FC108050	CT64254	W01-358-8050	--	HL-105 Truck HD Aux (Ride); HT 300T Top mount, Trailer
FC108091	CT64421	W01-358-8091	HNDS-20901-48	INTRAAAX ATT 25K; INTRAAX AANT 23K - Low pressure; INTRAAX-SP AAZNT 23K/46K/69K23 - low pressure; VANTRAAX HKAT 50K / HKA250 (14-15" HR), Trailer
FC108204	CT64456	W01-358-8204	--	Holland (Neway) RL196A-12; Newlite (NS 190-16); Neway RL196/196A/228 - Trailer Air Suspensions, Truck
FC108708	CT64638	W01-358-8708	HNDS-21966-48	Trailer, VANTRAAX HKANT 69K23 (16-18" RH)
FC108709	CT64645	W01-358-8709	HNDS-21800-48	INTRAAAX ATT 23K; INTRAAX AANT 23K - Estandar pressure; INTRAAX-SP AAZNT 23K/46K/69K23 - estandar pressure; VANTRAAX HKANT 46K / HKAT 46K / HKA200 (16" RH & below); VANTRAAX HKANT 46K / HKAT 46K / HKA200 (14 - 15" RH); VANTRAAX HKANT 69K23 (15" RH); OPTIMAAX, Trailer
FC108713	CT64636	W01-358-8713	HNDS-22948-48	Trailer, VANTRAAX HK ANT 40K / HKA 180 prior January 2008; VANTRAAX HKANT 46K / HKAT 46K / HKA200 (16" RH & above); VANTRAAX HKANT 46K / HKAT 46K / HKA200 (16-19" RH)
FC108729	CT75741	W01-358-8729	--	Trailer
FC108755	CT64397	W01-358-8755	HNDS-22045-48	Trailer, VANTRAAX HK190T Slider Series
--	CT65593	W01-358-8774	HNDS-25873	INTRAAAX ATT 30K; Watson TI 250/300T Integra Series, Trailer
--	CT66666	W01-358-8864	--	Peterbilt - Air Glide 210 Low Air "Twisted Sister"; (Kenworth AG210/400L) Single/ Tandem Axle Rear Air Suspension, Truck
FC109082	CT64269	W01-358-9082	--	Hendrickson H1200 (Mk2/LMk2/E/F) Trailer Air & Air Lift Suspensions; Neway ART500/505/541/550/551/555 - Non-Powered Tractor Air Suspensions; Neway ARD120/238, 125/244, 234 - Single/Tandem Drive Axle Air Suspensions; Neway ARDST123/244, 246, 250, ARDSTM/L 123/246 - Single/Tandem Drive Axle Suspensions; Reyco 23/25/30AR - Single/Tandem Axle Trailer Air Suspension, Truck; Trailer
FC109270	CT64287	W01-358-9270	HNDS-20010-32	HT 230 Top mount; HT250 US (4" RH), Trailer (Dolly)
--	CT64439	W01-358-9307	--	Holland (Neway) AR-41, 45 & 45-1 (plastic), Trailer
--	CT64394	W01-358-9580	HNDS-20127-24	HT 250T Top mount; HT 250U Underslung; HT Y BEM; HT 250US (5.5-14" HR), Trailer
--	CT64395	W01-358-9640	HNDS-20223	HT 190T Top mount - 20K, Trailer (Dolly)
FC109780	CT67473	W01-358-9780	--	Freightliner - FASII Airliner (Current Production); Single/Tandem Axle Air Suspension (1990+); 40k; Composite Piston, Truck
FC109807	CT68151	W01-358-9807	--	Neway CB2300, CBX23/25 Top Mount; CB400/4000 Slider - Trailer Air Suspensions, Trailer
FC109974	CT67586	W01-358-9974	--	Trailer
FC109978	CT67588	W01-358-9978	HNDS-28929-48	Trailer, VANTRAAX HK ANT 40K / HKA 180; after January 2008
FC101191	CT73746	W01-358-1191	--	Navistar/International - Corporate Air Suspension; Rear Single/Tandem Axle - Air Beam
FC109781	CT64266	W01-358-9781	--	Freightliner - FASII Airliner (Current Production); Single/Tandem Axle Air Suspension (1990+); 40k; Composite Piston, Truck
--	CT64683	W01-358-7897	HNDS-23114-40	Convoluted Parts, Small lift UBL (Under Beam Lift) + VANTRAXX + INTRAXX + HT Series OPTIMAAX, Trailer

Fleetcraft	Continental	Firestone	Hendrickson	Application
--	CT64696	--	HNDS-23613	INTRAAAX AAL 23K (8-9" ride height); INTRAAX AANL 23K (8-9" ride height); IN- TRAAX SP AAZL 23K/46K; VANTRAAX HKAL 46K; VANTRAAX HKARL 46K Ramp Ready Slider, Trailer
--	CT64695	--	HNDS-23612	INTRAAAX AAL 25K (12-19" ride height); INTRAAX AANL 25K (12-19" ride height); INTRAAAX SP AAZL 23K/46K, Trailer
FC109265	CT64288	--	HNDS-20124-32	HT 250U Underslung, Trailer
--	CT64697	--	HNDS-23614	INTRAAAX AAL 23K (12-19" ride height); INTRAAX AANL 23K (12-19" ride height); INTRAAAX SP AAZL 23K/46K; VANTRAAX HKARL 46K Ramp Ready Slider, Trailer
--	CT64692	--	HNDS-23720	INTRAAAX AAL 23K (12-19" ride height); INTRAAX AANL 23K (12-19" ride height); INTRAAAX SP AAZL 23K/46K; VANTRAAX HKARL 46K Ramp Ready Slider, Trailer
--	CT64693	--	HNDS-23721	INTRAAAX AAL 25K (6.5-7.5" ride height); INTRAAX AANL 25K (6.5-7.5" ride height); INTRAAAX AANLS 20K (all ride heights); INTRAAX SP AAZL 23K/46K, Trailer
--	CT73913	--	HNDS-25872	INTRAAAX AAL 30K (12-19" ride heights), Trailer
--	--	W01-358-8744	HNDS-25873	INTRAAAX AAT 30K
--	--	--	HNDS-33161	INTRAAAX HKANT 40K, 16" RH, requires QUIK-DRAW
--	--	--	HNDS-34733	ULTRAA-K® UTKNT 40K slider (units built before March 2019)
--	--	--	HNDS-38000	ULTRAA-K UTKNT 40K slider (units built after March 2019)





Shock Absorbers



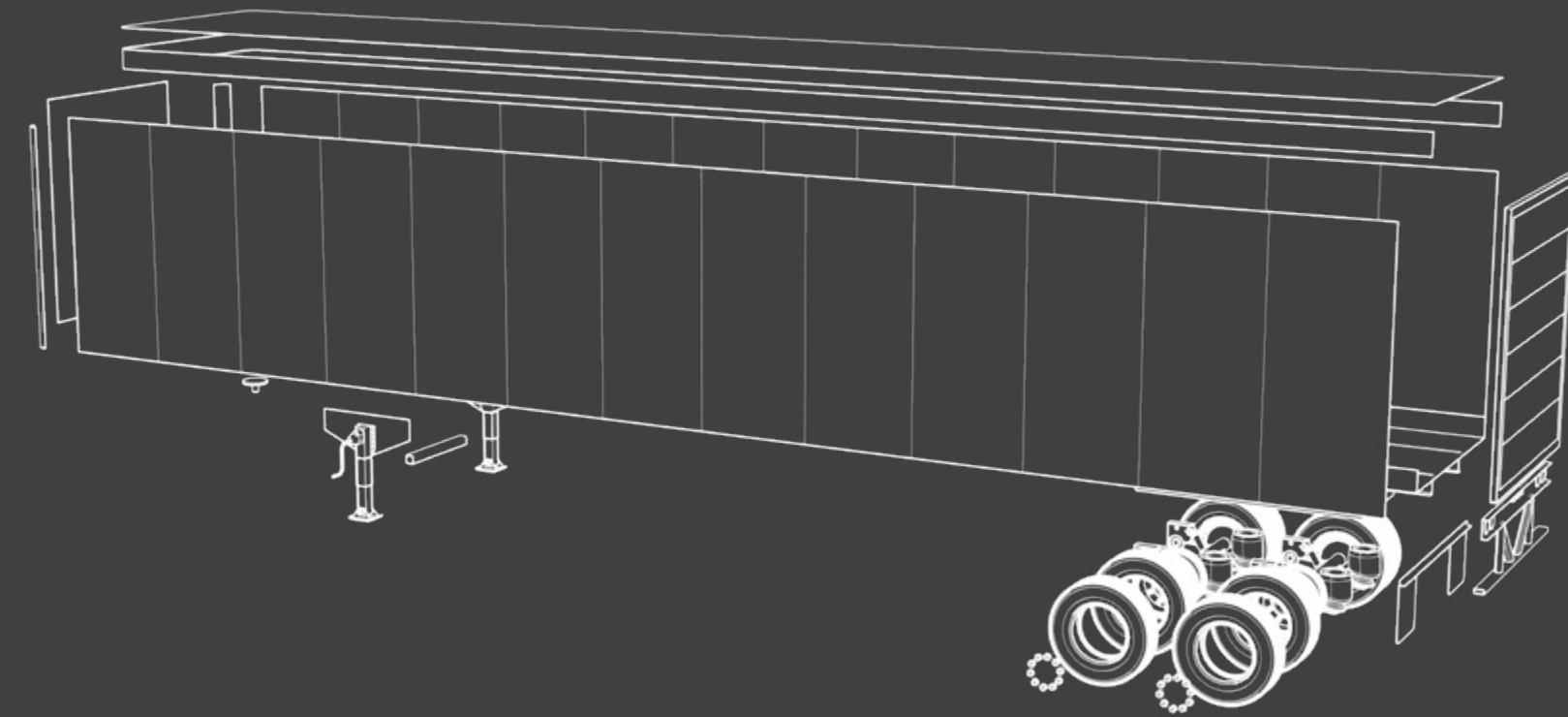
Monroe	Gabriel	OEM	Extended Length	Compressed Length	Travel	Bore	Application	Upper Mount
66893M	GAB83203	HNDS-23566	17.4531"	11.9375"	5.515"	1.38"	Wabash/Watson Chalin	3/4" Sleeve ID X 1.3/4" Sleeve OAL
66608M	GAB83128	HNDS-24088	16.8281"	11.6875"	5.14"	1.75"	Wabash/Stoughton	3/4" Sleeve ID X 1.3/4" Sleeve OAL
65528M	GAB85069	--	26.313"	15.938"	10.375"	3.3125"	Kenworth/Peterbilt	3.5/16" Stem Length X 5/8"-11 Thread Pitch
65495M	GAB85067	--	30.5"	18.3594"	12.141"	1.75"	Kenworth/Peterbilt	5/8" Sleeve ID X 3.9/16" Sleeve OAL
65492M	GAB85931	--	22.5"	14.5"	8"	4"	International	5/8"-16mm Sleeve ID X 3.9/16" Sleeve OAL
65490M	GAB85724	--	22.9063"	15"	7.906"	3.1875"	Freightliner/Western Star/TBB	3/4" Sleeve ID X 3.13/16" Sleeve OAL
65486M	GAB85066	--	24.98"	15.625"	9.355"	1.75"	Volvo/Mack	5/8" Sleeve ID X 4" Sleeve OAL
65468M	GAB85069	--	26"	15.625"	10.375"	3.3125"	Kenworth/Peterbilt	3.5/16" Stem Length X 5/8"-11 Thread Pitch
65419M	GAB83389	HNDS-20001	17"	11.625"	5.375"	1.75"	Great Dane/Stoughton/Utility/Wabash	3/4" Sleeve ID X 1.3/4" Sleeve OAL
65416M	GAB85000	HNDS-20002 / HNDS-24023	17.75"	11.99"	5.76"	1.75"	Great Dane/East/Stoughton/Wabash	3/4" Sleeve ID X 1.3/4" Sleeve OAL
65175M	GAB85084	--	20.625"	13.1875"	7.437"	1.75"	Kenworth/Peterbilt	5/8" Sleeve ID X 3.9/16" Sleeve OAL
65158M	GAB85954	--	20.73"	13.19"	7.54"	1.75"	International	5/8" Sleeve ID X 2" Sleeve OAL
65148M	GAB85918	--	22.75"	14.625"	8.125"	1.75"	Freightliner/Western Star/TBB	3/4" Sleeve ID X 2.5/16" Sleeve OAL
65101M	GAB85062	--	19.6719"	12.6875"	6.984"	1.75"	Kenworth/Peterbilt	3/4" Bushing ID X 1.9/16" Bushing OAL
65503M	GAB85919	--	22.125"	14.2969"	7.82813"	1.75"	Great Dane/Wabash	3/4" Sleeve ID X 1.3/4" Sleeve OAL
65431M	GAB85909	HNDS-25436	24.3125"	15.31"	9.003"	1.75"	Neway	3/4" Sleeve ID X 1.3/4" Sleeve OAL
65511M	GAB85939	HNDS-23651	14.5"	10.3438"	4.156"	1.75"	Utility	3/4" Sleeve ID X 1.3/4" Sleeve OAL
65512M	GAB85938	HNDS-23649	15.91"	11.0625"	4.847"	1.75"	Hendrickson/Watson Chalin/Reyco	3/4" Sleeve ID X 1.3/4" Sleeve OAL
66969M	GAB83126	HNDS-23548	24.45"	15.43"	9.02"	1.75"	Freightliner/International/Kenworth/Peterbilt	3/4" Sleeve ID X 1.3/4" Sleeve OAL
65433M	GAB85910	HNDS-23316	20.6094"	13.5938"	7.015"	1.75"	Freightliner/Peterbilt/Spartan	3/4" Sleeve ID X 1.3/4" Sleeve OAL
66634M	GAB83203	SAF90045040	17.8594"	12.1875"	5.671"	1.75"	Wabash	3/4" Sleeve ID X 1.3/4" Sleeve OAL

Leaf Springs

Alternate 1	Alternate 2	Alternate 3	Leaf Count	Arch Type	Rating	Diagram
365-01	TRA2741A	EMITRA2741USA	2	Low	22,400 lbs	
354-00	TRA2726A	EMITRA2726USA	3	High	22,400 lbs	
355-00	TRA2727A	EMITRA2727USA	3	Med	22,400 lbs	
356-00	TRA2728A	EMITRA2728USA	3	Low	22,400 lbs	
365-00	TRA2740A	EMITRA2740USA	3	High	25,000 lbs	
0837601	TRA2291	--	3	Med	20,000 lbs	
15636-01	TRA038	--	1	Med	25,000 lbs	
T3564	TRA2270	--	8	Med	22,000 lbs	
363-00	TRA-021	--	1	Low	22,400 lbs	



NEWLIFE
HEAVY DUTY TRAILER PARTS

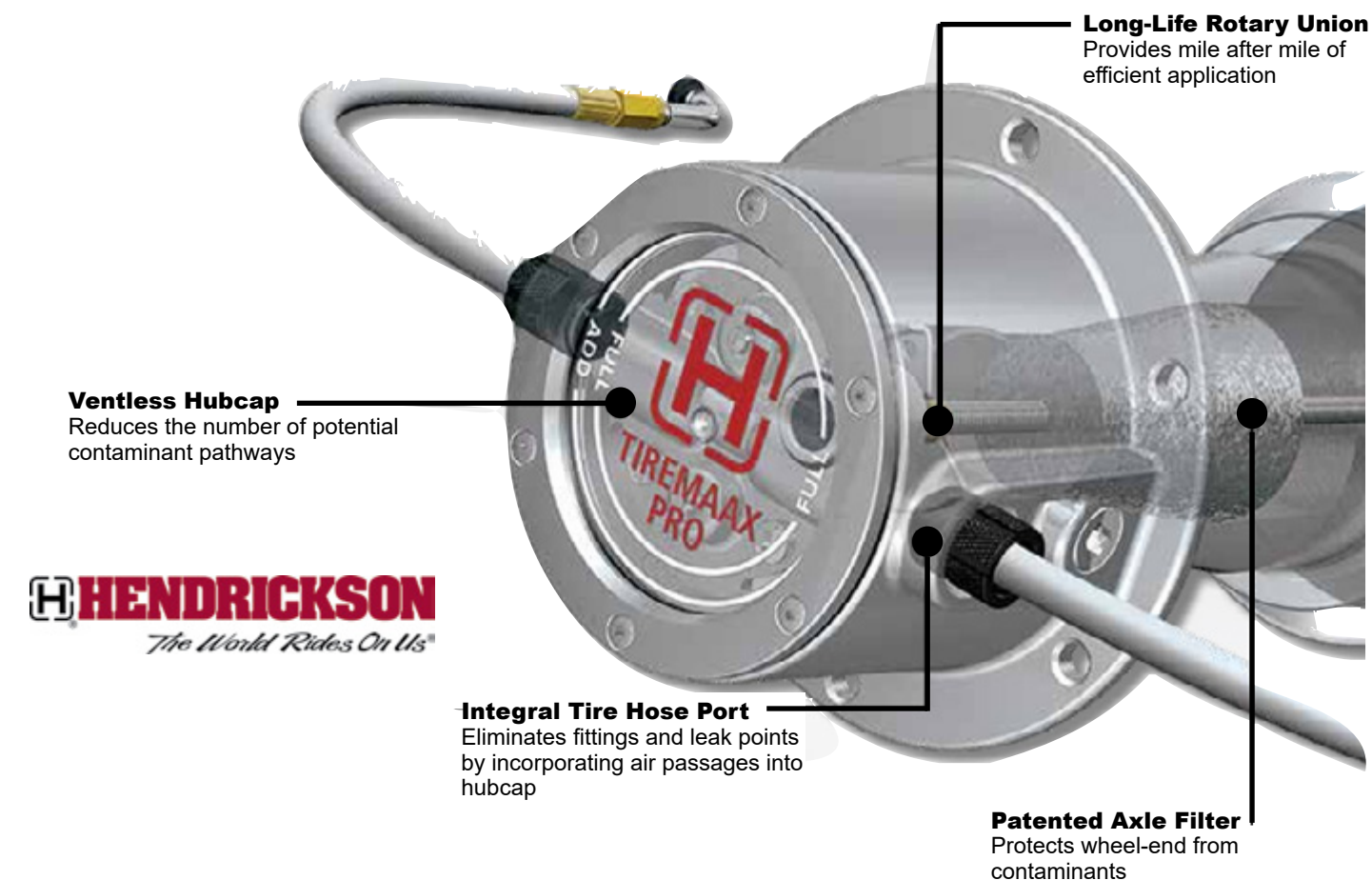


Tire Inflation TPMS



Hendrickson Tiremaax

Hubcaps



TIREMAAX LINEUP

TIREMAAX CP

Reacts to underinflated conditions

- Automatically inflates tires to factory pre-set target pressure setting
- Continually checks tire pressure without pressurizing the axle or wheel-ends

TIREMAAX PRO

Responds to under and overinflated conditions as well as inconsistent pressures between mismatched duals

- Automatically inflates tires to factory pre-set target pressure setting
- Prevents overinflation by relieving air from tires back through the controller
- Equalizes tire pressure at every wheel position to help reduce scrubbing between dual tires for improved tire life

TIREMAAX PRO-LB

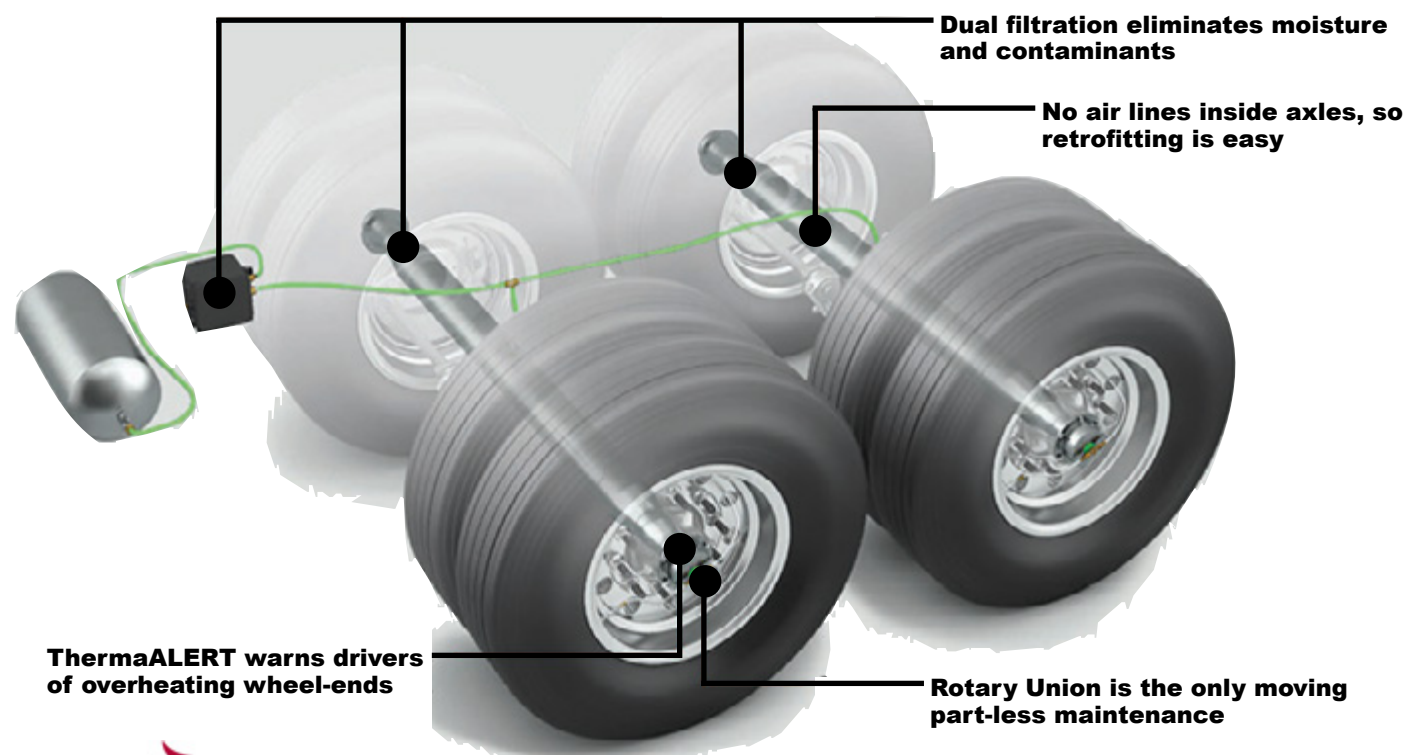
Adjusts for under and overinflated conditions, inconsistent pressure between mismatched duals and changes in trailer load

- Optimizes tire pressure across all loading conditions to help prevent irregular wear and maximize uptime
- Helps improve trailer handling and tread wear when lightly loaded
- Tailored for carriers that seldom gross-out and/or travel many empty miles

Part No.	Description	Lubricant Type	Bolt Circle (In)	Bolt Holes	Image
HNDVS-32055-1	Tiremaax Pro HN Hubcap	Oil	5-1/2"	6	
HNDVS-32055-3	Tiremaax Pro HN Hubcap	Grease	5-1/2"	6	
HNDVS-32056-1	Tiremaax Pro HP Hubcap	Oil	6-3/4"	6	
HNDVS-32056-3	Tiremaax Pro HP Hubcap	Grease	6-3/4"	6	
HNDVS-32068-1	Tiremaax CP HN Hubcap	Oil	5-1/2"	6	
HNDVS-32068-3	Tiremaax CP HN Hubcap	Grease	5-1/2"	6	
HNDVS-32070-1	Tiremaax CP HP Hubcap	Oil	6-3/4"	6	
HNDVS-32070-3	Tiremaax CP HP Hubcap	Grease	6-3/4"	6	
HNDVS-32054-3	Tiremaax Pro Hubcap Window Kit				



Meritor PSI



MERITOR TIRE INFLATION SYSTEMS (MTIS) FEATURES & BENEFITS

Extends Tire Life

- Federal Motor Carrier Safety Administration (FMCSA) and U.S. Environmental Protection Agency (EPA) studies show a 10% larger tire life with tire inflation systems
- Continuous inflation prevents early retreading and reduces fleet tire costs
- Helps preserve tire casing for maximum retreading quality

Increases Fuel Economy

- Proper tire pressure means better fuel economy
- Proven 1.4% average improvement in fuel economy per vehicle based on a FMCSA real-world study on tire inflation systems

Decreases Fleet Maintenance Costs

- Less time spent on manual pressure checking and filling
- Longer intervals between retreads

Improves Safety

- Prevents underinflation, which is leading cause of tire blowouts
- Reduces the risk of road accidents caused by inflation
- Delivers real-time warnings for tire issues

Hubcaps

Part No.	Description	Lubricant Type	Bolt Circle (In)	Bolt Holes	Image
340-4372	PSI Hubcap	Grease	6-3/4"	6	
343-4370	PSI Hubcap, Short Tube	Oil	5-1/2"	6	
343-4372	PSI Hubcap, Long Tube	Oil	6-3/4"	6	

Control Boxes

Part No.	Description
MER3108301	Control Box - Empty Box, Lid and Screws
MER3108328	Control Box Lid w/ Screws, Gaskets, + Decals
MER3109200	Manifold Control Box Assembly, Complete 100 PSI
MER310920085	Manifold Control Box, Preset 85 PSI
MER3110300	Control Box Self-Draining Filter



MER3108301



MER3110300

Tire Inflation TPMS | Meritor PSI

Tire Inflation TPMS | Meritor PSI



Thru-Tee

Part No.	Description	Wheel Size	Length (In)	Spindle	Image
MER3131421	Stator & Filter Assembly, 1/4" NPT, Threads into Spindle Plug	--	10.50"	--	
MER3131700	Brass Thru-Tee with Tee Vent & Shield	Dual	4"	Straight	
MER3131703	Brass Thru-Tee with Tee Vent & Shield	Dual	3.50"	Tapered	
MER3131704	Brass Thru-Tee with Tee Vent & Shield	Dual	5"	Straight	
MER3131704S	Brass Thru-Tee with Tee Vent & Shield	Super Single	5"	Straight	

Flex Hose

Part No.	Description	Wheel Size	Tire	Length (In)	Aux Check Port	Image
MER3136300	Flex Hose	Larger than 17.5"	Outside	13.5"	No	
MER3136300CP	Flex Hose	Larger than 17.5"	Outside	13.5"	Yes	
MER3137300	Flex Hose	Larger than 17.5" or Super Singles	Inside	17"	No	
MER3137300CP	Flex Hose	Larger than 17.5" or Super Singles	Inside	17"	Yes	

Tire Inflation TPMS | Meritor PSI

Tire Inflation TPMS | Meritor PSI

Thermalert

Part No.	Description	Thru-Tee Length	Tire Size
MERH196522	Thermalert Kit, TN/TQ RN/RQ	3.50"	Larger than 17.5"
MERH197522	Thermalert Retrofit Kit for Meritor TP, TB, WP	4"	Larger than 17.5"
MERH220002	Thermalert Replacement Screw for all Press Plugs		



MERH196522



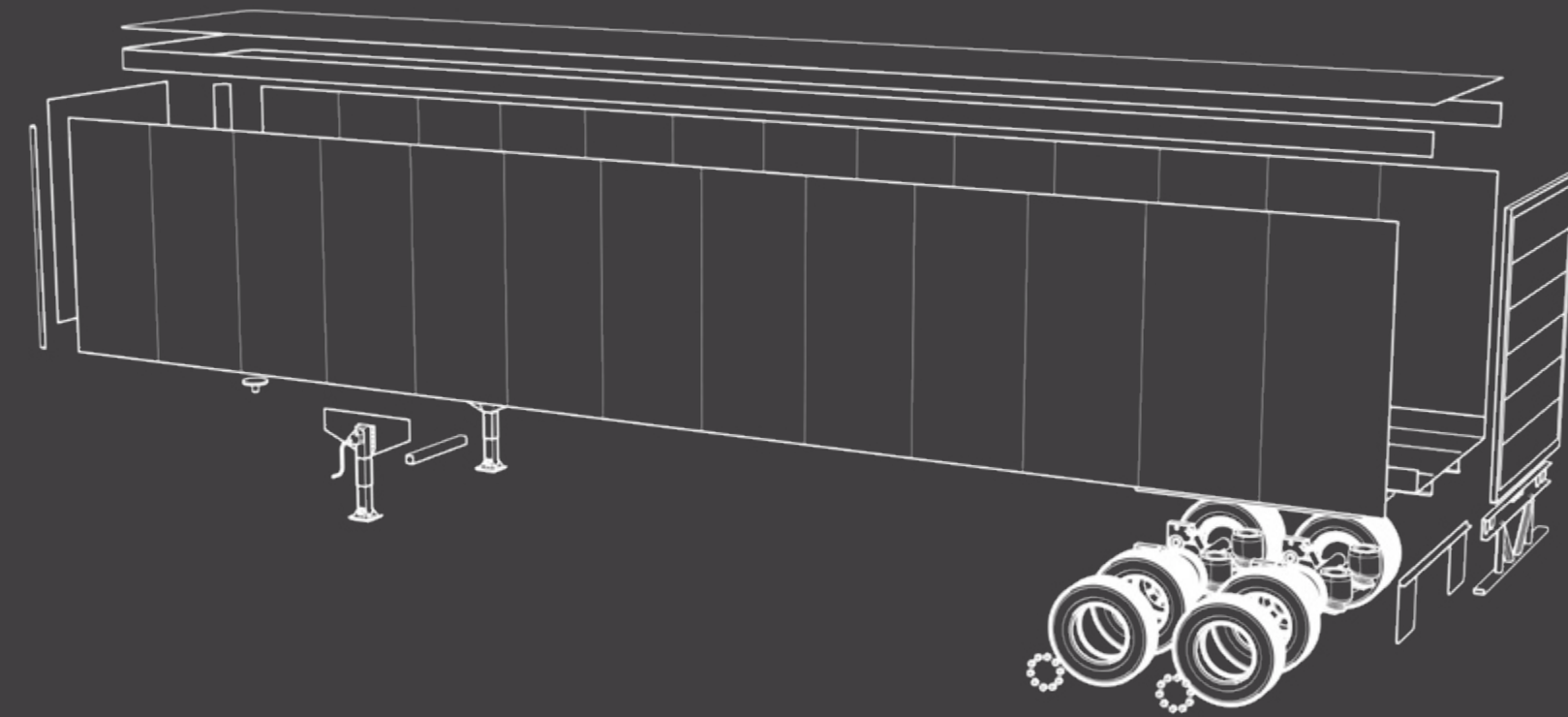
MERH197522



MERH220002



NEWLIFE
HEAVY DUTY TRAILER PARTS



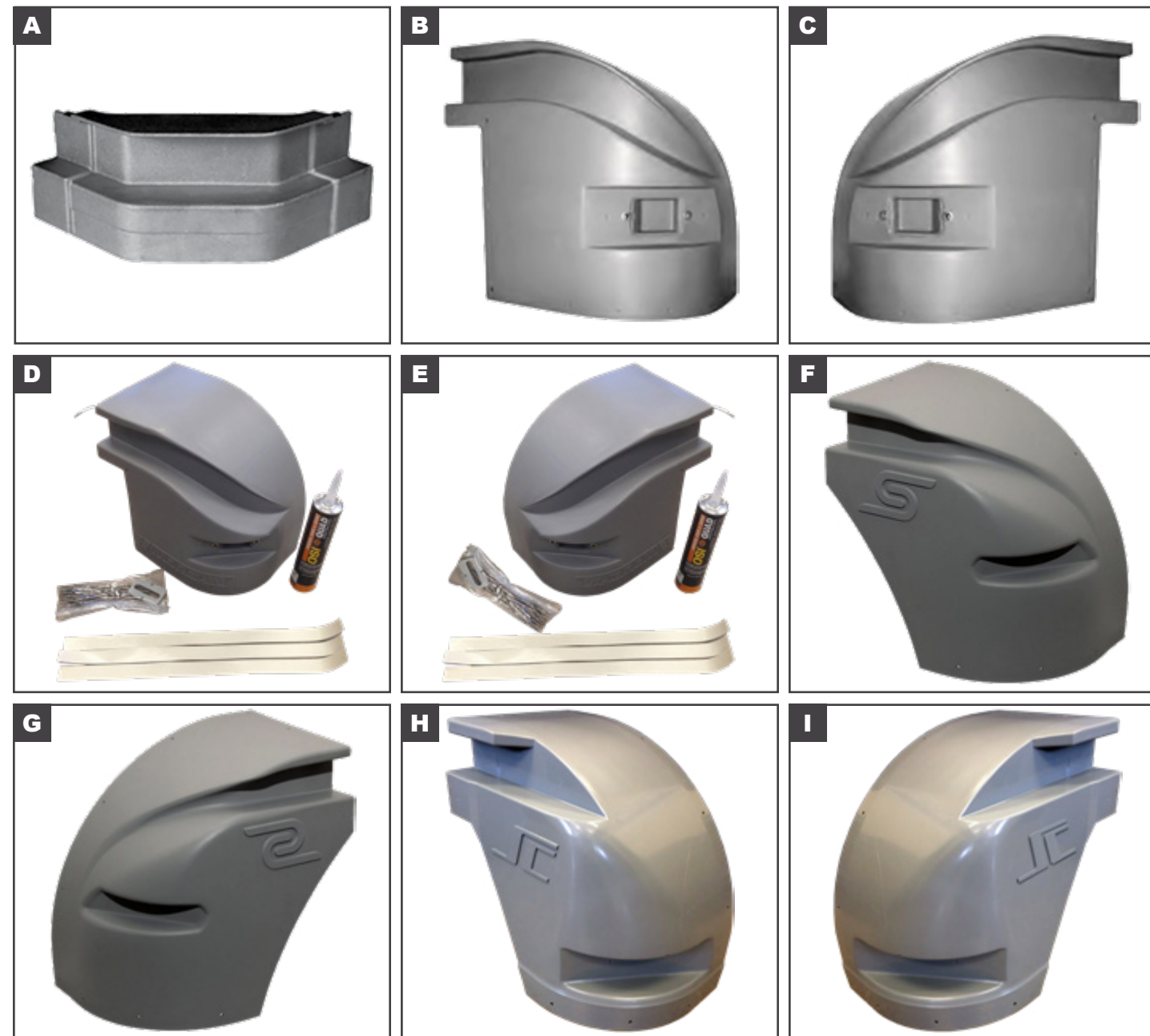
Universal Body Parts



FCB Prefix Guide

Prefix	Definition
FCB001-	Raw Materials Supplied for Subcon Orders
FCB005-	Corner Castings / Caps
FCB010-	Crossmember, C/M Caps
FCB015-	Rear Parts, Doors, Gasket, Hinges, Bumper, Etc.
FCB025-	Radius Panel, Inner Radius, Corner Post, Etc.
FCB028-	Front Corner Protector
FCB030-	(Panels) Flat, Corr, Composite, Stainless, Etc.
FCB035-	(Post) Front, Side, Connector, Slat, Etc.
FCB040-	(Nose Rail) Upper, Lower
FCB045-	Side Bottom Rail
FCB050-	Side Top Rail
FCB055-	(Roof Parts) Roof Bows, Starter, Intermediate, Etc.
FCB940-	Aluminum Flooring
FCB960-	Inner Scuff, Wall Liner, Poly/Steel/Alum./Fiberglass
FCB999-	Non-Stock Items

Corner Caps



Iron Braces

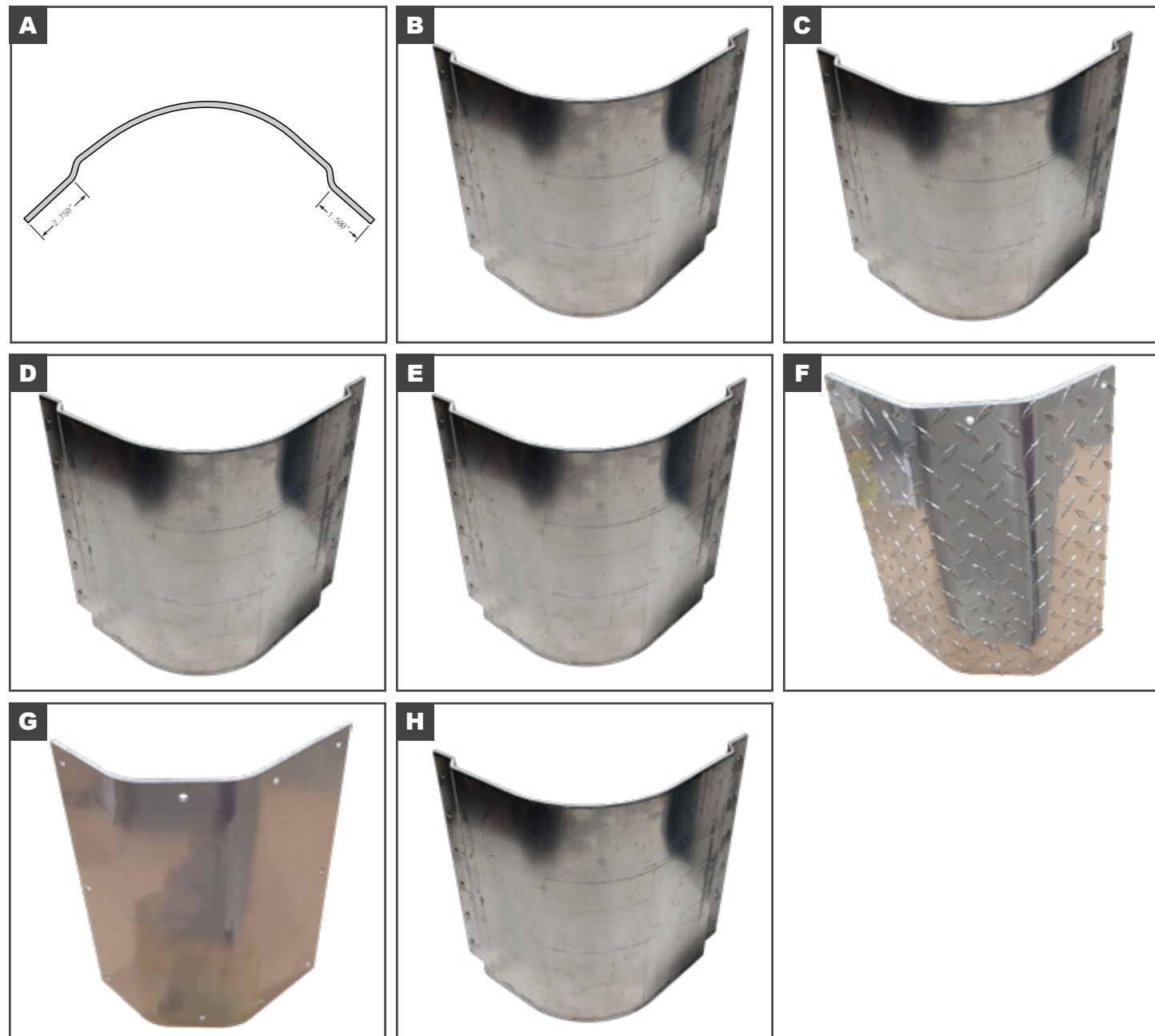


Part No.	Description
1010083	12"x12"x1-1/2" Corner Iron, Weld On Rear Frame

	Part No.	Description	Replaces
A	1310365	Stoughton Universal Models AV/FV/EV	04-09728
B	MOR006720056	Morgan Plastic Curbside (Cap Only)	OEM
C	MOR006720057	Morgan Plastic Roadside (Cap Only)	OEM
D	MOR6266420	Morgan Plastic Curbside (Kit), MOR006720056	OEM
E	MOR6266520	Morgan Plastic Roadside (Kit), MOR006720057	OEM
F	SUP04400049	Wabash Truck Body (Formerly Supreme) S Series Curbside 2018 and Newer	OEM
G	SUP04400050	Wabash Truck Body (Formerly Supreme) S Series Roadside 2018 and Newer	OEM
H	SUP116404	Wabash Truck Body (Formerly Supreme) S Series Curbside to 2018	OEM
I	SUP116405	Wabash Truck Body (Formerly Supreme) S Series Roadside to 2018	OEM

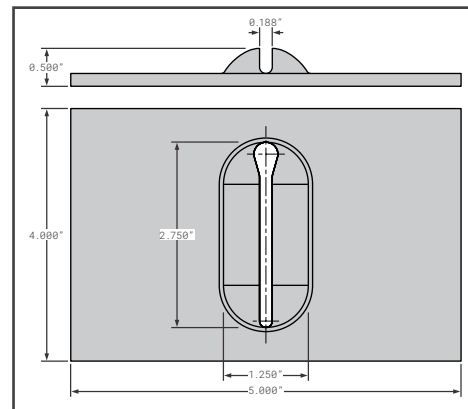


Corner Protectors



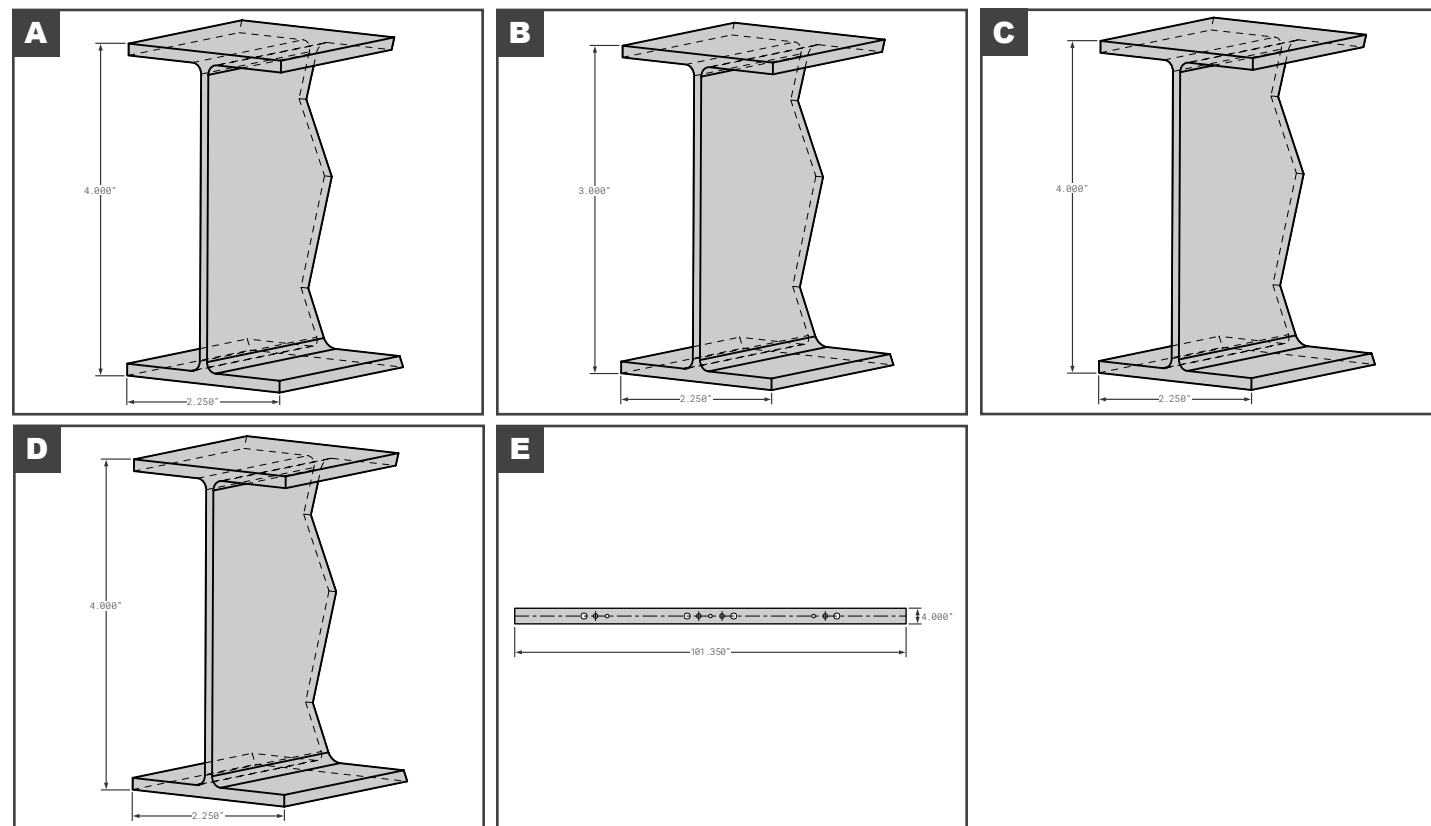
	Part No.	Description	Replaces
A	FCB028-221	Great Dane Style 18" Front Corner Protector	GDP42001870
B	HYU2300-DA034-X01	Hyundai Front Corner Protector 1/8" Diamond Plate 12" Tall	OEM
C	HYU2300-DA023-X07	Hyundai Front Corner Protector 1/8" Smooth Aluminum 12" Tall	OEM
D	HYU2300LAA010X01	Hyundai Front Roadside Corner Protector 1/8" Smooth Aluminum 18" Tall	OEM
E	HYU2300RAA010X01	Hyundai Front Curbside Corner Protector 1/8" Smooth Aluminum 18" Tall	OEM
F	SPS012902800000	Stoughton Front Corner Protector	OEM
G	SPS012947200000	Stoughton Front Corner Protector	OEM
H	STR63901	Strick Corner Protector	OEM

Accessories



Part No.	Description	Replaces
157023	4"x5" with Slots, No Holes - Steel	PEN70-14-SP

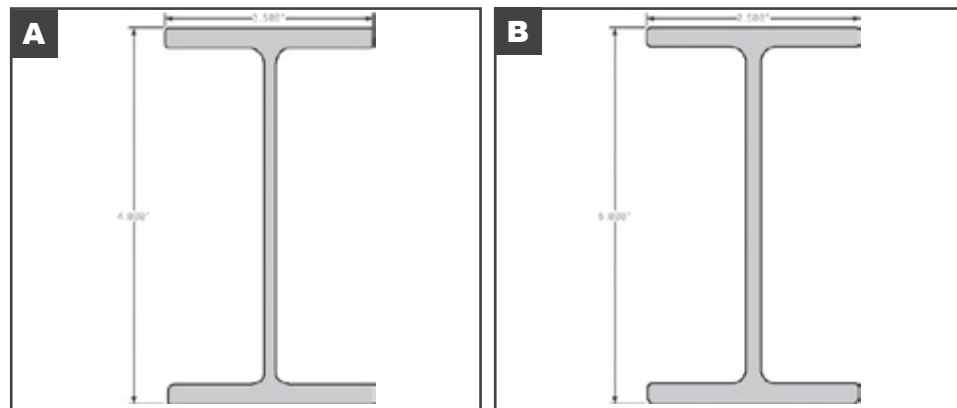
Steel I-Beams



	Part No.	Description	Replaces
A	1157031	4" I-Beam 3.20 LBS/FT 2.25" Flange, Steel, 102"	Universal
B	1157033	3" I-Beam 2.9 LBS/FT 2.25" Flange Steel, 102"	Universal
C	1157034	4" I-Beam 3.45 LBS/FT 2.25" Flange, Steel, 100,000 Tensile Strength, 102"	Universal
D	1157035	4" I-Beam 3.20 LBS/FT 2.25" Flange Black Primer, Steel, 80,000 Tensile Strength, 102"	Universal
E	GD-CM01	4"x101.35" Punched, Oiled, T/M	1157037, 14089

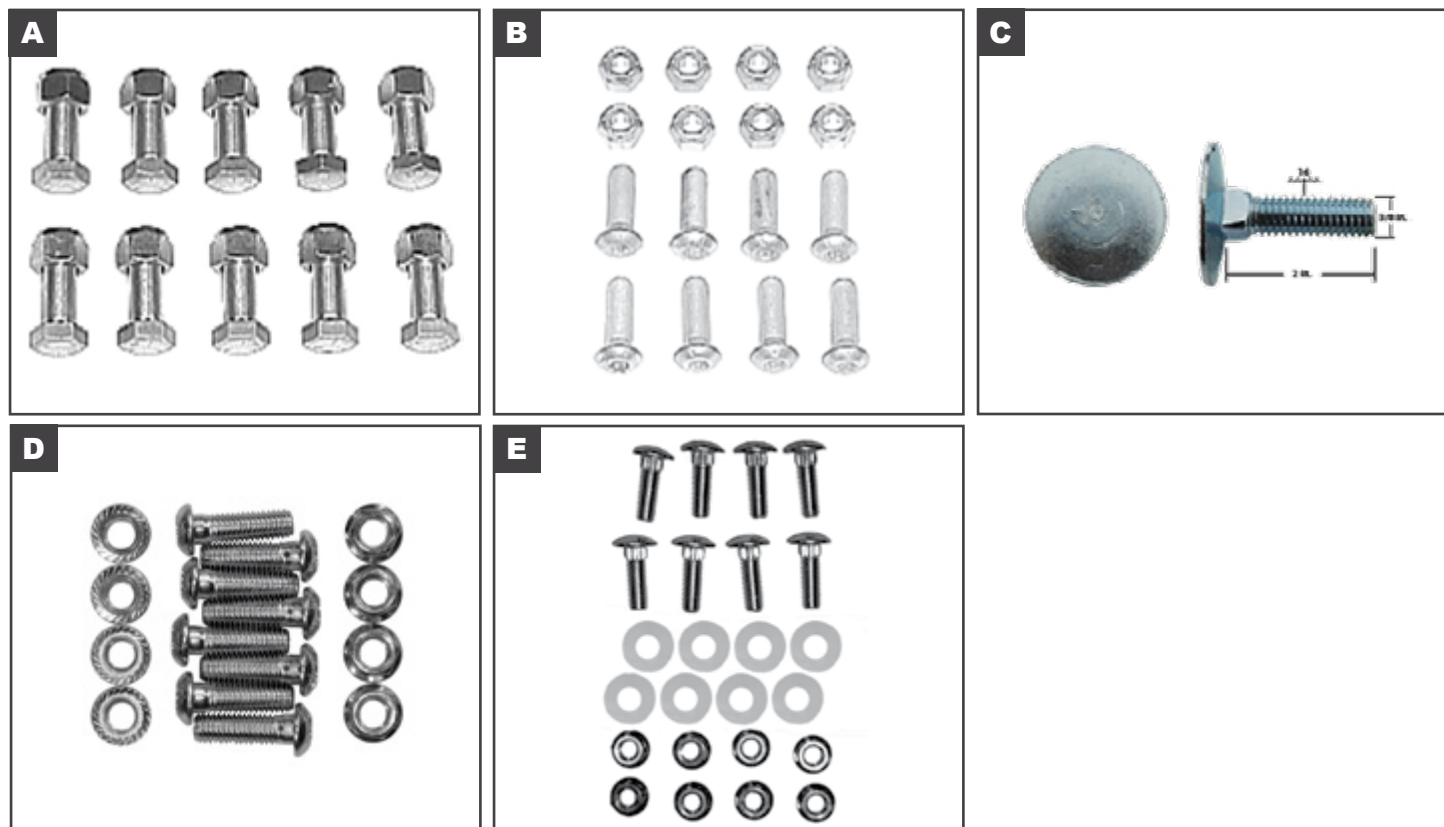


Aluminum I-Beam



	Part No.	Description	Replaces
A	1157030	4" I-Beam 3.5" Flange, Aluminum, Use with Clip FCB010-920, 102"	Universal
B	FCB010-910-002	5" I-Beam 2.5" Top and Bottom Flange, Aluminum, Use with Clip FCB010-920, 102"	5X102AL

Bolts



	Part No.	Description	Replaces
A	1157014	Fleetcraft Landing Gear Bolt Kit, Grade 5, Ten 5/8"-18x1-1/2" Bolts with Ten Nylon Hex Nuts	--
B	1157013	Strick Bottom Side Rail Bolt Kit, Grade 5, 3.8"-24x1-1/4" Torx-Bolts with Nylon Nuts	--
C	16C632	Elevator Bolt Kit, Grade 5, 3/8"-16x2" Bolts with Keps Nuts	--
D	1157011	Crossmember Bolt Kit, Grade 5, 3/8"x1-1/4" Torx Style with Nut and Washer	Universal
E	1157015	Crossmember Bolt Kit, Grade 5, 3/8"x1-1/4" Carriage Style with Nut and Washer	Universal

Deck Clips



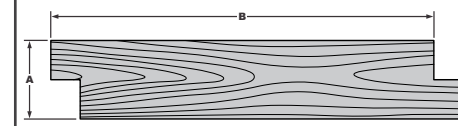
1011585 REPLACES REPLACES #
3" X 1-3/16", 700-16-2 3/8" Hole - Base Steel

Threshold Plates

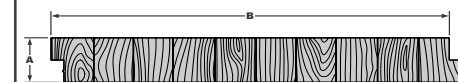


1063098 REPLACES --
22-5/8" X 96" 1-3/8" Lip 1/8" - D

Apitong Flooring



Laminate Flooring



Floor Screws



Part No.	Finish	Diameter	Length	Head Style	Pack Size
1025371-100	Phosphate & Oil	5/16	2	TX40	100
1025373-100	Phosphate & Oil	5/16	2 1/2	TX40	100
1025371	Phosphate & Oil	5/16	2	TX40	1200
1025373	Phosphate & Oil	5/16	2 1/2	TX40	1000

Apitong

Part No.	A	B	Length	Description
AP2X8X18	2"	8"	18"	Apitong Rough Sawn
AP1.125X5X16	1.125"	5"	16'	Apitong Shiplap Per Board
AP1.125X7X16	1.125"	7"	16'	Apitong Shiplap Per Board
AP1.312X5X16	1.313"	5"	16'	Apitong Shiplap Per Board
AP1.312X7X16	1.313"	7"	16'	Apitong Shiplap Per Board

Laminate

Part No.	A	B	Length	Description
OAK1.125X312	1.125"	12"	26'	Oak
OAK1.125X624	1.125"	12"	52'	Oak
OAK1.25X13X624	1.25"	13"	52'	Oak
OAK1.25X312	1.125"	12"	26'	Oak
OAK1.25X624	1.25"	12"	52'	Oak
OAK1.375X13X624	1.375"	13"	52'	Oak
OAK1.375X312	1.375"	12"	26'	Oak
OAK1.375X624	1.375"	12"	52'	Oak

Universal Body Parts | Fasteners

Universal Body Parts | Flooring



Aluminum & Steel Scuffs

Part No.	Description	Thickness	Width	Length
1014342-52	Corrugated Galvanized Steel Scuff	18GA	6.5"	624"
1014343-52	Corrugated Galvanized Steel Scuff	18GA	12"	624"
1014344-52	Corrugated Galvanized Steel Scuff	18GA	18"	624"
FCB960-101-624	Aluminum Extruded Scuff Universal Fit	.125"	12"	624"

Fiberglass Scuff - Wall Liners

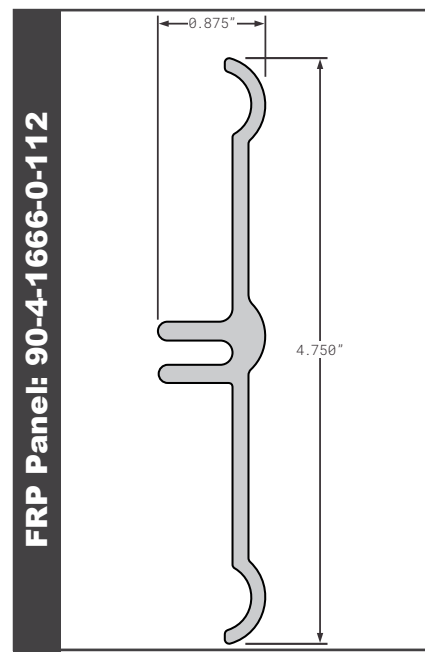
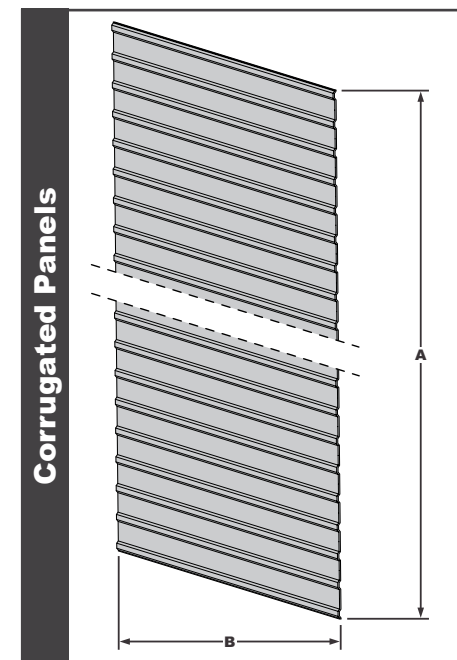
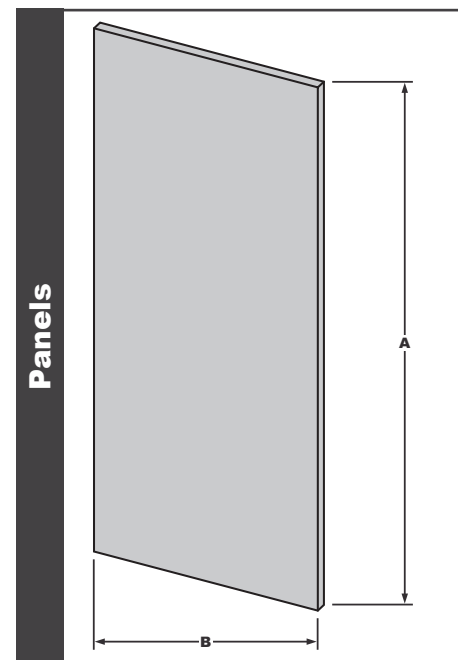
Part No.	Description	Thickness	Width	Length
NL090X4X9	Scuff Liner Fiberglass	.090"	48"	108"
NL090X48X53	Scuff Liner Fiberglass	.090"	48"	636"
NL090X96X53	Wall Liner Fiberglass	.090"	96"	636"
NL090X101X53	Wall Liner Fiberglass	.090"	101"	636"
NL24X24X48	Scuff Liner Monster Scuff Heavy Duty	.240"	24"	48"

Plastic Poly Scuffs

Part No.	Description	Thickness	Width	Length
1014348	Scuff Plastic Black w/ Bevel Top (Order Increments of 2)	.625"	12"	624"
1014349	Scuff Plastic White w/ Bevel Top (Order Increments of 2)	.625"	12"	624"
1014356	Scuff Plastic Black w/ Bevel 1 per roll, 2 per skid	.625"	18"	624"
1014357	Scuff Plastic White w/ Bevel 1 per roll, 2 per skid	.625"	18"	624"
625X24X52BLACK	Scuff Plastic Black 1 per roll, 2 per skid	.625"	24"	624"
625X24X52WHITE	Scuff Plastic White 1 per roll, 2 per skid	.625"	24"	624"

Wood Scuff Liners

Part No.	Description	Thickness	Width	Length
OAK.75X624	Oak Scuff Hardwood	.75"	12"	624"
OAK.75X96	Oak Scuff Hardwood	.75"	12"	96"



.040 & .050 Aluminum					
Part No.	A	B	Description	Color	Replaces
FCB030-919-001	96"	49"	PPW One Side, MFA Opposite w/ PVC - .040 Aluminum	White	--
FCB030-919-002	110"	49"	PPW One Side, MFA Opposite w/ PVC - .040 Aluminum	White	--
050X49X110PRBLU	110"	49"	Amazon Blue One Side, MFA Opposite w/ PVC - .050 Aluminum	Blue	HY3110DA027X27, 20114420
FCB030-214	120"	49"	ABF Gray One Side, MFA Opposite w/ PVC - .050 Aluminum	Gray	--

Composite Panels					
Part No.	A	B	Description	Color	Replaces
FCB030-220	107"	47"	Great Dane Style w/ Joggles	White	GDP43911057, GDP43911688
FCB030-865	109"	46.88"	Vanguard Style w/ Logistics	White	SWP00316
FCB030-875	115.125"	49"	Universal w/ Logistics	White	PNL1-16, GDP41100288
SUP01110516-06	101.625"	50"	Wabash Truck Body (Formerly Supreme) Shiplap 6MM	Penske Yellow	OEM
SUP0661035	101.625"	50"	Wabash Truck Body (Formerly Supreme) Shiplap 6MM	White	OEM
WAB01105099	112.75"	48"	Wabash Logistic 7.5MM	White	OEM
WAB01109842	115.125"	49"	Wabash Logistic 7.5MM	White	OEM
WAB06100673-04	109.375"	48.13"	Wabash 10MM	Averitt Gray	OEM

Corrugated Panels						
Part No.	A	B	Description	Color	Corrg.	Replaces
FCB030-800	105.5"	49"	Utility Style	White	15	03-6001-0-099,03-6001-0-183
FCB030-205	110.25"	49"	Great Dane Style	White	16	11305

FRP Panels					
Part No.	A	B	Description	Color	Replaces
90-4-1666-0-112	4.750"	0.875"	Joint Splice	MFA	035-910

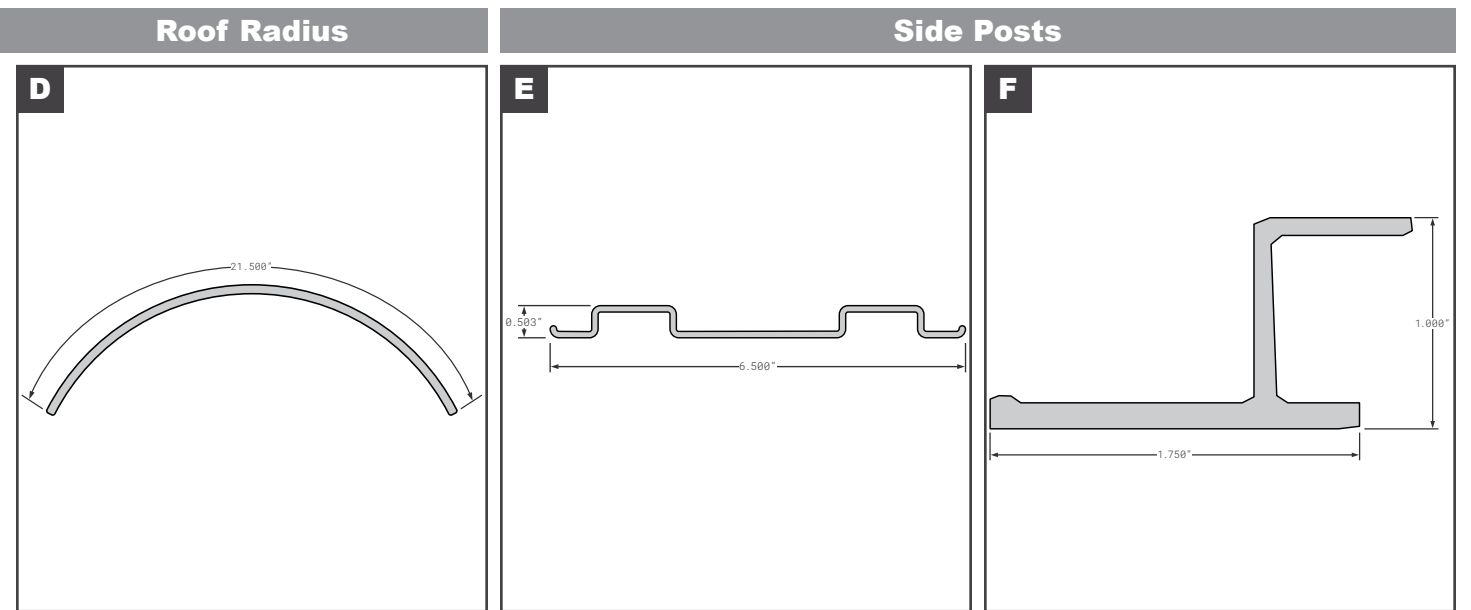
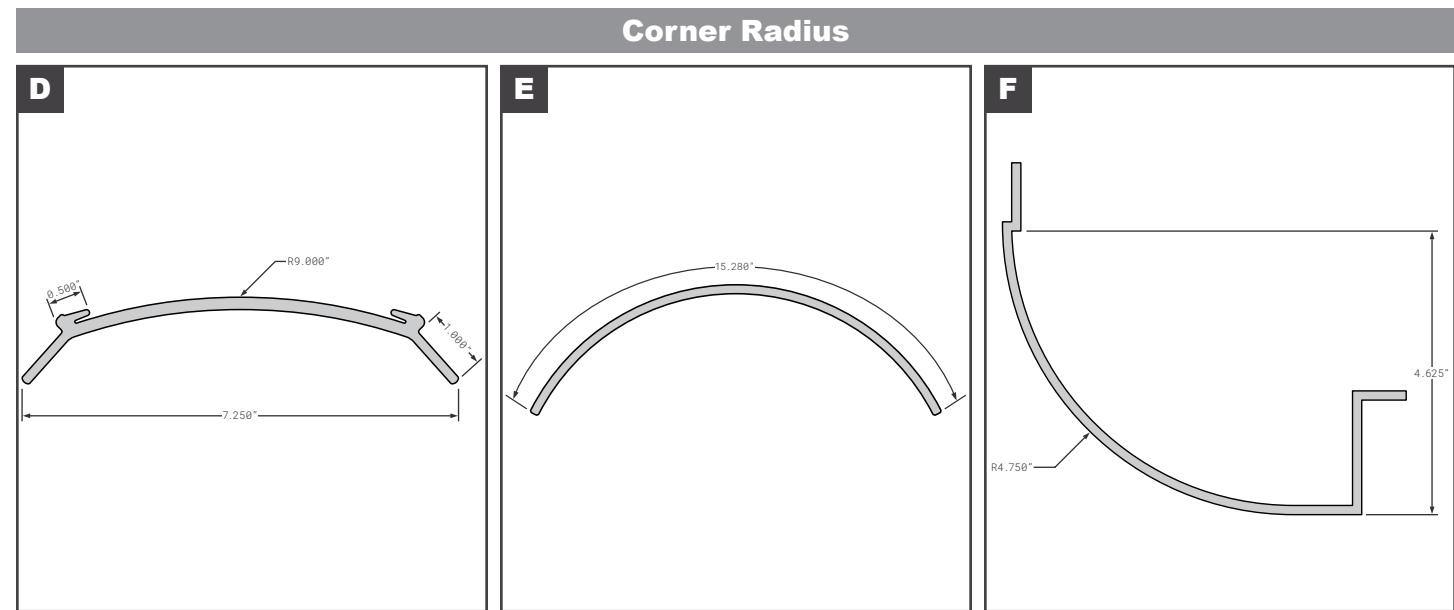
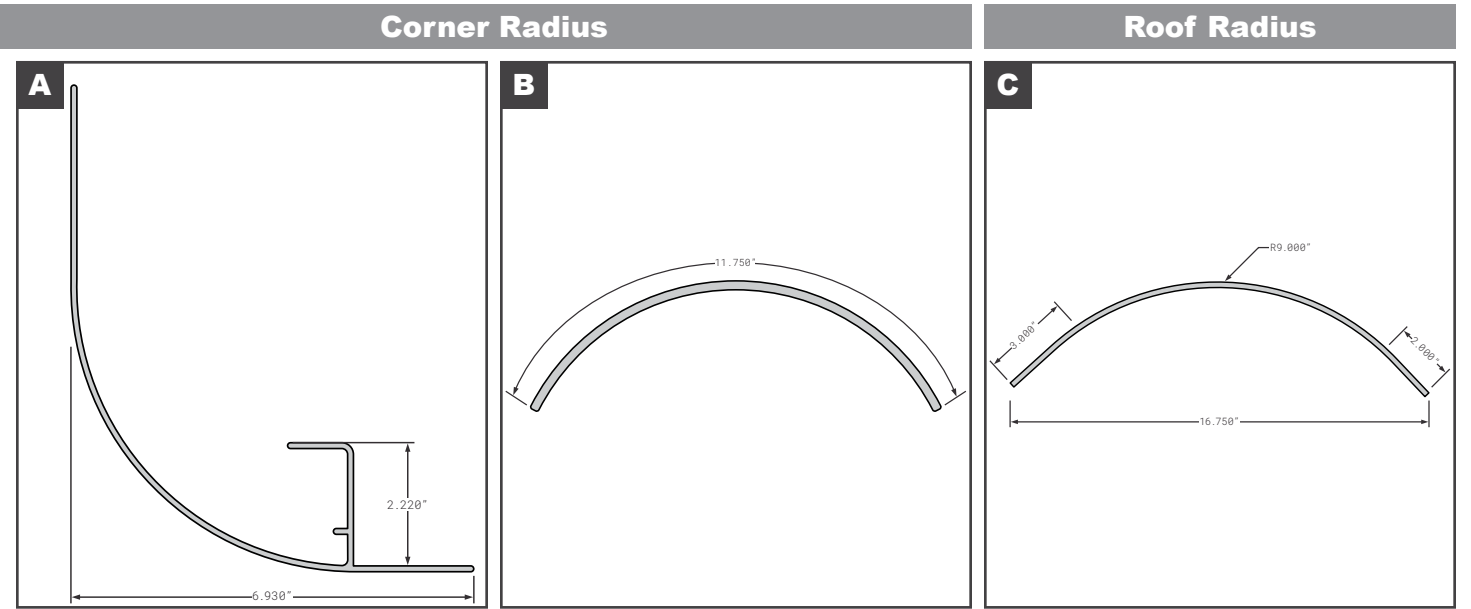
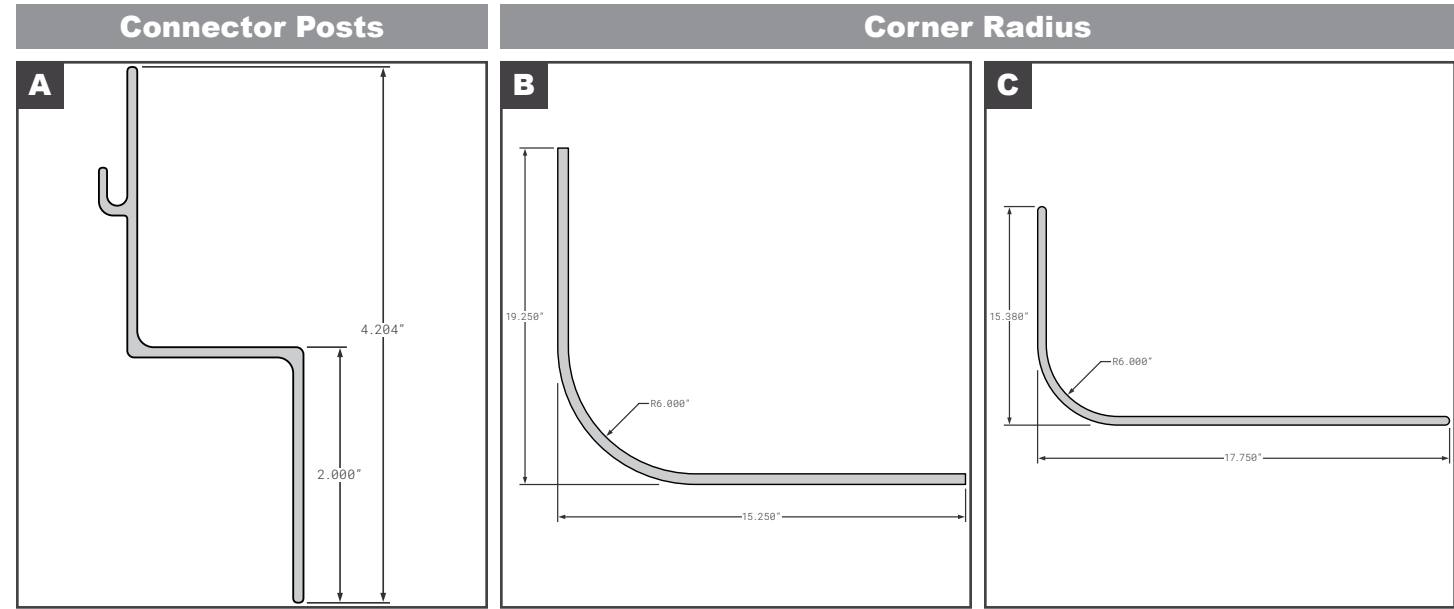
Universal Body Parts | Inner Wall Liner & Scuff

Universal Body Parts | Panels



Universal Body Parts | Posts & Radius Panels

Universal Body Parts | Posts & Radius Panels

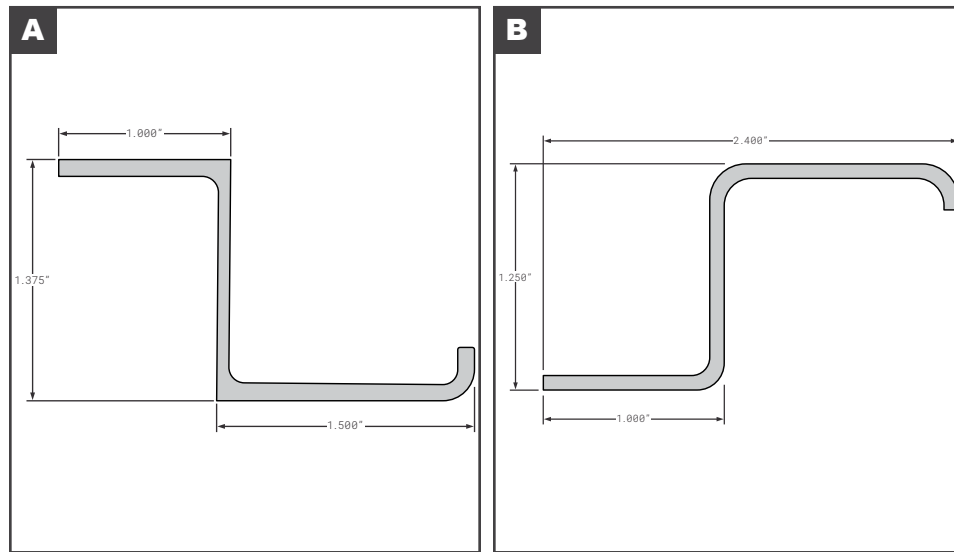


	Part No.	Description	Replaces	Length
A	FCB035-750	Morgan Style GVSD & GVSR Vertical	00165	112.31"
A	MOR00165	Morgan GVSD & GVSR Vertical	OEM	112.31"
B	FCB025-211	Universal 6" Radius Aluminum PPW	GDP69102520001, RP-833K-PPW	110"
C	FCB025-214	Great Dane 6" Radius Aluminum ABF Grey	GDP49900216002	102.25"
D	FCB025-707	Trailmobile Ultra Plate Extruded Mill	RP-130-MFA	117.5"
E	FCB025-754	Morgan Style for 109" Tall - Aluminum Mill Finish	00660	104.31"
F	FCB025-807	Utility New Style 4000D-X, 4000D-X 100 Composite, 4000D-X TBR Dry Freight Extruded Aluminum Mill Finish	01-6500-0-164	120"

	Part No.	Description	Replaces	Length
A	FCB025-880	Wabash Style Duraplate Extruded Aluminum Mill Finish	E8350120, E9261200	120"
B	SUP0027928045	Wabash (Formerly Supreme) Extruded Aluminum Mill Finish	OEM	102"
C	FCB025-753-001	Morgan Style for 102" Wide - Aluminum Mill Finish	13502	86.88"
C	MOR13502	Morgan for 102" Wide - Aluminum Mill Finish	OEM	86.88"
D	SUP04A03269-01	Wabash (Formerly Supreme) Extruded Aluminum Mill Finish	003559914	86.25"
E	FCB035-301	Great Dane Style Side Post Galvanized Steel Universal .5x6.5" 40912301X110 STO 04-20671-006	40912301X110, 04-20671-006	110"
F	FCB035-802	Utility Style 3000R Aluminum	01-6500-0-157	--



Side Posts

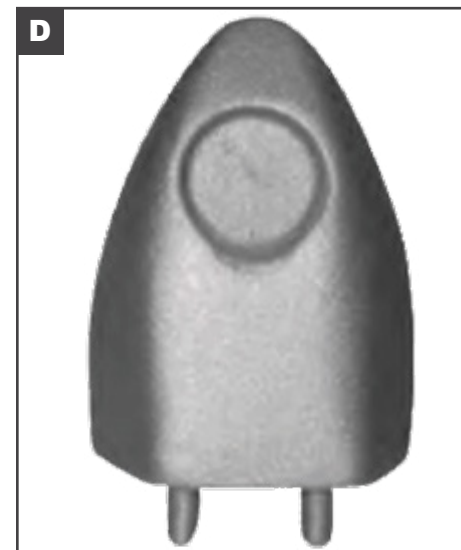


	Part No.	Description	Replaces	Length
A	MORA0000119	Morgan Z 1.38\" - Galvanized Steel	OEM	107\"
B	SUP01201147-07	Wabash (Formerly Supreme) Z 1.25\" Holes 2\" on Center	015554765A, 01201147-07	107.5\"

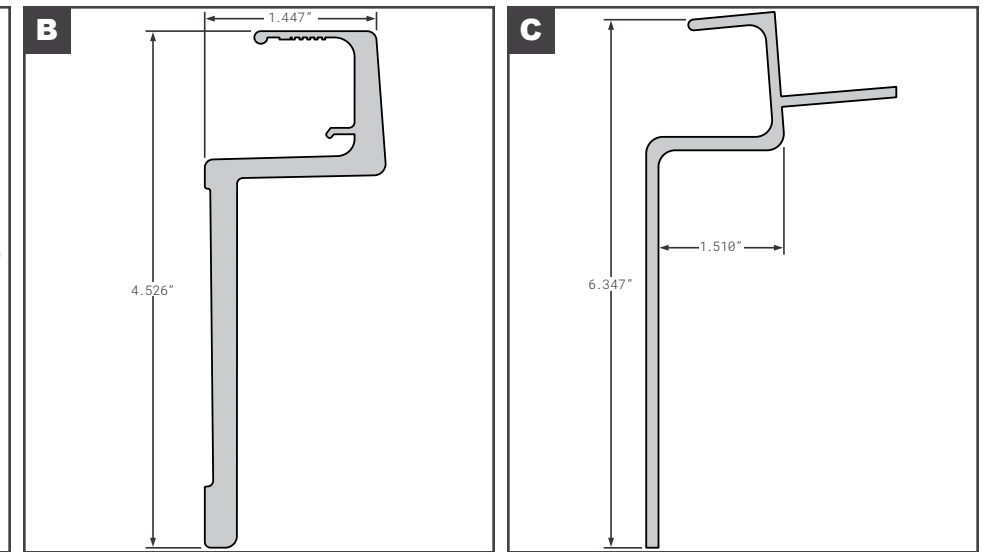
Liftpads



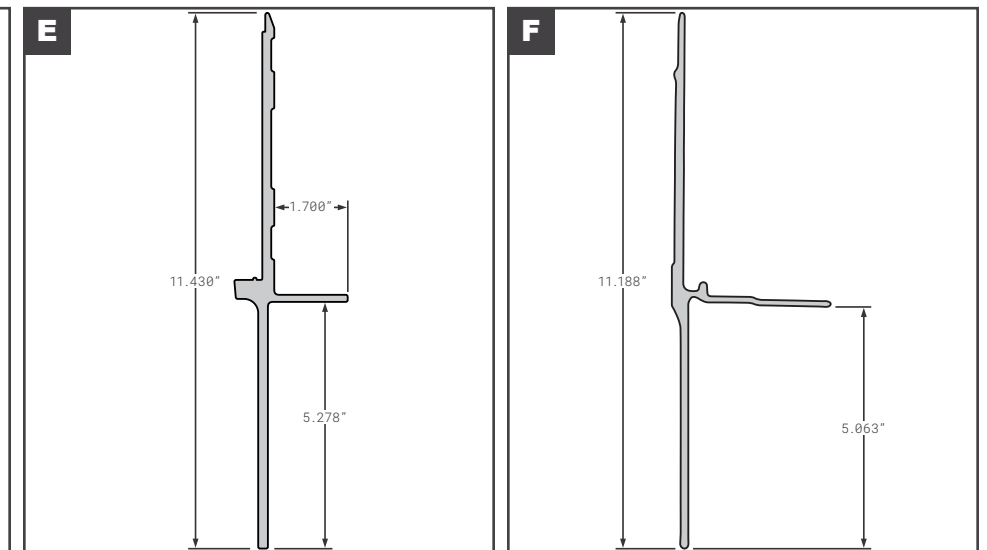
Rub Rail End Caps



Nose Rails



Side Bottom Rails



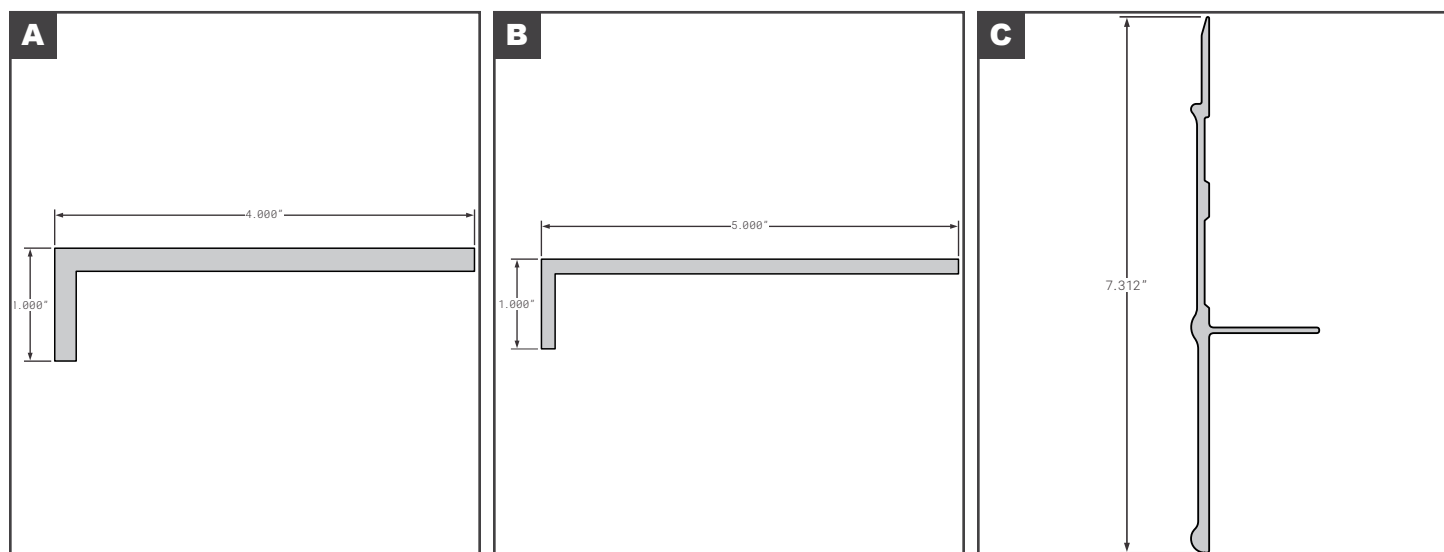
	Part No.	Description	Replaces	Length
A	LIFTPAD-60	5' Lift Pad Galvanized 12GA	--	60\"
A	LIFTPAD-120	10' Lift Pad Galvanized 12GA	--	120\"
B	FCB040-807	Utility Style VS2DC & VS2DX 1 Piece Wrap Around	03-6650-0-510	102\"
C	FCB040-883	Wabash New Style Composite 1 Piece Wrap Around	WAB04A02675	102\"
D	FCB005-890	All Makes Universal Round Half Moon Style	--	--
E	FCB045-220-001	Great Dane Style Composite Plate	60318401, 603184VV-53	624\"
F	FCB045-222	Great Dane Style	GDP60300003-52	624\"



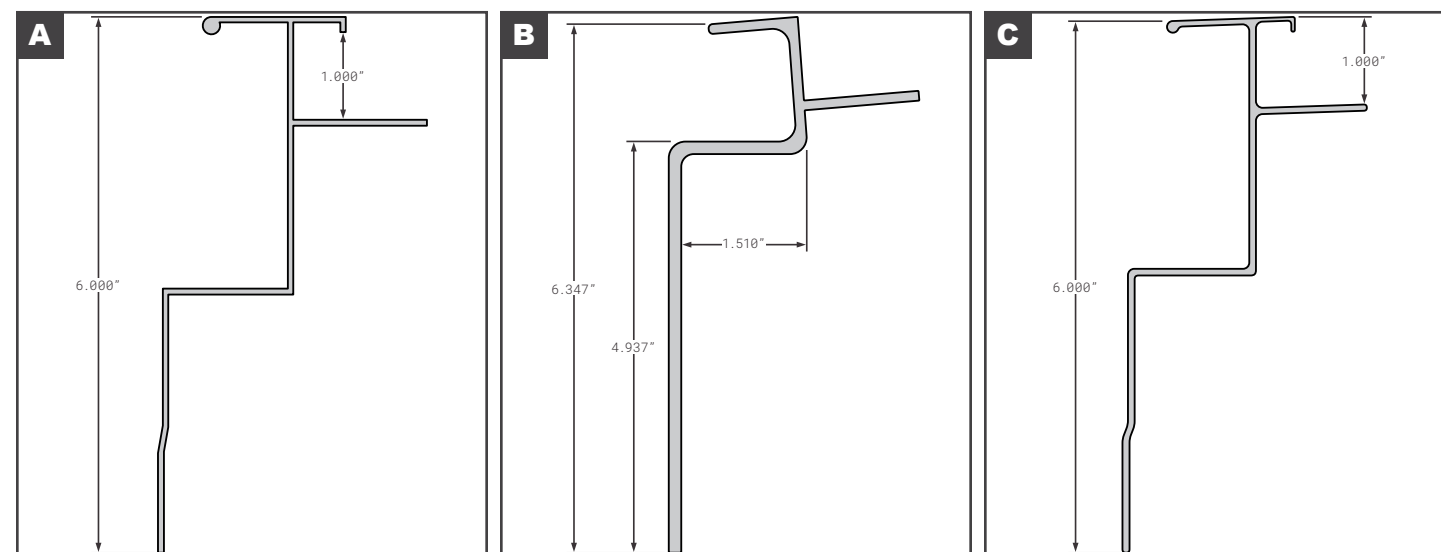
Universal Body Parts | Rails

Universal Body Parts | Rails

Side Bottom Rails



Side Top Rails

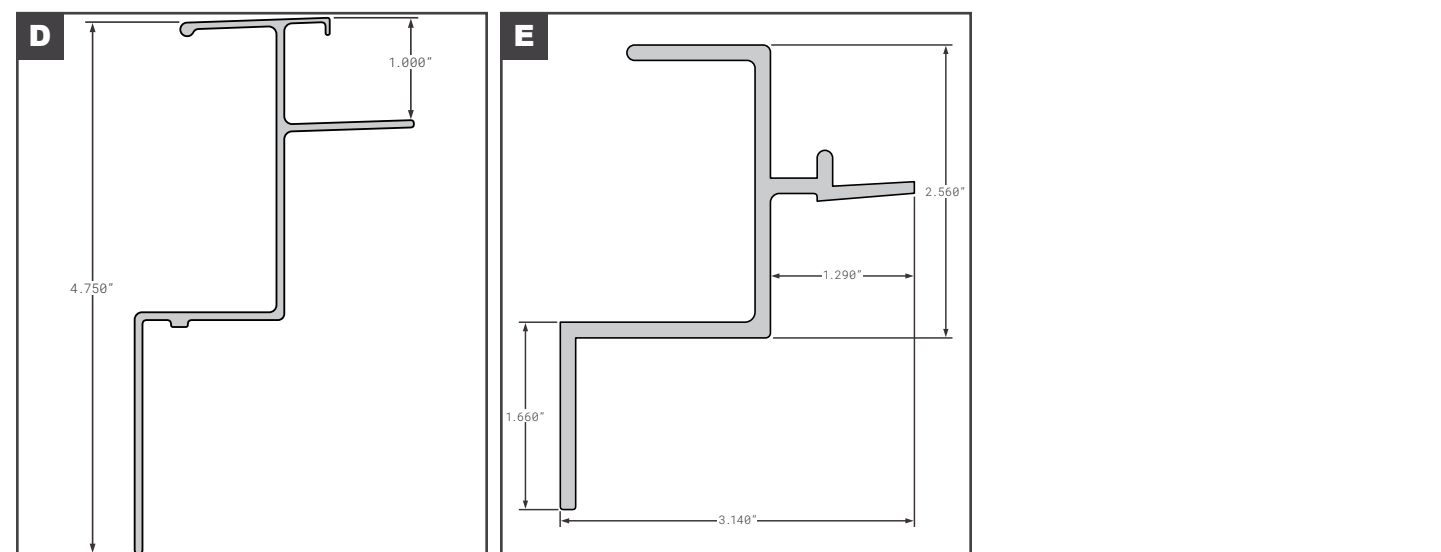
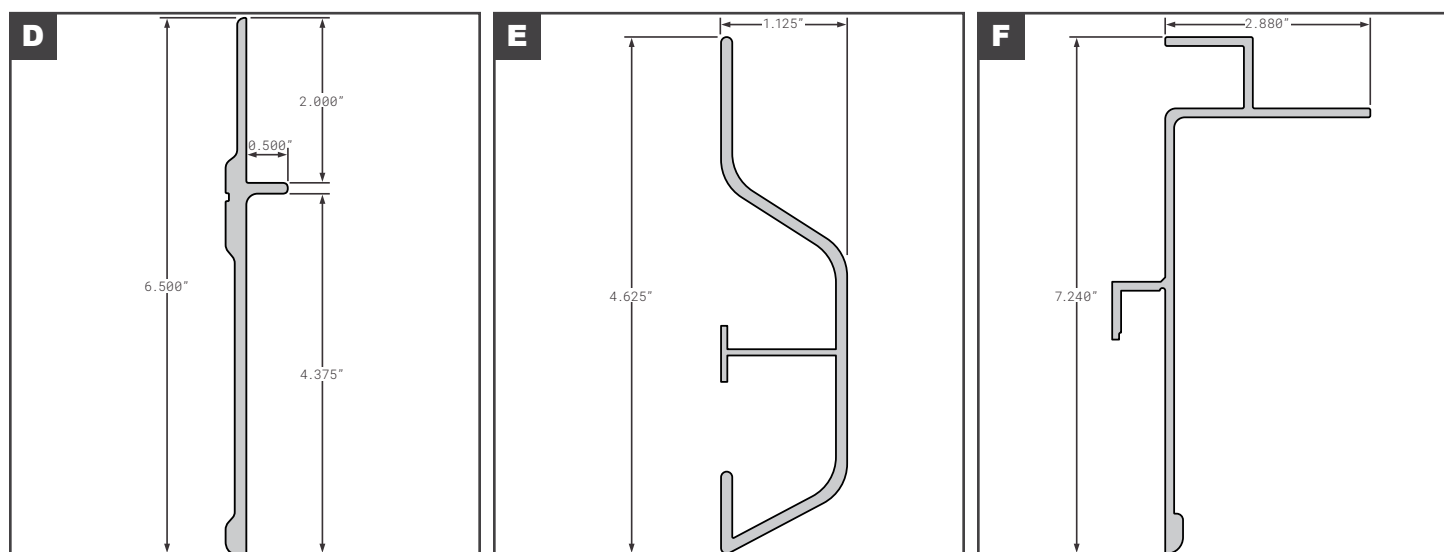


Side Bottom Rails

Side Rub Rails

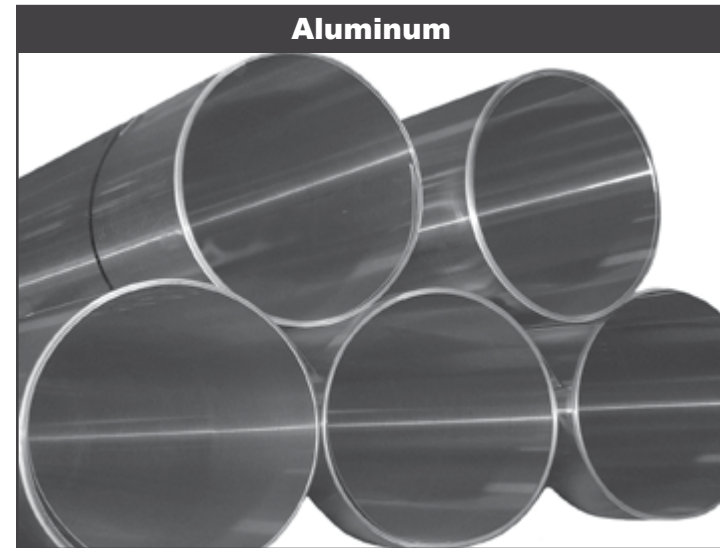
Side Top Rails

Side Top Rails

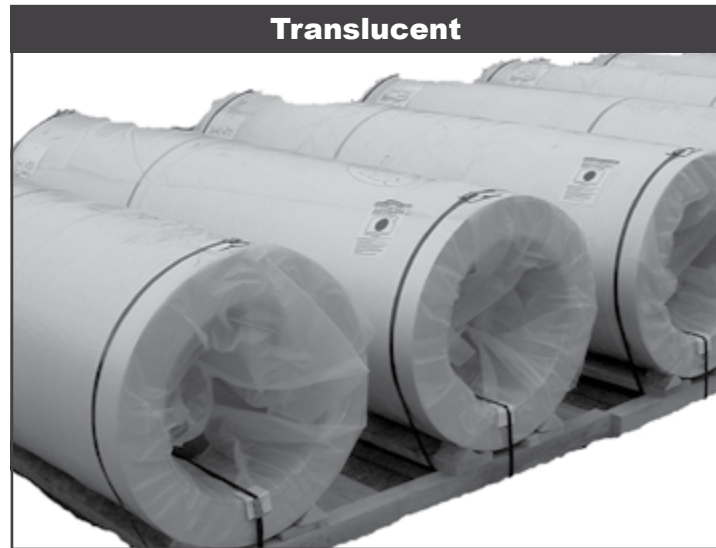


	Part No.	Description	Replaces	Length
A	FCB045-910	Universal Reinforcement Steel Angle 1 x 4"	--	120"
B	FCB045-911	Universal Reinforcement Steel Angle 1 x 5"	--	120"
C	MOR000785	Morgan GVSD & GVSR	OEM	301"
D	SUPED673294	Wabash (Formerly Supreme) S Series	OEM	329.25"
E	FCB045-890	All Makes Universal Rub Rail	WABE076000, WABE0766130, 0218804 613 50, 60314403	624"
F	FCB050-220-001	Great Dane Style Composite Plate	60318848X624.13, 60318848-53	624"

	Part No.	Description	Replaces	Length
A	FCB050-756	Morgan Style N/S GVSD & GVSR	00015904	336"
B	FCB050-883	Wabash Style N/S Composite Plate	WABE9246260	624"
C	MOR00015904	Morgan New Style GVSD & GVSR	OEM	325"
D	MOR00033901	Morgan New Style GVFD & GVMD	OEM	325"
E	SUP002076570012	Wabash (Formerly Supreme) S Series & VF	OEM	317"
E	SUPEC783900	Wabash (Formerly Supreme) S Series & VF	OEM	390"



Aluminum



Translucent

Aluminum Roofing

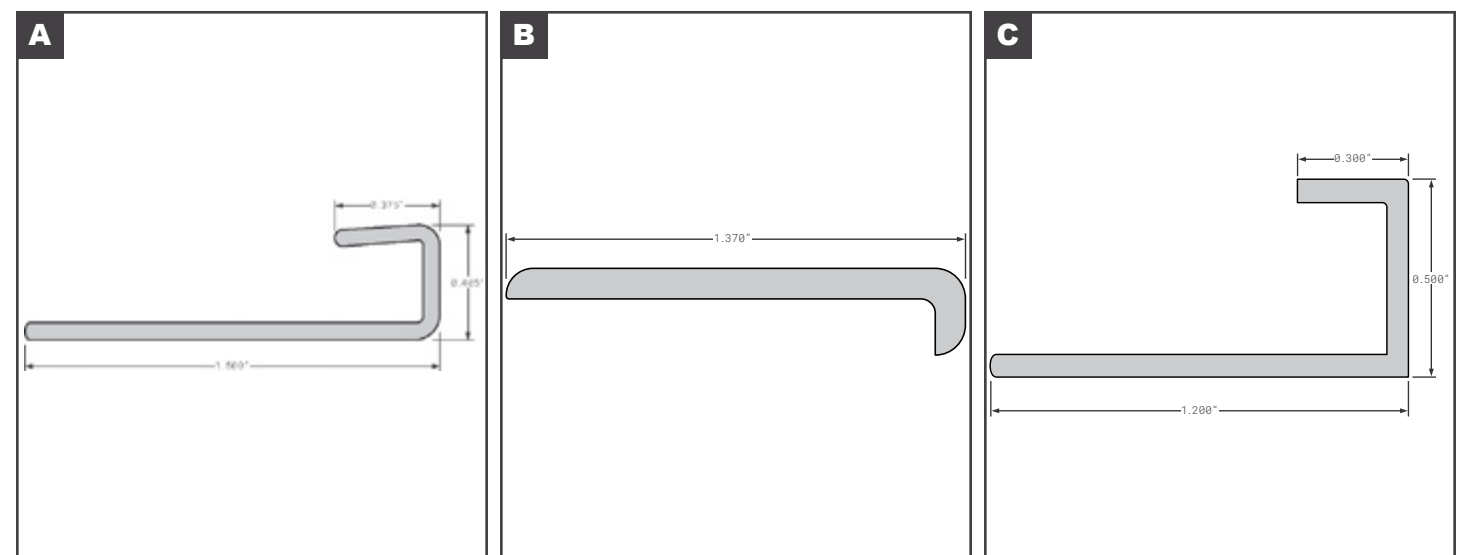
Part No.	Description	Replaces	Length
040X103	Roof Coil .040 24" ID Master Coil-Weight Approx 4000-4500#	Universal	--

Translucent Roofing

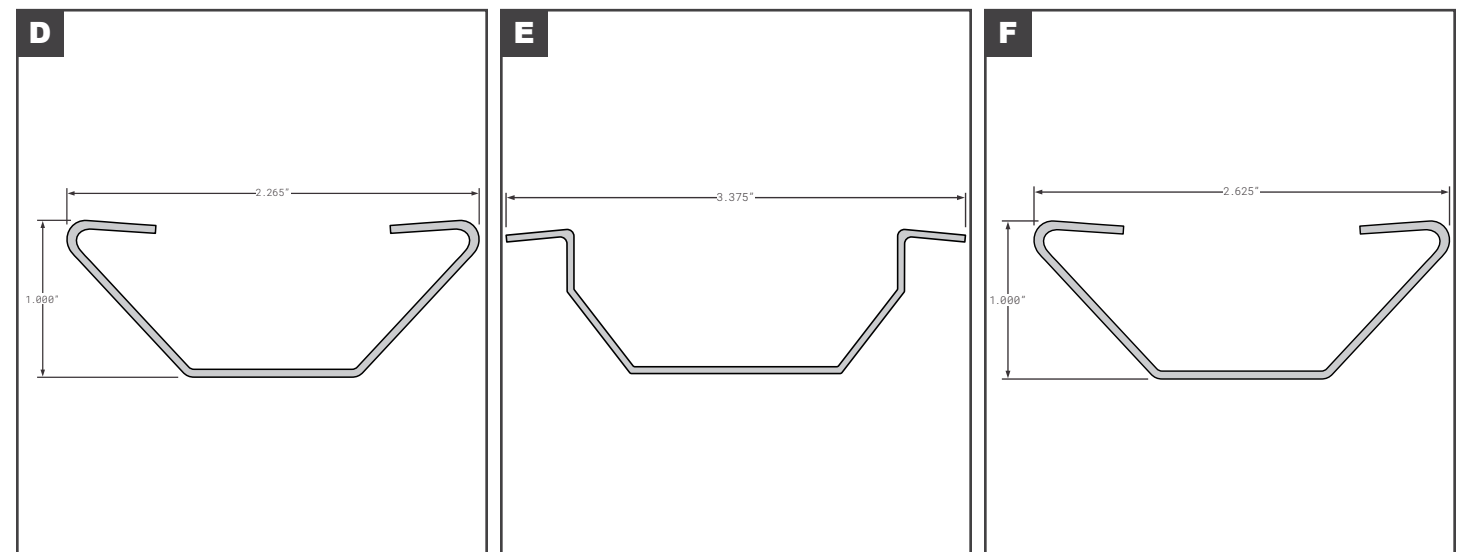
Part No.	Description	Replaces	Length
1164532	Roof Translucent 075X102X54 — ETR	Universal	648"
1165075	Roof Translucent 075X103X55	Universal	660"
1164250-MC18	Roof Translucent 075X103 Master Coil = 250 18" Center Diameter	Universal	250'
1164500-MC	Roof Translucent 075X103X500 Master Coil = 500	Universal	500'
NL075X102.5X54	Roof Translucent 075X102.5X54	Universal	648"
NL075X102MC	Roof Translucent 075X102 Master Coil =500'	Universal	500'
NL075X102X29	Roof Translucent 075X102X29	Universal	348"
NL075X102X54	Roof Translucent 075X102X54	Universal	648"
NL075X102X500GS	Roof Translucent Master Coil — XLR	Universal	500'
NL060X102X250	Roof Translucent TRW Master Coil — 060X102	Universal	250'



J Moldings



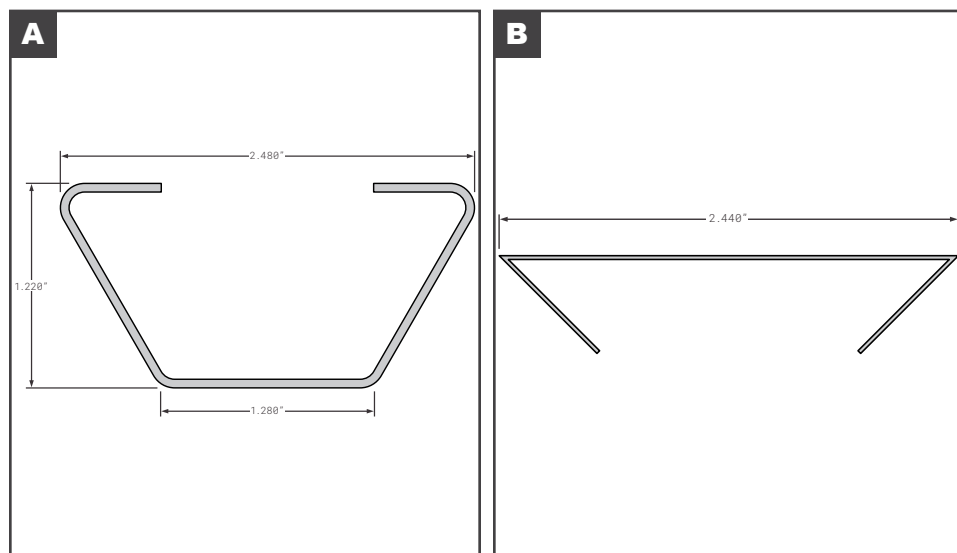
Roof Bows



	Part No.	Description	Replaces	Length
A	X6148X120	J Modeling 1/4 x 120. Aluminum	91940	120"
B	SUPEC790960	Non-Punched Roof Clamp	--	96"
C	X6138X120	1/2" Side Nose Rail Reinforcement	Universal	120"
D	1011039	Galvanized Steel Anti-Snag	Universal	99"
E	FCB055-805	Utility Style Galvanized Steel Anti-Snag	3-1600-053	99.5"
F	MOR0190340	Morgan Galvanized Steel Single Hole	OEM	98"



Roof Bows

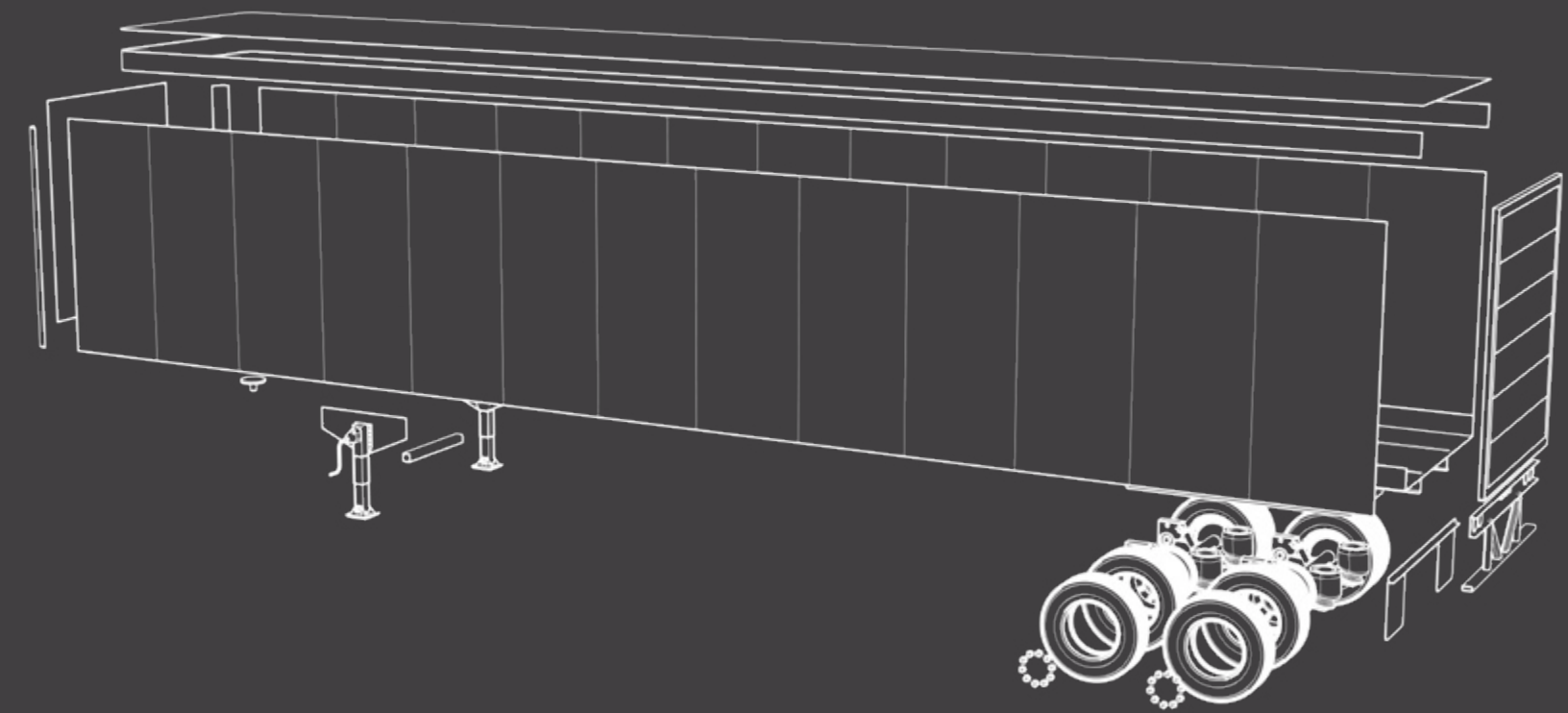


	Part No.	Description	Replaces	Length
A	SUP07200142-03	Wabash Truck Body (Formerly Supreme) 015084002A	OEM	90.88"
A	SUP07200142-04	Wabash Truck Body (Formerly Supreme) 015084003A	OEM	96.88"
B	SUP07200143-04	Wabash Truck Body (Formerly Supreme) Steel Roof Bow Insert	15557731	93.88"

Roof Sealant



	Part No.	Description	Brand	Color	Size	Quantity
A	1164530	Fiberglass Roof Repair Kit	SunPatch	Translucent	12" X 12"	1
B	V1212W	Aluminum Patch	Vanfastic	White	12" X 12"	10/Box
B	V1224W	Aluminum Patch	Vanfastic	White	12" X 24"	5/Box
C	30500	Leak-No-More Roof Sealer	Manus-Bond	--	1 gal	4/Case
D	1013477	Roof Sealer Seal Gap	Manus-Bond	--	1 gal	4/Case
E	1013479	Aluminum Roof Seal Trowel Grade 65H	Manus-Bond	Aluminum	1 gal	4/Case



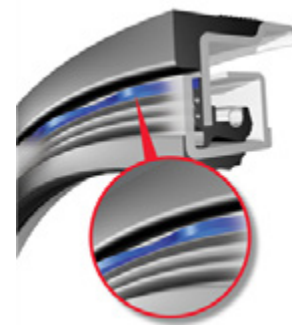
Wheel End



Bearings



Timken	National	Stemco	SKF /HY-ATT	Type	Bore Diameter	OD	Cone	Cup
SET4T	A4	--	BR4	--	--	11.9375"	--	--
SET415T	HD208	ASET445-410	SET415	Taper Set	3.5"	11.6875"	HM518445	HM518410
SET414T	HD201	ASET248-210	SET414	Taper Set	3.542"	15.938"	HM218248	HM218210
SET413T	HD200	ASET049-011	SET413	Taper Set	2.625"	18.3594"	HM212049	HM212011
SET406T	HD205	--	SET406	Taper Set	1.75"	14.5"	3782	3720
SET403T	HD203	ASET594A-92A	SET403	Taper Set	3.75"	15"	594A	592A
SET401T	HD206	ASET580-72	SET401	Taper Set	3.25"	15.625"	580	572
SET17T	A17	--	BR17	--	--	15.625"	--	--
HM518445T	HM518445	--	HM518445	Taper Cone	3.5"	11.625"	--	--
HM518410T	HM518410	--	HM518410	Taper Cup	--	11.99"	--	--
HM218248T	HM218248	--	HM218248	Taper Cone	3.542"	13.1875"	--	--
HM218210T	HM218210	--	HM218210	Taper Cup	--	13.19"	--	--
HM212049T	HM212049	--	HM212049	Taper Cone	2.625"	14.625"	--	--
HM212011T	HM212011	--	HM212011	Taper Cup	--	12.6875"	--	--
594AT	594A	--	594A	Taper Cone	3.75"	14.2969"	--	--
592AT	592A	--	--	Taper Cup	--	15.31"	--	--
580T	580	--	--	Taper Cone	3.25"	10.3438"	--	--
572T	572	--	--	Taper Cup	--	11.0625"	--	--
3984T	3984	--	--	Taper Cone	2.625"	15.43"	--	--
3920T	3920	--	--	Taper Cup	--	13.5938"	--	--
387AT	387A	--	387A	Taper Cone	2.25"	12.1875"	--	--
382AT	382A	--	382A	Taper Cup	--	12.1875"	--	--
28682T	28682	--	BR28682	Taper Cone	2.25"	12.1875"	--	--
28622T	28622	--	28682	Taper Cup	--	12.1875"	--	--
25580T	25580	--	212392	Taper Cone	1.75"	12.1875"	--	--
25520T	25520	--	212393	Taper Cup	--	12.1875"	--	--
15123T	15123	--	580	Taper Cone	1.25"	15.625"	--	--
14276T	14276	--	572	Taper Cup	--	15.625"	--	--
14125AT	14125A	--	594A	Taper Cone	1.25"	15.625"	--	--
02475T	02475	--	592A	Taper Cone	1.25"	15.625"	--	--



Better

VOYAGER®

Regional route trucks, city delivery and coach applications. The Voyager wheel seal features a rugged design, simple installation and proven performance make Voyager the right choice for fleets seeking a superior seal for everyday stop-and-go traffic environments.

GRIT GUARD®

For severe service; dirty, unfriendly environments; cold-climates. Engineered for exceptional performance, durability and contaminant exclusion in severe service applications, the STEMCO Grit Guard hub seal features a two-piece design that reduces maintenance and unnecessary wear on expensive spindles.

Good

SCOTSEAL CLASSIC

When reliability in extreme operating conditions and wide temperature ranges are crucial drivers, Scotseals provide excellent service life and dirt exclusion. Designed to retain oil or grease, they are available in a number of sizes for the most common steer, drive or trailer axles.

Better

SCOTSEAL X-TREME

Boost your truck uptime and increase service intervals with the Scotseal X-Treme. It is available in various dimensions for truck, bus and trailer wheel ends for driven and non-driven axles.

Best

DISCOVER®

The premium seal with STEMCO's latest technology, required to obtain STEMCO's PPS warranty package. Made with a high-quality temperature-resistant material and featuring multi-labyrinth sealing for long-life applications, these high-performance seals have been equipped with the patented GlideLock technology to deliver the most advanced wheel seal available.

GUARDIAN® HP

The standard seal for trailer and axle original equipment manufacturers. The Guardian HP incorporates the best features for preventing the leading causes of seal-life degradation - contamination ingress and heat generation.

Best

SCOTSEAL PLUS XL

Equip your semi to be Ready for the Road Ahead™, with the SKF Scotseal Plus XL Wheel Seal for 12,000 lb Steer Applications, a crucial component for enhanced axle protection and lubricant leakage prevention. Due to its ability to tightly fit inside the hub assembly, this replacement wheel seal effectively prevents contaminants from entering the wheel, while locking in lubricant.

RED 37 SERIES

Single spring-loaded sealing lip effectively pumps lubricant back into hub. Unitized construction provides structural integrity and main lip protection. Unique SURE-LOCK I.D. rib technology firmly grips shaft and provides superior contaminant exclusion. Metal O.D. maintains position on hub bore. Three floating points of contact lock out dirt and moisture.

GOLD 38 SERIES

Patented PTFE Lay-Down Bi-Directional Sealing Lip maintains constant sealing during wheel movement. Four floating points of contact and bumper pad that inhibits contaminant entry into the hub. SURE-LOCK I.D. rib technology firmly grips shaft and provides superior contaminant exclusion. Metal O.D. maintains position on hub bore. A unitized shield prevents damage to PTFE oil sealing lip and provides structural integrity.

RED 375 DYNAMIC EDGE®

DYNAMIC EDGE® pumping feature deflects contamination away from the face of the seal. Four floating points of contact lock out dirt and moisture. Single spring-loaded sealing lip effectively pumps lubricant back into hub. Unique SURE-LOCK I.D. rib technology firmly grips shaft and provides superior contaminant exclusion. Unitized construction provides structural integrity and main lip protection. Metal O.D. maintains position on hub bore.

Trailer Axle Seals

	Stemco	National	SKF / General Bearing	Meritor Standard	ConMet	Axle Type
Bearing Combination: Inner: HM518410/HM518445 Outer: HM518410/HM518445						
Good	373-0423	370065A	CHR42623	--	--	Trailer
Better	373-0123	380065A	CHR42627XT	MER0123	CON10045889	
Best	307-0723	375065A	CHR42627	--	--	
	372-7099	--	--	--	--	
Bearing Combination: Inner: HM218210/HM218248 Outer: HM212011/HM212049						
Good	373-0443	370025A	CHR46305	--	--	Trailer
Better	373-0143	380025A	CHR46300XT	MER0143	CON1004588	
Best	307-0743	375025A	CHR46300	--	--	
	372-7097	--	--	--	--	



Drive Axle Seals

	Stemco	National	SKF / General Bearing	Meritor Standard	ConMet	Axle Type
Bearing Combination: Inner: 592A/598A/598/594A/594 Outer: 572/580/575/580						
Good	393-0273	370003A	CHR47697	--	--	Drive
Better	393-0173	380003A	CHR47691XT	MER0173	CON10045887	
Best	309-0973	375003A	CHR47693	--	--	
	392-9131	--	--	--	--	

Steer Axle Seals

	Stemco	National	SKF / General Bearing	Meritor Standard	ConMet	Axle Type
Bearing Combination: Inner: 39520/39581/HM212011/HM212044/553X/557A/HM212049/HM212049X, X1/HM212047 Outer: 3525/3585/ 3720/3782						
Good	383-0236	370001A	CHR35066	--	--	Steer
Better	383-0136	380001A	CHR35058XT	MER0136	CON10045885	
Best	308-0836	375001A	CHR35103	--	--	



Good

Pro-Torq®
Increase tire life and reduce seal failure with the Pro-Torq® axle fastener. With bearing adjustment increments down to 0.001" and exacting cup and cone alignment on the spindle, nothing compares to the precision of Pro-Torq. By producing reliable low end play bearing adjustments and axial motion control, Pro-Torq helps ensure accurate wheel-speed monitoring on anti-lock braking systems.

Better

Zip-Torq®
With its robust single piece design, Zip-Torq takes the guess work out of bearing adjustment. Zip-Torq is a unitized axle fastener that uses a patented self-locking ratchet system to secure the wheel end and prevent back off. Zip-Torq consistently delivers accurate endplay between .001"-.005" using the STEMCO 2-1-1 method. Single piece design allows installation without special tooling. No clips, keepers, snap rings or screws to install.

Best

Auto-Torq®
The Auto-Torq axle fastener is designed to streamline wheel end installation by eliminating the need for complex processes and specialty tools—no washers, clips, snap rings, screws, or keepers needed. An all-in-one solution that's compatible with any industry hub manufacturer, Auto-Torq securely applies the optimum clamp load on the bearings every time to minimize wear and maximize service life.



3-Piece Nut

Increase tire life and reduce seal failure with the Pro-Torq® axle fastener. With bearing adjustment increments down to 0.001" and exacting cup and cone alignment on the spindle, nothing compares to the precision of Pro-Torq. By producing reliable low end play bearing adjustments and axial motion control, Pro-Torq helps ensure accurate wheel-speed monitoring on anti-lock braking systems.

Precision 240^{®3} & 320^{®2}

The PRECISION NUT system features five times the adjustment resolution of competitive spindle nut systems to allow for more precise bearing adjustments thus elevating bearing and seal performance beyond traditional levels. Additionally, the system's unique two-piece design can help save installation time compared to competitive three-piece nut systems.

Stemco Axle Nuts

Pro-Torq®



Zip-Torq®



Auto-Torq®



Installation Instructions



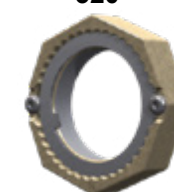
Pro-Torq®	Zip-Torq®	Auto-Torq®	Axle Type	Description	Thread	Outer Bearing Cone/Cup
447-4723	400-4723	480-4723-XR	Trailer	"P" Parallel Trailer 22,500	3.480"-12	HM518445/ HM518410 SET415
447-4743	400-4743	480-4743-XR	Trailer	"N" Tapered Trailer 17,000#-22,500#	2-5/8"-16	HM212049/ HM212011 SET413
449-4973	400-4973	--	Trailer	34,000-46,000# Eaton, Meritor, Dana, Navistar, 50,000# Mack	3 1/4"-12	HM518445/ HM518410
448-4836	400-4836	--	Steer	"FF" Steer 12,000#	1-1/2"-12	3782/3720 SET406
448-4837	400-4837	--	Steer	"FF" Steer 12,000#	1-1/2"-18	3782/3720 SET406
448-4864	400-4864	--	Steer	Mack Steer 18,000#, 20,000#	2"-12	555S/552A
448-4865	400-4865	--	Steer	"FL" Steer	1-3/4"-12	555S/552A 3720/3979
449-4904	400-4904	--	Drive	Mack Drive 34,000#, 38,000#, 44,000#	2-7/8"-12	47679/47620 575/572 567/563
449-4973	400-4973	--	Drive	"R" Drive 34,000#-46,000#, 50,000#	3-1/4"-12	580/572 SET401

Hendrickson Axle Nuts

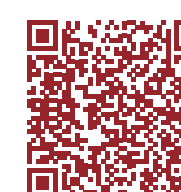
3-Piece Nut



Precision 240^{®3} 320^{®2}



Installation Instructions



Part Number	Description	Spindle	Includes
HNDS-32844-2	Precision 320 ^{®2}	HP/HX	(1) Spindle Nut, Washer, and (2) Screws
HNDS-33332-2	Precision 240 ^{®3}	HN	(1) Spindle Nut, Washer, and (2) Screws
HNDS-20492-2	Hendrickson 3-Piece Nut	HN	(1) Each, Inner Axle Nut, Outer Axle Nut, Axle Lock Washer and Set Screw
HNDS-20475-2	Hendrickson 3-Piece Nut	HP	(1) Each, Inner Axle Nut, Outer Axle Nut, Axle Lock Washer and Set Screw



Hubdometers



Hubodometer Selector



Stemco	Timken	Type	Rev/Mile	Tire Size	Image
650-0587	---	Analog	480	10-22	
650-0598	46500M	Analog	500	15R22.5	
650-0601	---	Analog	504	285/75R24.5	
650-0605	---	Analog	513	11R22.5	
650-0608	46520M	Analog	520	295/75R22.5	
650-0610	---	Analog	522	295/75R22.5	
650-0613	---	24.98"	532	295/75R22.5	
650-0626	---	26"	570	295/75R22.5	
600-9999	---	Digital	Programmable		
801-6000	DataTrac Programmer				
610-0006	---	Bracket	2 Leg, 5/8" Stud		
610-0028	---	Bracket	4 Leg Bracket, 5.5" Bolt Circle		
610-0065	---	Bracket	2 Leg Bracket		
610-0084	---	Bracket	4 Leg Bracket, Stemco Airbat		

Hubs

Part No.	Axle	Material	Wheel Material	Bolt Circle	Studs	Brake Size	Brake Type	Image
8013811	TP Trailer	Iron	Aluminum	11-1/4"	10, Long	16.5"x7"	Drum	
8013809	TN Trailer	Iron	Aluminum	11-1/4"	10, Long	16.5"x7"	Drum	
CON10082251	TN Trailer, Tapered	Iron	Steel	11-1/4"	10, Short	16.5"x7"	Drum	
CON10082252	TN Trailer, Tapered	Iron	Aluminum	11-1/4"	10, Long	16.5"x7"	Drum	
CON10082255	TP Trailer, Parallel	Iron	Steel	11-1/4"	10, Short	16.5"x7"	Drum	
CON10082256	TP Trailer, Parallel	Iron	Aluminum	11-1/4"	10, Long	16.5"x7"	Drum	
10-20161-102	TP Trailer	Iron	Steel	11-1/4"	10, Short	16.5"x7"	Drum	
WBB20231--3T	TP Trailer	Cast	Steel	11-1/4"	10, Short	16.5"x7"	Drum	
WBB20231--5T	TP Trailer	Cast	Aluminum	11-1/4"	10, Short	16.5"x7"	Drum	
WBB23431--3T	TP Trailer	Cast	Steel	11-1/4"	10, Short	16.5"x7"	Drum	
WBB20271--3T80	TP	Cast	Steel	10.827"	8, Short	12.25"x7"	Drum	



Pre-Set Hubs



Wheel End Component Selector 

Part No.	Axle	Material	Inboard Bearing	Outboard Bearing	Studs	Brake Type	Image
CON10082217	Drive, R	Aluminum	SET429	SET430	Long	Drum	
CON10082219	Drive, R	Iron	SET429	SET430	Long	Drum	
CON10082227	TN Trailer, Tapered	Aluminum	SET414	SET43	Long	Drum	
CON10082226	TN Trailer, Tapered	Steel	SET414	SET413	Short	Drum	
CON10082230	TP Trailer, Parallel	Steel	SET415	SET415	Short	Drum	
CON10082231	TP Trailer, Parallel	Iron	SET415 or 432	SET415 or 432	Long	Drum	
CON10083398	TP Trailer, Parallel	Aluminum	SET415 or 432	SET415 or 432	Long	Disc	
CON10083400	TN Trailer, Tapered	Iron	SET414	SET413	Long	Disc	
CON10083402	TP Trailer, Parallel	Iron	SET415	SET415	Long	Disc	
CON10083516	TP Trailer, Parallel	Iron	HM518410 Bearing Cup	HM518410 Bearing Cup	Long	Disc	
CON10086804B	TN Trailer, Tapered	Iron	SET414	SET413	Short	Drum	
REVRD-0001	Universal Hub Drain Pan						

Hub Caps

Part No.	Description	Type	Bolt Circle	Bolt Size	Bolt Studs	Image
359-5990	Large Red Hub Cap Plug, 2-3/4" Diameter	Rubber	---	---	---	
300-4009	Bolt-On Hub Cap with Gasket	Oil	5-1/2"	6	5/16"	
340-4195	Standard Hub Cap with Gasket, No Oil Port	Grease	6-3/4"	6	5/16"	
343-4195	Standard Hub Cap with Oil Port	Oil	6-3/4"	6	5/16"	
358-4195	Hub Cap, Integra Sentinel Grease	Grease	6-3/4"	6	5/16"	
300-5096	Stamped Steel Hub Cap with Vent	Grease	5-1/2"	6	5/16"	
342-4009	Hub Cap w/ Gasket, Dirt Exclusion	Grease	5-1/2"	6	5/16"	
352-4195	Hub Cap, Duckbill Vent Grease	Grease	6-3/4"	6	5/16"	
CHR1612	Hub Cap w/ Gasket	Oil	4-1/2"	6	5/16"	
CHR450799	Hubcap Gasket for CHR1399	---	6-3/4"	6	5/16"	
330-3009	Hubcap Gasket for 340-4009	---	5-1/2"	6	5/16"	
330-3118	Hubcap Gasket for 340-4195	---	6-3/4"	6	5/16"	



Wheels

Part Number	Description	Material	Color	Holes	Bolt Circle	Temp Range
ACU27404PKWHT21	22.5 x 8.25 Steel Wheel - Stud-Piloted	Steel	White	10	11.25"	
ACU27406PKWHT21	24.5 x 8.25 Steel Wheel - Stud-Piloted	Steel	White	10	11.25"	
ACU28112PKWHT21	17.5 x 6.75 Steel Wheel - Stud-Piloted	Steel	White	10	8.75"	
ACU28656PKWHT21	17.5 x 6.75 Steel Wheel - Hub-Piloted	Steel	White	8	10.83"	
ACU28827PKWHT21	24.5 x 8.25 Steel Wheel - Hub-Piloted	Steel	White	10	11.25"	
ACU50409PKWHT21	24.5 x 8.25 Steel Wheel - Hub-Piloted	Steel	White	10	11.25"	
ACU51408PKBLK21	22.5 x 8.25 Steel Wheel - Hub-Piloted	Steel	Black	10	11.25"	
ACU51408PKWHT21	22.5 x 8.25 Steel Wheel - Hub-Piloted	Steel	White	10	11.25"	
ACU51487PKWHT21	22.5 x 8.25 Steel Wheel - Hub-Piloted	Steel	White	10	11.25"	
ACU51487PKWHT21	22.5 x 8.25 Steel Wheel - Hub-Piloted	Steel	White	10	11.25"	
ACU41644XP	22.5 x 8.25 Aluminum Wheel - Hub-Piloted - Extra Polish	Aluminum	Extra Polish	10	11.25"	
ACU42362SP	15deg Aluminum Wheel - Standard Polish	Aluminum	Std Polish	10	11.25"	
ACU43644SP	Accu-Lite(R) 22.5 x 8.25 38# Aluminum Wheel - Hub-Piloted - Standard Polish	Aluminum	Std Polish	10	11.25"	
ACU43644XP	Accu-Lite(R) 22.5 x 8.25 38# Aluminum Wheel - Hub-Piloted - Extra Polish	Aluminum	Extra Polish	10	11.25"	

Spacer Bands

Part Number	Description	Diameter	Width	Material	Type
ACU4220KSB	Spacer Band	20"	4-1/4"	Gray Steel	Channel
ACU4222KSB	Spacer Band	22"	4-1/4"	Gray Steel	Channel
ACU3320KSB	Spacer Band	20"	3-3/8"	Gray Steel	Channel
ACU3520KSB	Spacer Band	20"	3-5/8"	Gray Steel	Channel
ACU4015KSB	Spacer Band	15"	4"	Gray Steel	Channel
ACU4022KSB	Spacer Band	22"	4"	Gray Steel	Channel



ACU4220KSB

Wheel Nuts

Euclid	Fleetcraft	Description	Thread
EUCE9020	106333	Wheel Nut	22MMX1.5, 33MM Hex
E5991	88881	Wheel Nut - Flanged Nut	22MMX1.5, 33MM Hex



E5991

Wheel Guards

Part Number	Description	Holes	Stud Size	Bolt Circle
ACU590-1	Wheel Guard - Stud Piloted	10	7/8" & 1-1/8"	11.25"
ACU590-2	Wheel Guard - Stud Piloted	10	3/4"	11.25"
ACU590-3	Wheel Guard - Hub Piloted	10	22MM	11.25"
ACU790-2	Wheel Guard - Hub Piloted	8	22MM	10.83"



ACU590-3

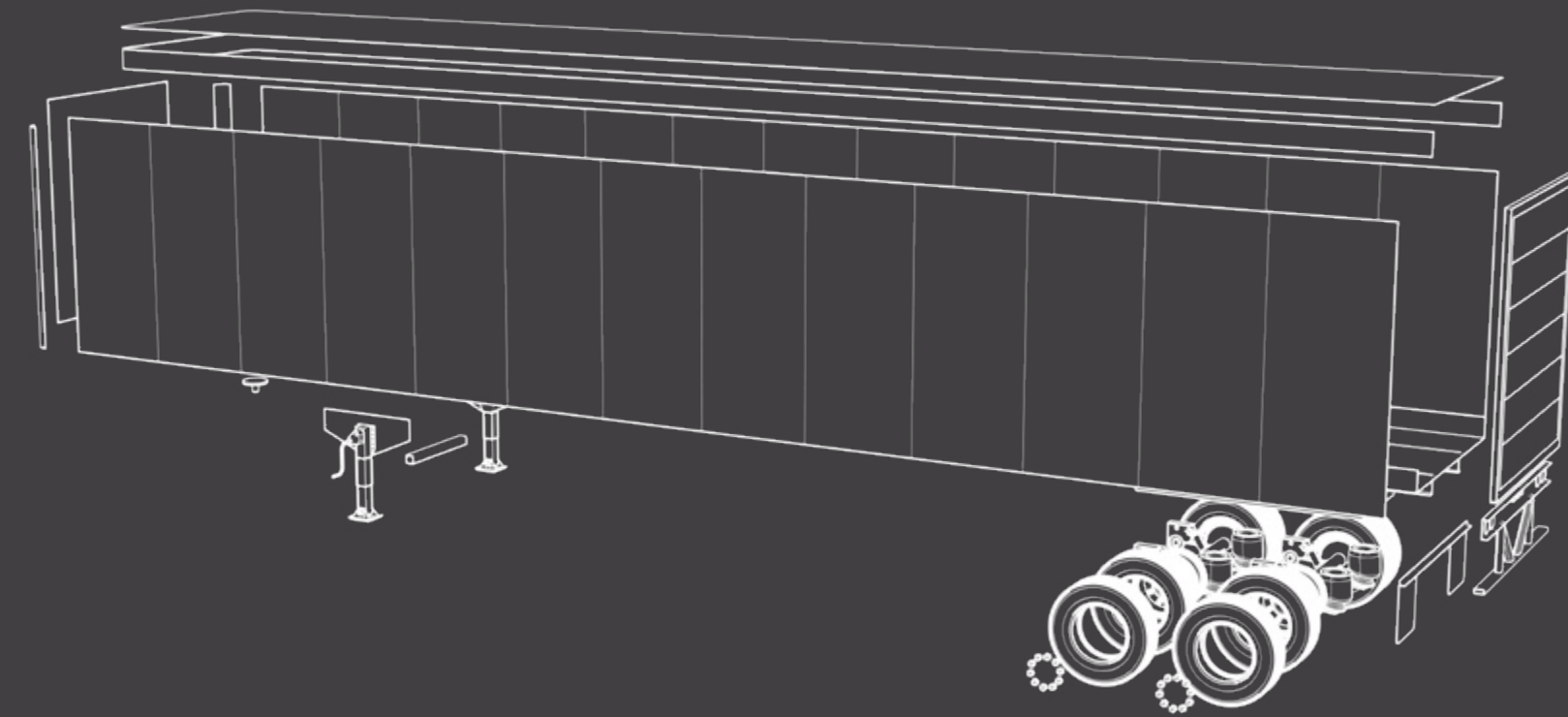


Accuride Corporation manufactures wheels, wheel end, and braking components for commercial and passenger vehicles. Our lean global manufacturing footprint means Accuride is trusted by original equipment manufacturers and the aftermarket to deliver the best products, and deliver them on time.

Our products include steel and aluminum commercial vehicle wheels and wheel-end components and assemblies. These products are marketed under some of the industry's most recognized business and brand names: Accuride Wheels and Accuride Wheel End Solutions.



NEWLIFE
HEAVY DUTY TRAILER PARTS



Aerodynamic
Products



BNXK108581.....16	CE4081005.....119	CT64645.....234, 239, 240	F36261.....12
BNXK109326.....16	CE4081024.....119	CT64683.....236, 240	F5204515FQ.....60
BNXK109808.....16	CE4081055X.....119	CT64692.....238, 241	FC20-1443.....60
BNXK129276.....47	CE4081060X.....119	CT64693.....238, 241	FC20-4515FQ.....60
BNXK129605.....39	CE4100605.....119	CT64695.....237, 241	FC20-4515TQ.....60
BNXK132352.....39	CHR1612.....285	CT64696.....237, 241	FC20-4515TQN.....60
BNXK149714SC.....52	CHR35058XT.....280	CT64697.....238, 241	FC20-4702QP.....60
BNXK149715SC.....52	CHR35066.....280	CT65593.....234, 240	FC20-4704QPN.....60
BNXK181268.....16	CHR35103.....280	CT65807.....233, 239, 240	FC20-4707QP.....60
BNXK221564.....16	CHR42623.....279	CT66666.....234, 240	FC20-4709.....60
BNXK221570.....16	CHR42627.....279	CT67473.....235, 240	FC20-4709-2.....60
BNXOR229859X.....21	CHR42627XT.....279	CT67586.....236, 240	FC20-4711QP.....60
BNXOR275491X.....23	CHR46300.....279	CT67588.....236, 240	FC20-4715QP.....60
BNXOR289714X.....21	CHR46300XT.....279	CT68151.....236, 240	FC20-4718QP.....60
BPCB5500.....177	CHR46305.....279	CT73746.....236, 240	FC20-4720QP.....60
BPCWC1085H.....176	CHR47691XT.....280	CT73913.....238, 241	FC23-4515FQ.....60
BPCWC6096A.....176	CHR47693.....280	CT75741.....234, 239, 240	FC23-4515TQ.....60
BR4.....278	CHR47697.....280	CYCC-1.....75	FC23-4515TQN.....60
BR17.....278	CHR450799.....285	CYCC-10.....75	FC23-4707QP.....60
BR28682.....278	CON1004588.....279	CYCC-30.....75	FC23-4707QPN.....60
CE17435.....119	CON10009920.....61	CYCC-33V.....75	FC23-4709.....60
CE17446.....119	CON10012097.....61	CYCC-34.....75	FC23-4709-2.....60
CE17470.....119	CON10045885.....280	CYCC-35.....75	FC23-4711QP.....60
CE17511.....119	CON10045887.....280	CYCC-108C.....75	FC23-4715QP.....60
CE17591.....119	CON10045889.....279	CYCC-111C.....75	FC23-4718QP.....60
CE22550.....119	CON10081828.....61	CYCC-120.....75	FC23-4720QP.....60
CE49147.....128	CON10082074.....49	CYCC-121.....75	FC212E.....68
CE49514.....128	CON10082217.....284	CYCC-331.....75	FC216E.....68
CE49520.....128	CON10082219.....284	CYCC-392.....75	FC227FH.....68
CE49545.....128	CON10082226.....284	CYCC-400.....75	FC230FH.....68
CE49563.....128	CON10082227.....284	CYCC-661.....75	FC430FH.....67
CE49580.....128	CON10082230.....284	CYCPYNVOC15.....75	FC01073.....40
CE49582.....128	CON10082231.....284	CYCPYSFR11.....75	FC01074.....40
CE49601.....128	CON10082251.....283	DEF25.....72	FC01140.....40
CE49603.....128	CON10082252.....283	DEFD.....72	FC01141.....40
CE49607.....128	CON10082255.....283	DL-BU-1.....151	FC5329.....19
CE65004.....126	CON10082256.....283	DL-NH-LH.....151	FC5335.....19
CE65012.....126	CON10083398.....284	DL-NH-RH.....151	FC5336.....19
CE65026.....126	CON10083400.....284	DR-1-PLUS.....66	FC5338.....19
CE65028.....126	CON10083402.....284	DR-2.....66	FC5341.....19
CE65029.....126	CON10083516.....284	E30ST.....120	FC5342.....19
CE65031.....126	CON10085621.....49	E50ST.....120	FC10211.....40
CE65033.....126	CON10086804B.....284	E60ST.....120	FC10212.....40
CE65035.....126	CT64254.....233, 239, 240	E5991.....287	FC12104.....30
CE65125.....126	CT64266.....236, 240	EC53AB.....76	FC12105.....30
CE65126.....126	CT64269.....235, 240	EC1055AB.....76	FC22010-40.....98
CE65127.....126	CT64284.....233, 239, 240	EM-801.....69	FC022105.....23
CE65128.....126	CT64287.....235, 240	EUCE4329.....22	FC28600.....20
CE4060635.....119	CT64288.....237, 241	EUCE9020.....287	FC28601.....20
CE4060638.....119	CT64394.....235, 240	F520-4515TQ.....60	FC65225.....23
CE4060640.....119	CT64395.....235, 240	F520-4704QP.....60	FC065624.....23
CE4080560.....119	CT64397.....234, 240	F523-1443.....60	FC101191.....236, 240
CE4080625.....119	CT64421.....233, 239, 240	F523-4515FQ.....60	FC108050.....233, 239, 240
CE4080630.....119	CT64439.....235, 240	F523-4515TQ.....60	FC108091.....233, 239, 240
CE4080797.....119	CT64456.....233, 239, 240	F523-4704QP.....60	FC108204.....233, 239, 240
CE4080830.....119	CT64636.....234, 239, 240	F04827.....177	FC108708.....233, 239, 240
CE4080855.....119	CT64638.....233, 239, 240	F36161.....12	FC108709.....234, 239, 240

FC108713.....234, 239, 240	FCP20170.....98	GRT82-1016.....99	GRT77933.....110
FC108729.....234, 239, 240	FCP20172.....98	GRT82-5702.....118	GRT78194.....110
FC108755.....234, 240	FCP20310.....98	GRT82-5722.....118	GRT67000.....101
FC109082.....235, 240	FCP20312.....98	GRT82-6717.....118	GRTG4002.....107
FC109265.....237, 241	FCP40100.....98	GRT82-6718.....118	GRTG4003.....109
FC109270.....235, 240	FCP40101.....98	GRT82-6721.....118	GT-1101.....174
FC109580.....235	FCP40102.....98	GRT82-6723.....118	GT-2036.....177
FC109780.....235, 240	FCP40103.....98	GRT87-7000.....96	GT-2601.....13
FC109781.....236, 240	FCP40230.....98	GRT87-7002.....96	GT-2601WS.....13
FC109807.....236, 240	FCP40240.....98	GRT87-7010.....96	GT-2602.....13
FC109974.....236, 240	FCP40250.....98	GRT47072.....109	GT-2602WS.....13
FC109978.....236, 240	FCP40260.....98	GRT47073.....109	GT-2603.....13
FC229635.....20	FCP50040.....98	GRT47163.....109	GT-2604.....13
FC275491.....23	FCP50044.....98	GRT47242.....109	GTMGT-1002WHT.....174
FC289714.....21	FCP50100.....98	GRT47243.....109	GTMGT-1317.....150
FC801266.....23	FCP50101.....98	GRT47463.....109	GW90X90WH.....152
FC810019.....40	FCP50230.....98	GRT47962.....109	GW98X107WH.....152
FC7130180.....19	FCP50240.....98	GRT47963.....109	H43001.....67
FCB005-890.....267	FCP80172.....98	GRT47972.....109	H43002.....67
FCB010-910-002.....260	FP12KIT.....73	GRT49042.....110	HB-1156-6.....149
FCB015-902.....274	FP100-Bulk.....76	GRT49082.....110	HB-1156-6-P.....149
FCB025-211.....264	FP200.....73	GRT49142.....110	HD200.....278
FCB025-214.....264	FP620.....73	GRT49162.....110	HD201.....278
FCB025-707.....264	FT-4515C.....60	GRT49333.....109	HD203.....278
FCB025-753-001.....265	G5-170X.....129	GRT52922.....107	HD205.....278
FCB025-754.....264	G5-280X.....129	GRT53102.....107	HD206.....278
FCB025-807.....264	G5-281X.....129	GRT53252.....107	HD208.....278
FCB025-880.....265	G5-407X.....129	GRT53252-3.....107	HLX1810000.....17
FCB028-221.....258	G5-675X.....129	GRT53292.....107	HLX40010143.....40
FCB030-205.....263	G5-676X.....129	GRT53302.....107	HLX40010211.....40
FCB030-214.....263	G5-677X.....129	GRT53552.....107	HLX40010212.....40
FCB030-220.....263	GAB83126.....242	GRT53962.....107	HLX40010305.....40
FCB030-800.....263	GAB83128.....242	GRT53963.....109	HLX40020211.....40
FCB030-865.....263	GAB83203.....242	GRT54163.....109	HLX40020212.....40
FCB030-875.....263	GAB83389.....242	GRT54173.....109	HLX48100225.....21
FCB030-919-001.....263	GAB85000.....242	GRT54332.....107	HLX48100267.....21
FCB030-919-002.....263	GAB85062.....242	GRT54342.....107	HLX90054007.....21
FCB035-301.....265	GAB85066.....242	GRT54492.....107	HLX90054074.....21
FCB035-750.....264	GAB85067.....242	GRT60001.....108	HLX90054075.....21
FCB035-802.....265	GAB85069.....242	GRT60331.....108	HLX90054088.....20
FCB040-807.....267	GAB85084.....242	GRT60381.....108	HLX90054630.....21
FCB040-883.....267	GAB85724.....242	GRT60671.....108	HLX90554107.....21
FCB045-220-001.....267	GAB85909.....242	GRT60681.....108	HLX90554615.....22
FCB045-222.....267	GAB85910.....242	GRT60721.....108	HLX90555100.....21
FCB045-890.....268	GAB85918.....242	GRT62091.....108	HLX90555396.....21
FCB045-910.....268	GAB85919.....242	GRT62171.....108	HLXAL364040.....17
FCB045-911.....268	GAB85931.....242	GRT62211.....108	HLXAL364071.....17
FCB050-220-001.....268	GAB85938.....242	GRT62271.....108	HLXAL430614.....17
FCB050-756.....269	GAB85939.....242	GRT62691.....108	HLXAL430624.....17
FCB050-883.....269	GAB85954.....242	GRT66910.....101	HLXAL430664.....17
FCB055-805.....271	GD-CM01.....259	GRT66931.....101	HLXAL430668.....17
FCB960-101-624.....262	GP90X90WH.....152	GRT67002.....101	HLXAL918604.....17
FCMX22T-L.....53	GP90X100WH.....152	GRT77353.....110	HLXAL918606.....17
FCMX22T-R.....53	GP98X100WH.....152	GRT77362.....110	HLXAL919338.....16
FCP2247SC.....176	GP98X105WH.....152	GRT77363.....110	HLXAL919339.....16
FCP20080.....98	GP98X107WH.....152	GRT77463.....110	HLXAL919348.....17
FCP20082.....98	GRT81-2300FX.....34	GRT77913.....110	HLXAL919352.....17



Manufacturing Partners



3-Year Limited Brake Shoe Warranty

The FleetCraft thermo-finishing paint process offers superior bonding and protection for our brake shoes. Our process offers a long-lasting durable coating that ensures superior performance in all environments. Due to this superior process, FleetCraft offers a 3-year limited warranty on our brake shoes.

The limited brake shoe warranty covers 3 years from date of manufacture, provided proof of purchase is present with the return. The limited brake shoe warranty covers all brake shoe product manufactured at our facility using our thermo-finishing and riveting process.

The 3-year limited brake shoe warranty is non-transferable.

Warranty Coverage Details

This brake shoe warranty DOES NOT cover:

- Failure of a product due to a defect in the products design/application or where the plans were altered from original equipment.
- Any claims due to misuse, accident, abuse, neglect, normal wear, abnormal wear, or improper application.
- Claims where the friction pad is worn below the wear indicator (if applicable) or worn to the point where the rivets touch the drum surface.
- Claims where the product's failure is caused by lack of service or proper maintenance.
- Brakes that are worn out due to improper installation or failed installation of other brake products, causing excessive strain or use on the remaining wheels on the vehicle.
- Brakes contaminated with foreign minerals and materials, including grease from blown seal, cement, gravel, and other select foreign materials.
- Warrant-able items that are not returned to FleetCraft within 90 days of the initial warranty incident.

THIS LIMITED WARRANTY IS IN LIEU OF AND EXCLUDES ALL OTHER WARRANTIES, ARISING BY OPERATION OF LAW OR OTHERWISE, INCLUDING ANY IMPLIED WARRANTY OF MERCHANTABILITY OR FITNESS FOR A PARTICULAR PURPOSE, AND IN NO EVENT WILL FLEETCRAFT BE LIABLE FOR INDIRECT, SPECIAL, PROGRESSIVE, INCIDENTAL OR CONSEQUENTIAL DAMAGES OR ANY COST OUTSIDE THE LIMITATIONS INCLUDING, BUT NOT LIMITED TO, COSTS INCURRED FOR SERVICE CALLS, TOWING, OR DOWNTIME.

Warranty Submission Details

All brake warranties must be issued an RGA number prior to their return and be accompanied with a warranty tag stating the concern of the goods, customer name, and customer location.

All warranty returns are to be sent to the following address:

Warranty Return # _____
 FleetCraft Brake Shop
 425 Gordon Industrial Ct.
 Byron Center, MI 49315



NEW LIFE TRANSPORTATION PARTS CENTER

TERMS AND CONDITIONS OF SALE

(Effective April 2022)

1. Offer and Acceptance.

(a) These New Life Transportation Parts Center Terms and Conditions of Sale (these "**Terms and Conditions**"), together with the terms of any other document in which these Terms and Conditions are attached or are incorporated (collectively, this "**Agreement**") apply to (i) any quotation, proposal, or offer to sell ("**Offer**") made by Hinton Transportation Investments, Inc. d/b/a New Life Transportation Parts Center ("**Seller**") for the sale of Seller's goods and/or services (collectively, the "**Goods**"); (ii) any purchase order or related attachments, schedules, exhibits, designs and drawings (collectively, an "**Order**"), issued by the buyer-party purchasing the Goods or that party's subsidiaries and affiliates (collectively, "**Purchaser**"); and (iii) any written master purchaser or supply agreement executed by Seller and Purchaser for the sale of the Goods. Purchaser accepts, and will be deemed to be bound by, the terms of this Agreement upon the first to occur of the following: (A) Purchaser's written acknowledgment of this Agreement in writing; (B) Purchaser placing an Order with Seller; (C) delivery of the Goods by Seller pursuant to any Order or similar type of request by Purchaser; (D) acceptance of the Goods by Purchaser; or (E) payment for the Goods by Purchaser.

(b) Purchaser's acceptance is expressly limited to the terms of this Agreement and this Agreement exclusively governs the sale of Goods by Seller. Any reference in this Agreement to any request for quotation, request for proposal, or any other similar bid document made by Purchaser is solely for the purpose of incorporating the description and specifications of the Goods contained in such document, but only to the extent that such description and specifications do not conflict with the description and specifications contained in this Agreement or otherwise agreed to or accepted by Seller in writing. Any additional or different terms proposed by Purchaser, whether in Purchaser's Order or otherwise (including, without limitation, Purchaser's general terms and conditions of purchase), or any attempt by Purchaser to vary the terms of this Agreement in any way, are expressly rejected by Seller, are not part of this Agreement and do not apply to the sale of Goods, and are not binding on Seller without the express prior written acceptance of such terms by Seller's authorized representative; *provided, however*, Seller will be deemed to accept those portions of an Order issued by Purchaser that contain terms and conditions that are same as the terms and conditions set forth in this Agreement. The parties have agreed and it is their intent that the "battle of the forms" described in Section 2-207 of the Uniform Commercial Code will not apply to this Agreement or to any Order or other purchasing document of Purchaser relating to this Agreement.

(c) None of the terms, provisions or conditions of this Agreement may be modified, altered or added to except by written instrument signed by a duly authorized representative of Seller and Purchaser. Any agreed upon change may be subject to an equitable adjustment in the purchase price and/or time for performance.

2. **Duration.** Unless otherwise agreed by Seller in writing, the term of this Agreement shall take effect immediately and will expire twelve (12) months thereafter (the "**Term**"). Notwithstanding the expiration or termination of this Agreement, Purchaser will be responsible for the payment of any finished Goods, work-in-progress, and all costs incurred or other materials made or committed for this Agreement as a result of an Order issued by Purchaser to Seller.

3. **Quantity.** Even if this Agreement does not require Seller to supply a specified quantity of Goods or an Order is designated as "blanket" or does not contain a specific quantity, this Agreement is not a requirements contract and Seller is only obligated to supply Purchaser the Goods in an amount not less than one (1) unit. Each Order must be separately accepted by Seller to be binding and Seller may accept such Order by agreeing to deliver the Goods in writing or delivering the Goods. Any variation in quantities shipped over or under the quantities ordered (not to exceed 10%) will constitute compliance with Purchaser's Order; provided, however, the stated price will be equitably adjusted to account for any quantities under shipped.

4. Price and Payment.

(a) **Price.** Prices for the Goods will be as agreed by Seller and Purchaser in a signed writing or, if there is no writing signed by the Parties as to the price of the Goods, the price specified in the Offer. All Offers are open for acceptance by Purchaser for thirty (30) days from the date Seller issues the Offer to Purchaser. After thirty (30) days, prices and lead times set forth in the Offer are subject to change without notice and may be re-quoted. All Offers must be in writing and verbal Offers are not binding on Seller unless confirmed in a writing signed by Seller. Any prices shown in any other material of Seller (including catalogs, brochures, and websites) are subject to change without notice. Unless otherwise agreed by Seller in a signed writing, Seller's prices do not include transportation, freight, handling, special handling, delivery and insurance costs or any all foreign or domestic federal, state, provincial and local taxes (including sales, use, value-added and excise taxes), assessments, tariffs, duties, and any similar fiscal contribution related to the sale, use, shipment, transportation, or delivery of the Goods, all of which shall be the sole responsibility of Purchaser and payable by Purchaser (whether directly or by reimbursement to Seller) in addition to Seller's price.

(b) **Payment.** Purchaser will pay for Goods without setoff, recoupment, or deduction of any kind, in U.S. funds (or the currency agreed upon by Purchaser and Seller in a signed writing). Unless otherwise set forth in a writing signed by Seller, payment for the Goods will be due and payable within **thirty (30) days** following the earlier of (i) the date of Seller's invoice or (ii) Purchaser's receipt of the Goods. Purchaser will not be entitled to any discount for early payment. Notwithstanding the preceding sentence, and unless set forth in a signed writing by Seller, a down payment of thirty-five percent (35%) for payment due under an Order must be paid by Seller to Purchaser (and will be a condition precedent to acceptance of the Order) for (1) all Orders that Seller considers to be large as determined by Seller and communicated by Seller to Purchaser; (2) Purchaser's first Order with Seller; and (3) any other Order that Seller, in its reasonable discretion, determines requires such down payment. If payment is not made as provided in this Agreement, Seller may, at its option and without notice: (A) suspend performance of its obligations under this Agreement, including, without limitation, delay or suspend shipments to Purchaser until such breach has been cured; (B) require payment in advance as to future deliveries or require security to ensure payment; (C) demand return from Purchaser of any Goods for which payment has not been made; or (D) cancel this Agreement. If Seller's performance or shipment is delayed or suspended at the request of Purchaser, payment shall become due on the date when the Seller is prepared to make shipment and such payments shall be made based on the purchase price and the percentage of completion. All amounts due to Seller but not paid by Purchaser on the due date will bear interest on the unpaid balance of amounts due at a rate that is equal to one percent and one-half percent (1.5%) per month, or the maximum rate permitted by law, until paid. Purchaser agrees to indemnify and hold harmless Seller from any and all legal fees and costs that may be required to collect any overdue balances. If deliveries of Goods are to be made in installments, the purchase price of each installment shall, at Seller's option, be recoverable as a separate sale. The remedies contained in this **Section 4** are cumulative and shall be in addition to any other remedies available to Seller under applicable law.

5. Delivery; Import and Export; Risk of Loss.

(a) Delivery dates are estimates only and Seller will use commercially reasonable efforts to deliver the Goods on dates requested by Purchaser. All delivery dates are subject to Seller's lead times as communicated by Seller to Purchaser. Seller shall not be liable for any delay in delivery of any kind, regardless of cause or extent. All sales and delivery dates are contingent on the ability of Seller and its suppliers and manufacturers to secure any applicable raw materials and the absence of any event of Force Majeure (as defined below). Unless otherwise agreed in writing by Seller, **Seller will deliver the Goods EX WORKS (Incoterms 2020) to Purchaser's carrier at the designated manufacturing facility. Title and risk of loss to the Goods will pass to Purchaser when the Goods are placed in the possession of Purchaser's carrier; provided, however, Seller shall retain a purchase-money security interest in the Goods as security until payment in full is received. Seller assumes no liability for any loss or damage to Goods during shipment or transportation, whether from the manufacturing facility and regardless of whether Purchaser or Seller is responsible for the transportation of the Goods.** Purchaser must inspect shipments before shipment or during unloading to identify any such loss or damage. Any claims for lost or damaged Goods by Purchaser must be made to the applicable third-party carriers or freight forwarders, as applicable; provided, however, if Seller is responsible for the transportation then Seller will provide Purchaser commercially reasonable assistance in the submission of the claim. Seller may, at its option, deliver all Goods in one lot or several lots from time to time, as long as such delivery are within the time frame set forth in the Order or this Agreement, as the case may be. To the extent delivery is in several lots, Purchaser agrees that the prices for the Goods can be apportioned and can be demanded for in each lot.

(b) Unless agreed in writing by Seller, Purchaser or its designated agent: (i) will be the importer and exporter of record on all cross-border transfers, returns, and others shipments of Goods, (ii) will not list Seller on any import, export, or other customs documentation, and (iii) will be directly responsible for ensuring that such cross-border transfers and shipments of the Goods comply with all export, import and other applicable laws (including export licensing, shippers export declaration, and export invoice). As the importer and exporter of record, Purchaser or its designated agent will be responsible for payment of any taxes, duties or fees, and will be responsible for all required recordkeeping, registration, reporting and licensing. Seller will incur no liability arising from any assistance Seller provides in preparing any documentation or otherwise.

(c) Title and risk of loss to the Goods will pass to Purchaser when the Goods are placed in the possession of Purchaser's carrier; provided, however, Seller shall retain a purchase-money security interest in the Goods as security until payment in full is received. Seller assumes no liability for any loss or damage to Goods during shipment or transportation, whether from the manufacturing facility and regardless of whether Purchaser or Seller is responsible for the transportation of the Goods. Purchaser must inspect shipments before shipment or during unloading to identify any such loss or damage. Any claims for lost or damaged Goods by Purchaser must be made to the applicable third-party carriers or freight forwarders, as applicable; provided, however, if Seller is responsible for the transportation then Seller will provide Purchaser commercially reasonable assistance in the submission of the claim. Seller shall not be responsible for the accuracy of shipping weights, if any, listed on any transportation documents. Such weights are given only for the purpose of enabling Purchaser to estimate transportation cost.

6. **Force Majeure.** Seller will not be held liable, or deemed in default, for any failure or delay in fulfilling or performing any of its obligations under this Agreement if such failure or delay is caused by, or results from, acts beyond Seller's reasonable control, whether or not foreseeable, including, without limitation, fire, flood, drought, acts of nature, war, hostilities, terrorist threats or acts, riot or other civil unrest, strikes, lockouts, slowdowns or other labor unrest, delays in transportation, shortage of power, unavailability of raw materials, increased costs in raw materials or related components (including any increase in costs by governmental action that were not in place at the commencement of this Agreement), embargo, government action (including any law, rule, order or action of any court or instrumentality of the federal or of any state government or Seller's good faith compliance with any governmental directive concerning the health and safety of Seller's personnel)), earthquake, explosion, emergency (whether national, regional, state, or local), pandemic, epidemic, plague, disease, virus, other outbreak, quarantine or travel restrictions (collectively, the "**Force Majeure**"). A Force Majeure being experienced by Seller's subcontractors or third party manufacturers (or any other party in Seller's supply chain) will be deemed a Force Majeure being experienced by Seller. During the period of Force Majeure, at Seller's option, either (i) the date of delivery shall be extended for a period equal to the time lost due to any Force Majeure, or (ii) any quantity of Goods affected by a Force Majeure shall be deducted from the total quantity required to be sold to Purchaser. Seller, during any period of shortage due to a Force Majeure, may allocate its available supply of Goods among itself and its customers on whatever basis it deems desirable and Purchaser agrees that Seller is not required to mitigate any impact of the Force Majeure.

7. **Acceptance and Return of Goods.** Purchaser will inspect the Goods immediately upon receipt. Unless Purchaser provides Seller with written notice stating with specificity any defects, nonconformities, or shortage relating to the Goods within the **forty-eight (48) hours** following Purchaser's receipt of the Goods, such Goods will be deemed fully and finally inspected, checked and accepted by Purchaser, and any such claims for defects, nonconformities, or shortages will be waived by Purchaser. Upon acceptance of Goods, Purchaser waives any right to revoke such acceptance for any reason, whether known or unknown to Purchaser at the time of acceptance. Seller has a reasonable period of time to cure any nonconformity. **Goods may not be returned without Seller's prior written return authorization and, once authorized, Purchaser may return the Goods Delivery Duty Paid (Incoterms 2020) to the destination determined by Seller and in accordance with instructions issued by Seller, including provision of the packing list and corresponding Seller invoice.** Failure to follow Seller's return procedures may result in lost Goods, delays, additional service, restocking charges, warranty denial, or refusal of a shipment. Seller has the right to reject Goods returned without Seller's approval.

8. **Cancellation and Changes.** Purchaser may not cancel Orders, change the timing of scheduled shipments, or direct temporary suspension of scheduled shipments without Seller's prior written consent. Cancellations of Orders or rescheduling of shipments shall be subject to cancellation charges which will include (i) payment of any finished Goods, work-in-progress, and all other materials made, purchased by Seller, or otherwise committed for the Order; (ii) any liability, damages, or claims incurred by Seller arising from such cancellation; and (iii) the gross profit on the cancelled portion of the Orders, which amount will not equal less than fifteen percent (15%) of the unpaid portion price. The cancellation charges described in the preceding sentence are not a penalty or liquidated damages, but are in recognition of the lost opportunity cost to Seller. All changes to Orders must be submitted by Purchaser to Seller in writing and will not be effective unless and until Seller consents in writing to the change(s). Seller will advise Purchaser in writing of the price and/or delivery schedule impact, if any, of the change request. Seller will not be required to accept any changes without Purchaser's written acknowledgement of any price and/or delivery schedule adjustments, if any.

9. **Allocation.** Seller will not be required to sell a greater quantity of Goods than Seller or Seller's subcontractors has available or has allocated for this Agreement. If Seller is unable to supply the total demands for any Goods, Purchaser acknowledges and agrees that Seller may allocate its available supply among its customers in any manner Seller deems fair and equitable. **SELLER WILL NOT BE OBLIGATED UNDER ANY CIRCUMSTANCES TO PURCHASE GOODS FROM PARTIES OTHER THAN ITS DESIGNATED SUPPLIERS OR MANUFACTURES TO MEET PURCHASER'S DEMANDS, NOR WILL IT BE LIABLE FOR ANY DAMAGES OR CLAIMS ARISING THEREFROM.**

10. **Intellectual Property.** Except to the extent provided in a separate written agreement between Purchaser and Seller,

this Agreement will not be deemed to transfer, assign, or license any right, title, or interest in and to, any idea, invention, concept, discovery, work of authorship, patent, copyright, trademark, trade secret, know-how, formula, design, engineering drawing, device, compilations of information, manufacturing methods or processes, tooling or other intellectual property owned by a party or its third party licensors (collectively "**Intellectual Property**"). Notwithstanding the foregoing, each party hereby provides the other party with a limited, revocable, and royalty free license to such party's Intellectual Property solely to extent required for a party to perform its obligations under this Agreement. Purchaser will not use Seller's or its subcontractor's Intellectual Property, in whole or in part, to copy, redesign, reverse engineer, replicate or manufacture (or enable manufacture by itself or any third party) all or any portion of the Goods.

11. **Confidentiality.** All Intellectual Property, and all other confidential and proprietary information provided by a party (the "**Disclosing Party**") to another party (the "**Receiving Party**") under this Agreement including, without limitation, any samples, drawings, know-how, processes, and other technical, business, or financial information, whether provided orally, in writing, by demonstration, or otherwise (collectively, "**Confidential Information**"): (a) is owned by the Disclosing Party; (b) must be kept confidential by Receiving Party and may not be disclosed by Receiving Party to third parties without the express prior written consent of Disclosing Party; *provided, however*, Receiving Party may disclose Disclosing Party's Confidential Information to Receiving Party's employees, attorneys, agents, and subcontractors who have a "need to know" the Confidential Information for purposes of carrying out Receiving Party's obligations under this Agreement as long as such individual and entities are bound by confidentiality terms no less restrictive than those contained in this Agreement; and (c) may not be used by Receiving Party other than is required for Receiving Party to perform its obligations under this Agreement. The confidentiality restrictions in this Section 11 do not apply to information which is (i) already known by the Receiving Party prior to the date of this Agreement and without breach of the confidentiality restriction that the Receiving Party was subject; (ii) acquired by the Receiving Party from a third party which was not, to the knowledge of Receiving Party, under an obligation to the Disclosing Party not to disclose such information; (iii) which is or becomes publicly available through no breach by Receiving Party of confidentiality restrictions to which such Party is or was subject; or (iv) independently developed by the Receiving Party without the use of the Disclosing Party's Confidential Information. Notwithstanding the above, a Receiving Party may disclose Disclosing Party's Confidential Information if required by a judicial or government request, requirement, or order as long as (A) to the extent not prohibited by law, Receiving Party gives Disclosing Party written notice prior to such disclosure and (B) Disclosing Party only discloses that portion of Confidential Information required to comply with such requirement, request, or order. Upon the termination or expiration of this Agreement, Receiving Party agrees to return, or destroy (to the extent feasible), Disclosing Party's Confidential Information in Receiving Party's possession; provided, however, Receiving Party may retain one (1) copy of Confidential Information to the extent required to comply with any legal obligation as long as Receiving Party continues to comply with the provisions of this Agreement.

12. **Warranty.**

(a) **Seller Warranty.** Subject to the limitations set forth in this Agreement, and for a period of one (1) day following Seller's delivery of the Goods (the "**Warranty Period**"), Seller warrants to Purchaser (and not to any third party) the Goods will be free from significant defects in material and workmanship (the "**Seller Warranty**"); provided, however, (i) all Goods sold by Seller are manufactured by third party suppliers and manufactures and (ii) the Seller Warranty will be no greater than the warranties provided Seller's suppliers or manufacturer and apply only to the extent that Seller can recover from such third party on their applicable warranty (and Seller will use all commercially reasonable efforts to do so). Upon request, Seller will assign (to the extent assignable) any warranty provided by Seller's supplier or manufacturer to Purchaser. **THE SELLER WARRANTY IS IN LIEU OF ALL OTHER WARRANTIES, EITHER EXPRESS, STATUTORY OR IMPLIED, WHICH ARE HEREBY DISCLAIMED AND EXCLUDED BY SELLER, INCLUDING WITHOUT LIMITATION, ANY WARRANTY OF MERCHANTABILITY, FITNESS FOR A PARTICULAR PURPOSE OR USE, AND ALL OBLIGATIONS OR LIABILITIES ON THE PART OF SELLER FOR DAMAGES ARISING OUT OF OR IN CONNECTION WITH THE USE, REPAIR, OR PERFORMANCE OF THE GOODS.** No third party, including any employee or agent of Seller, is authorized to make any representation, promise, or warranty concerning the Goods and any statements made by those parties are not binding on Seller unless in writing signed by an authorized representative of Seller. Any technical advice furnished by Seller or its employees or agents is for Purchaser's convenience only and Seller assumes no obligation or liability for the advice given or the results obtained from that advice. A defect in one Good shall not be deemed a defect in all the Goods of a shipment unless each Good is shown to have a defect.

(b) **Warranty Claims.** In order to make a claim under the Seller Warranty, Purchaser must (i) notify Seller, in writing, of the alleged claim or defect and such writing must (A) set forth with specificity the nature of the defect in the Seller Warranty and (B) be delivered to Seller no later than ten (10) business days following Purchaser's discovery of the defect. Seller reserves the right to test or inspect the Goods to confirm the defect as a condition to any remedy under the Seller Warranty.

(c) **Exclusive Remedy. PURCHASER'S SOLE AND EXCLUSIVE REMEDY AGAINST SELLER, AND**

SELLER'S SOLE OBLIGATION FOR ANY AND ALL CLAIMS, WHETHER FOR BREACH OF CONTRACT, WARRANTY, TORT (INCLUDING NEGLIGENCE), OR OTHERWISE, SHALL BE LIMITED TO, AT SELLER'S OPTION, SELLER REPLACING THE NON-CONFORMING GOODS WITH CONFORMING GOODS, REPAIRING THE APPLICABLE GOODS, OR REFUNDING THE PURCHASE PRICE PAID BY PURCHASER TO SELLER FOR THE APPLICABLE GOODS. IN NO EVENT SHALL SELLER HAVE ANY LIABILITY FOR DAMAGES IN AN AMOUNT EXCEEDING THE PURCHASE PRICE OF THE APPLICABLE GOODS.

(d) Withdrawal of Goods. If Seller determines that any Goods sold to Purchaser may be defective, at Seller's request, Purchaser will withdraw all similar Goods from sale and, at Seller's option, either return such Goods to Seller or destroy the Goods and provide Seller with written certification of such destruction.

13. Limitation of Liability. IN NO EVENT SHALL EITHER PARTY BE LIABLE TO THE OTHER PARTY OR ANY THIRD PARTY, WHETHER IN CONTRACT OR IN TORT OR UNDER ANY OTHER LEGAL THEORY, FOR (I) ANY SPECIAL, INDIRECT, INCIDENTAL, EXEMPLARY OR CONSEQUENTIAL LOSSES OR DAMAGES, INCLUDING, BUT NOT LIMITED TO, ANY DIRECT OR INDIRECT LOST PROFITS OR REVENUE REGARDLESS OF WHETHER SUCH LOSS OR DAMAGE WAS FORESEEABLE OR A PARTY WAS ADVISED OF THE POSSIBILITY OF SUCH POTENTIAL LOSS OR DAMAGE OR (II) ANY DIRECT DAMAGES IN AN AMOUNT EXCEEDING THE PRICE PAID OR PAYABLE FOR THE GOODS AT ISSUE; PROVIDED, HOWEVER, SELLER SHALL BE ENTITLED TO THE PRICE PAYABLE FOR THE GOODS AND THE FOREGOING SHALL NOT BE DEEMED TO LIMIT SELLER'S RIGHT TO SUCH PRICE EVEN IF SUCH PRICE INCLUDES SELLER'S PROFIT.

14. Termination for Cause. Either party may terminate this Agreement for cause prior to expiration of the Term by providing written notice to the other party specifying the applicable date of termination, upon the occurrence of any one or more of the following events: (a) excluding payment obligations, a party materially breaches this Agreement and does not cure such breach within thirty (30) days after receipt of written notice of such breach; (b) a party fails to make any payment due to the other party under this Agreement on or before the due date; or (c) a party (i) becomes subject, voluntarily or involuntarily, to any proceeding under any domestic or foreign bankruptcy or insolvency law; (ii) is dissolved or liquidated or takes any corporate action for such purpose; (iii) makes a general assignment for the benefit of creditors; or (iv) has a receiver, trustee, custodian or similar agent appointed by order of any court of competent jurisdiction to take charge of or sell any material portion of its property or business. Any termination by a party pursuant to this Section 14 will not constitute a waiver of any of any rights or remedies under this Agreement or otherwise provided by law.

15. Indemnification. To the maximum extent allowed by law, Purchaser will defend, indemnify and hold harmless Seller and its present and future directors, officers, shareholders, members, employees, attorneys, agents, representatives, parents, affiliates, and subsidiaries from and against any and all claims, costs, demands, losses, indirect and direct damages (including lost profits, incidental, consequential, and punitive damages), liabilities, causes of action, judgments, settlements, awards, fines, penalties, assessments, and expenses (including costs of defense, mediation, settlement and reasonable attorneys' and other professionals' fees), however described or denominated, brought by any third party (including, Purchaser's employees, subcontractors, laborers, agents, and assigns) arising out of, incidental to, or resulting from (i) Purchaser's negligence, use, ownership, maintenance, transfer, transportation or disposal of Goods; (ii) any infringement or alleged infringement of the industrial and intellectual property rights of others arising from Purchaser's plans, specifications (including Purchaser's trademarks and brand names) or production of Goods ordered by Purchaser; (iii) any personal injury, bodily injury (including death), or property damages arising out of the use of the Goods; (iv) Purchaser's violation or alleged violation of any federal, state, county or local laws or regulations; (v) any negligent or willful act or omission of Purchaser or its respective subcontractors, agents, employees or other representatives; or (v) Purchaser's breach of this Agreement.

16. General Terms.

(a) Notices. All notices, claims and other communications to required or permitted under this Agreement will be made in writing and will be effective only upon receipt.

(b) Entire Agreement. This Agreement, including any attachments, exhibits or supplements attached hereto, and other matter incorporated herein by specific reference, constitutes the entire agreement between Seller and Purchaser with respect to the subject matter of this Agreement and supersedes all prior or contemporaneous oral or written discussions, understandings, representations and agreements.

(c) Subcontracting. Purchaser expressly agrees that Seller may subcontract all or part of the manufacture of the Goods to a third party subcontractor, supplier, or manufacturer and the manufacture of the Goods by such third party is not a breach of this

Agreement.

(d) Severability. If any clause in this Agreement is determined by a court of competent jurisdiction to be invalid, the invalidity of such clause shall not affect the validity of the remainder of this Agreement.

(e) Remedies. Except to the extent limited by this Agreement, the right and remedies reserved to a party under this Agreement are cumulative and in addition to all other rights and remedies provided by law or equity.

(f) Assignment. Purchaser may not assign this Agreement or assign or delegate its rights or obligations under this Agreement without Seller's prior written consent. Any purported assignment in violation of this Section will be null and void and of no force or effect.

(g) Governing Law; Venue. This Agreement, and all related documents and matters arising out of or relating to this Agreement, are governed by, and will be construed in accordance with, the laws of the State of Michigan, without regard to any conflict of law provisions. The United Nations Convention on Contracts for the International Sale of Goods is expressly excluded from applying to this Order. Purchaser and Seller each irrevocably and unconditionally agree that the sole and exclusive forum, venue, and jurisdiction for any legal or equitable action or proceeding arising out of or in connection with this Agreement will lie in the United States District Court for the Western District of Michigan, the courts in the State of Michigan sitting in Kent County, and any appellate court with jurisdiction over such courts. The parties hereby irrevocably and unconditionally (i) waive any objection which it may have or hereafter have to the laying of the venue of any such suit, action or proceeding and any claim that any such suit, action or proceeding has been brought in an inconvenient forum including, without limitation, any defense of *forum non conveniens*, international comity, or any other defense based on the location of the parties and (ii) submits to the sole and exclusive personal jurisdiction of such courts. To the extent Purchaser is located outside of the United States of America, Purchaser agrees that any breach of this Agreement and any resulting injury will be deemed to occur in the State of Michigan, United States of America.

(h) Relationship of Parties. Seller and Purchaser are independent contracting parties and nothing in this Agreement will make either party the agent or legal representative of the other for any purpose, nor does it grant either party any authority to assume or to create any obligation on behalf of or in the name of the other.

(i) No Third Party Beneficiary. Except as otherwise provided in this Agreement, the parties agree that the rights and interests of the parties under this Agreement are intended to solely benefit Seller and Purchaser.

(j) Interpretation. For purposes of this Agreement (i) whenever the word "including" (or any variation thereof) is used, it is deemed to be followed by the words "without limitation;" (ii) the word "or" is not exclusive; (iii) section headings are for convenience or reference only, and do not affect the meaning of this Agreement; and (iv) any agreement, instrument, statute, law, regulation or rule defined or referred to herein shall be deemed to mean such agreement, instrument, statute, law, regulation or rule as from time to time amended, modified or supplemented, and includes, in the case of agreements and instruments, references to all attachments thereto and instruments incorporated therein. Both Purchaser and Seller are experienced in business and had the opportunity to have this Agreement reviewed by counsel. Accordingly, no provision in this Agreement may be construed against either Purchaser or Seller as the drafting party.

(k) Survival. To the extent that any provisions of this Agreement are meant to remain valid after this Agreement has terminated, expired or otherwise ended, such provisions have continued validity even after termination.

(l) CONSULTATION WITH COUNSEL. PURCHASER AND SELLER ACKNOWLEDGE THAT THEY HAVE BEEN GIVEN THE OPPORTUNITY TO CONSULT WITH COUNSEL OF THEIR CHOICE BEFORE ENTERING INTO THIS AGREEMENT AND ARE DOING SO WITHOUT DURESS, INTIMIDATION, OR COERCION AND WITHOUT RELIANCE UPON ANY REPRESENTATIONS, WARRANTIES, OR COMMITMENTS OTHER THAN THOSE REPRESENTATIONS, WARRANTIES, OR COMMITMENTS SET FORTH IN THIS AGREEMENT.

(m) JURY TRIAL WAIVER. PURCHASER AND SELLER ACKNOWLEDGE THAT THE RIGHT TO TRIAL BY JURY IS A CONSTITUTIONAL ONE, BUT THAT IT MAY BE WAIVED. EACH OF PURCHASER AND SELLER, AFTER CONSULTING (OR HAVING THE OPPORTUNITY TO CONSULT) WITH COUNSEL OF ITS CHOICE, KNOWINGLY, VOLUNTARILY AND INTENTIONALLY WAIVES ANY RIGHT TO TRIAL BY JURY IN ANY ACTION OR OTHER LEGAL PROCEEDING ARISING OUT OF OR RELATING TO THIS AGREEMENT OR ANY OTHER DOCUMENT PERTAINING TO THIS AGREEMENT.

End of New Life Transportation Parts Center Terms and Conditions of Sale



NEWLIFE

HEAVY DUTY TRAILER PARTS



ATLANTA, GA
800.748.7911



CHICAGO, IL
800.968.9777



DALLAS, TX
800.772.5362



GRAND RAPIDS, MI
800.748.0555



MINNEAPOLIS, MN
800.688.3154



OAKLAND, CA
800.771.5536



ONTARIO, CA
909.230.4141



PHILADELPHIA, PA
800.523.6668

